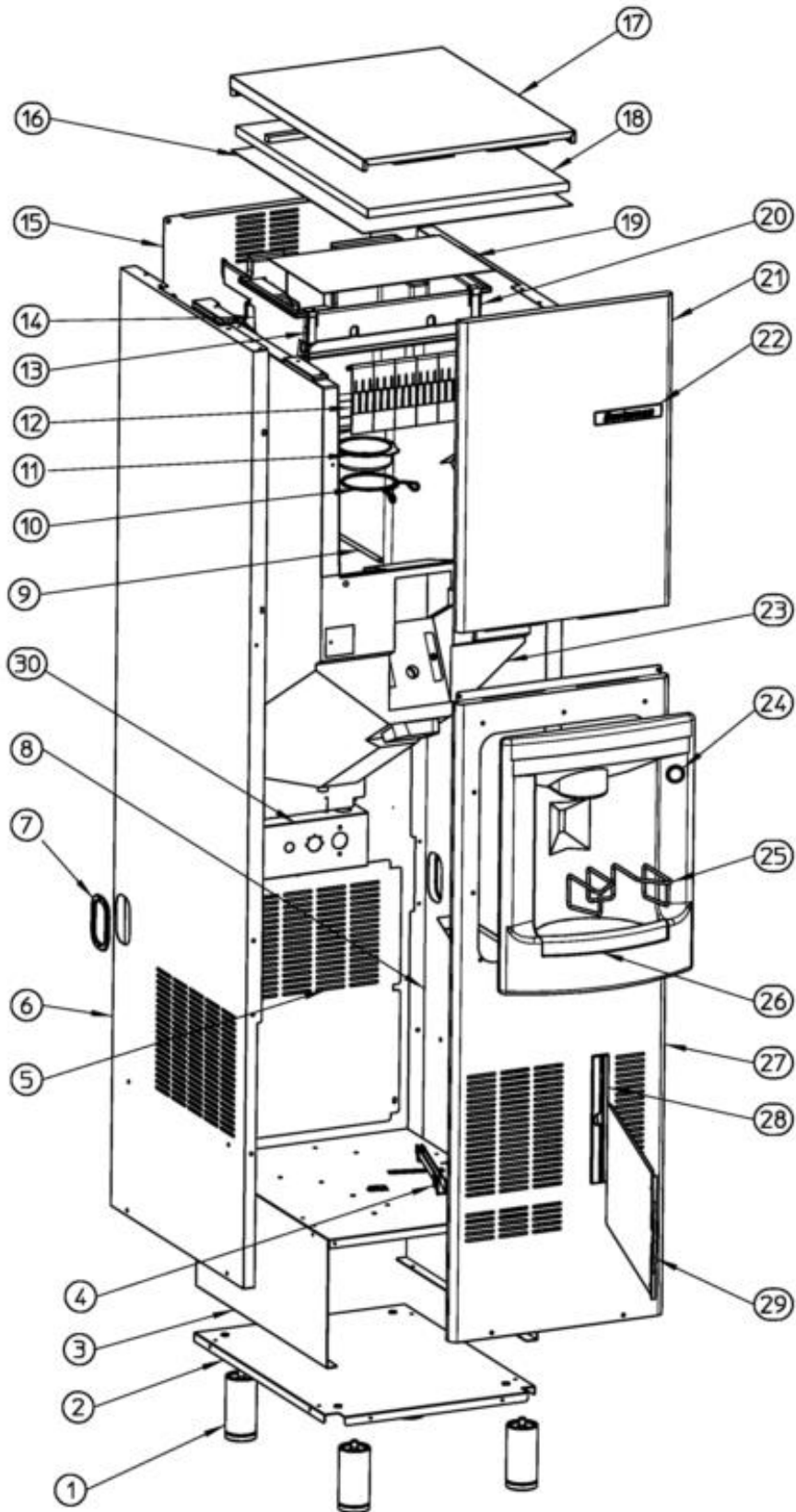
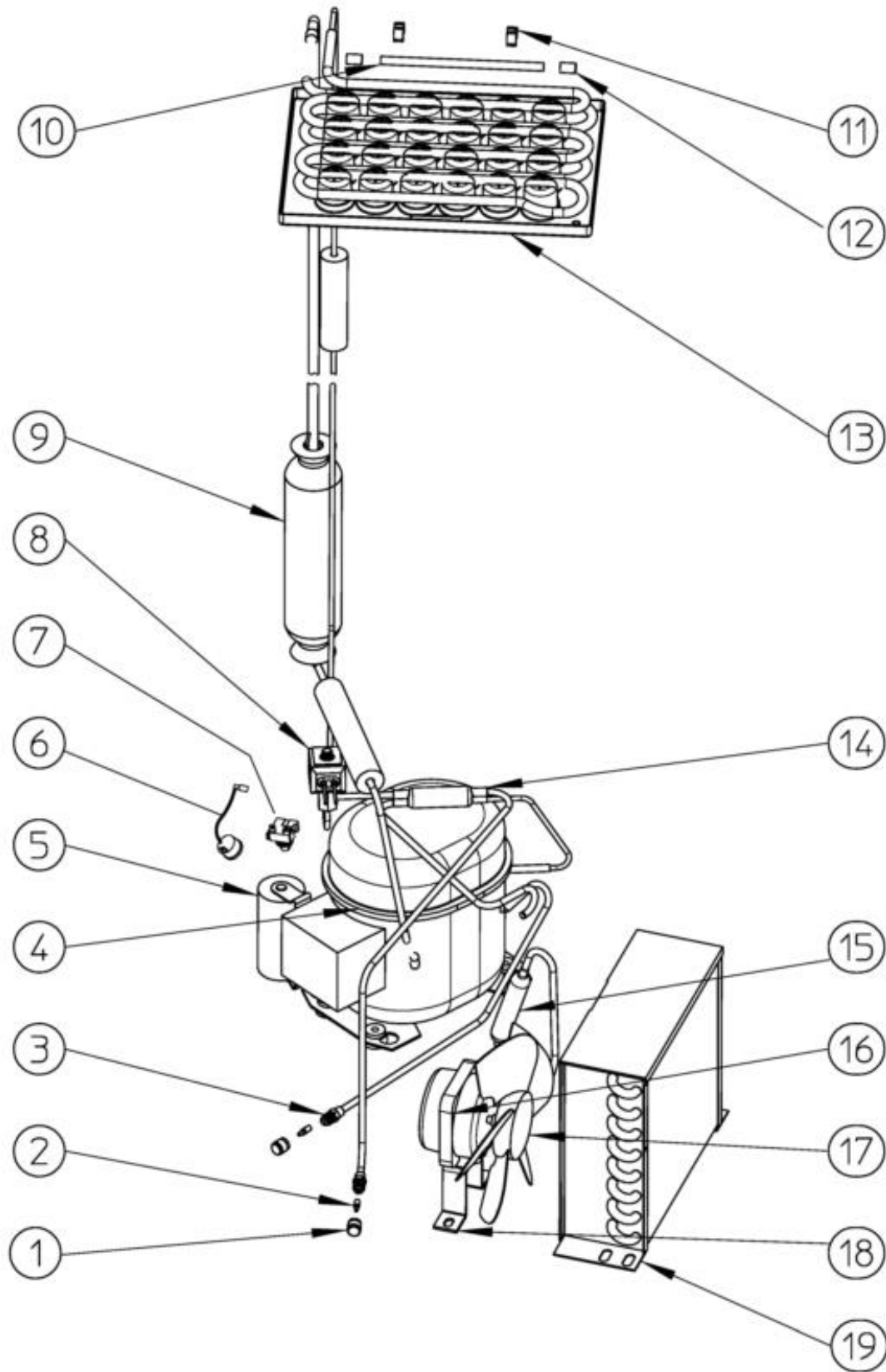


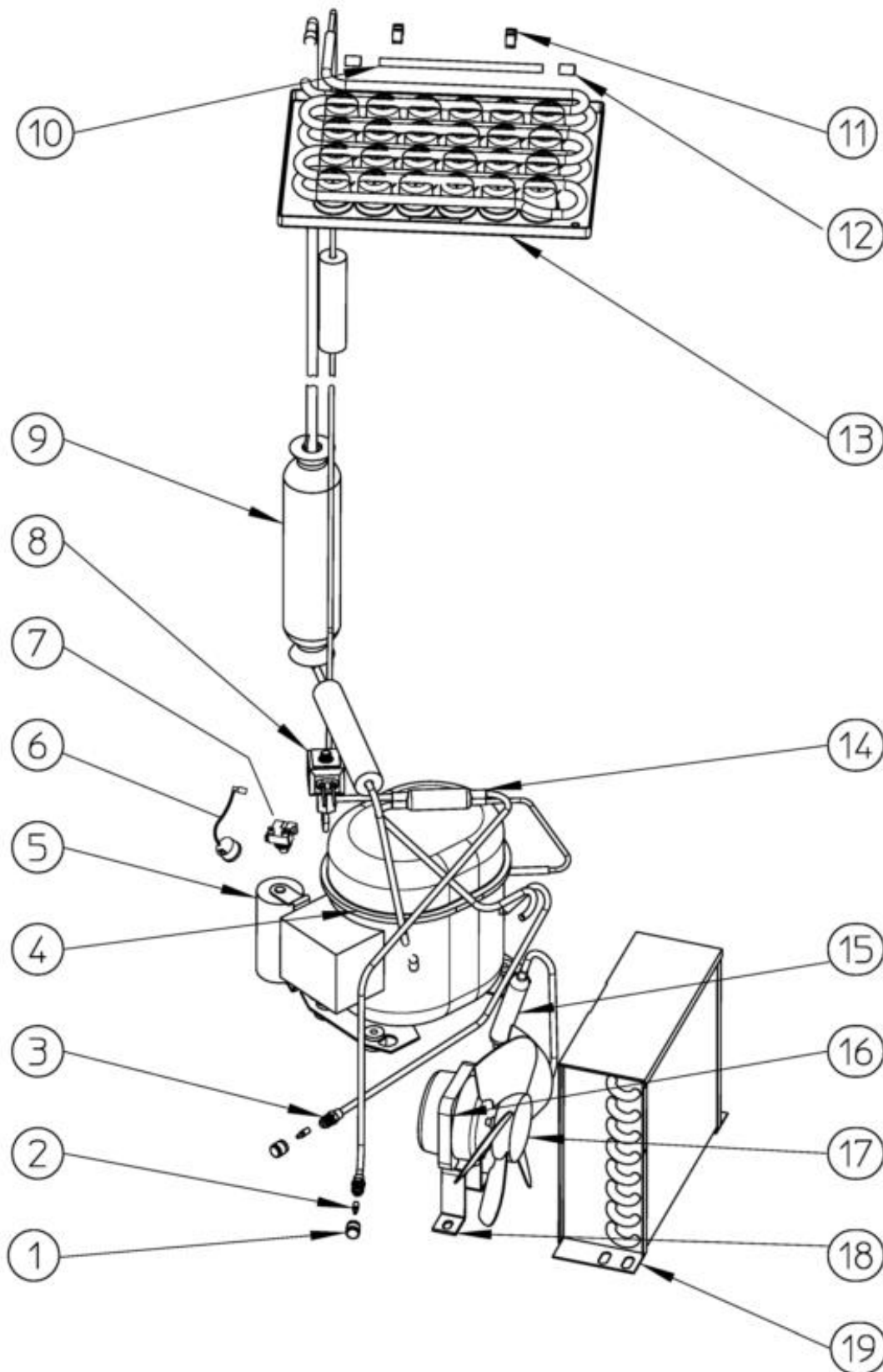
- 1 CABINET ASSY
- 2 REFRIGERANT SYSTEM AIR COOLED – UP TO S.N. 6011
- 3 REFRIGERANT SYSTEM AIR COOLED – FROM S.N. 6012
- 4 REFRIGERANT SYSTEM WATER COOLED – UP TO S.N. 6011
- 5 REFRIGERANT SYSTEM WATER COOLED – FROM S.N. 6012
- 6 WATER SYSTEM
- 7 DISPENSER SYSTEM
- 8 CONTROL BOX



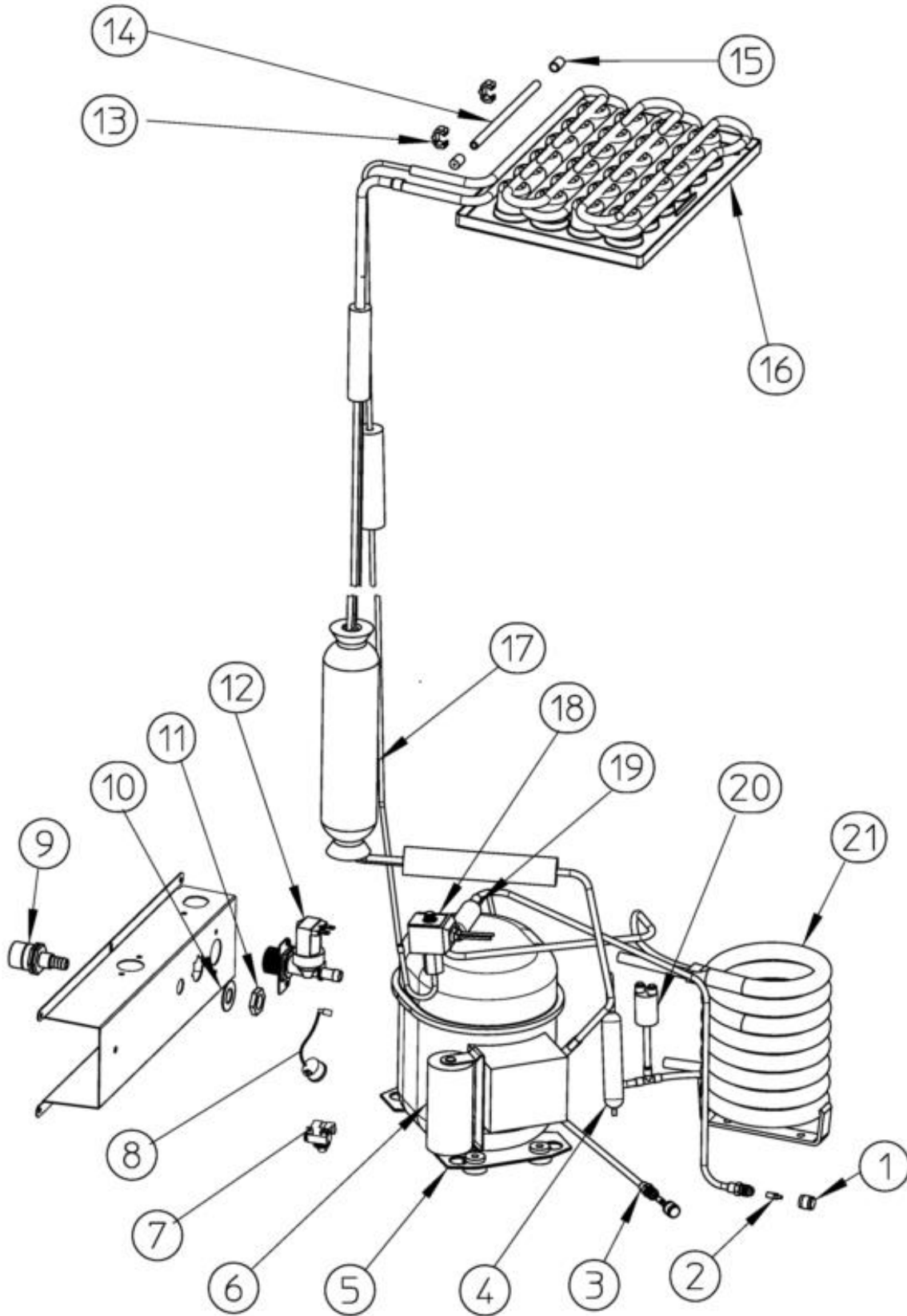
Pos	Code	Description
0001	SC651469 00	LEG (1 PIECE)
0002	SC702746 00	UNIT BASE
0003	SC702747 00	COMPRESSOR BASE
0004	SC660817 00	SLIDE, AIR FILTER
0005	SC702750 01	LOWER REAR PANEL
0006	SC722739 00	LEFT SIDE PANEL
0007	SC661070 00	PLASTIC PLUG/COVER
0008	SC722739 01	RIGHT SIDE PANEL
0009	SC732017 00	BULB HOLDER
0010	SC460047 00	SPRING
0011	SC660741 00	PLASTIC PLUG
0012	SC783189 00	CURTAIN
0013	SC660388 00	CURTAIN BRACKET (RIGHT)
0014	SC661118 00	EVAPORATOR HOUSING
0015	SC702750 00	UPPER REAR PANEL
0016	SC742033 08	COVER
0017	SC722738 00	TOP PANEL
0018	SC680137 28	POLYST. PROTECTION
0019	SC742033 04	EVAPORATOR COVER
0020	SC660388 01	CURTAIN BRACKET (LEFT)
0021	SC781556 00R	UPPER FRONT PANEL
0022	SC650850 00	SCOTSMAN LOGO
0023	SC661116 00	BIN ASSY
0024	SC060636 00	PUSH BUTTON SWITCH KIT
0025	SC651471 00	GRID
0026	SC661117 00	DISPENSING FRAME
0027	SC722740 00	LOWER FRONT PANEL
0028	SC660804 00	AIR FILTER SEAT
0029	SC660805 00	AIR FILTER
0030	SC702749 00	BRACKET



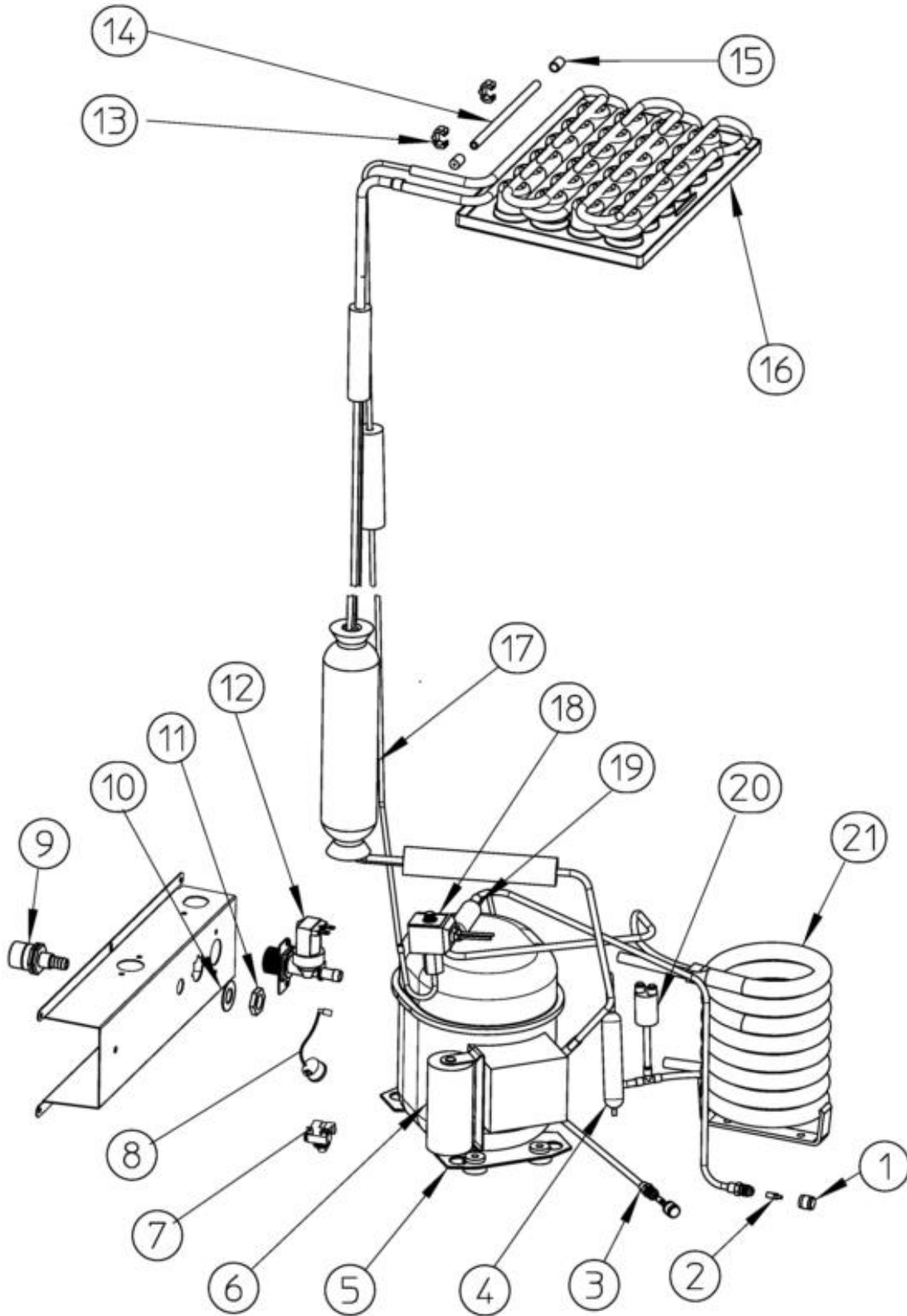
Pos	Code	Description
0001	SC650106 00	CAP
0002	SC670012 00	VALVE CORE
0003	SC650109 00	VALVE BODY
0004	SC670100 07	COMPRESSOR
0005	SCCUB 102661	START CAPACITOR - 230/50
0006	SC620478 00	PROTECTOR
0007	SC620057 37	COMPR. RELAY
0008	SC620306 22	HOT GAS VALVE BODY
0008	SC620306 48	COIL - 230/50-60
0009	SC784799 00	SUCTION LINE
0010	SC741114 06	BULB HOLDER
0011	SC660386 00	PLASTIC CLIP
0012	SC660465 00	PLUG
0013	SC784297 09	PLATEN ASSY
0014	SC630137 00	MECHANICAL FILTER
0015	SC630003 05	DRIER
0016	SC620419 02	FAN MOTOR - 230/50-60
0017	SC620419 32	FAN BLADE
0018	SC620419 62	FAN MOTOR BRACKET
0019	SC620420 00	CONDENSER



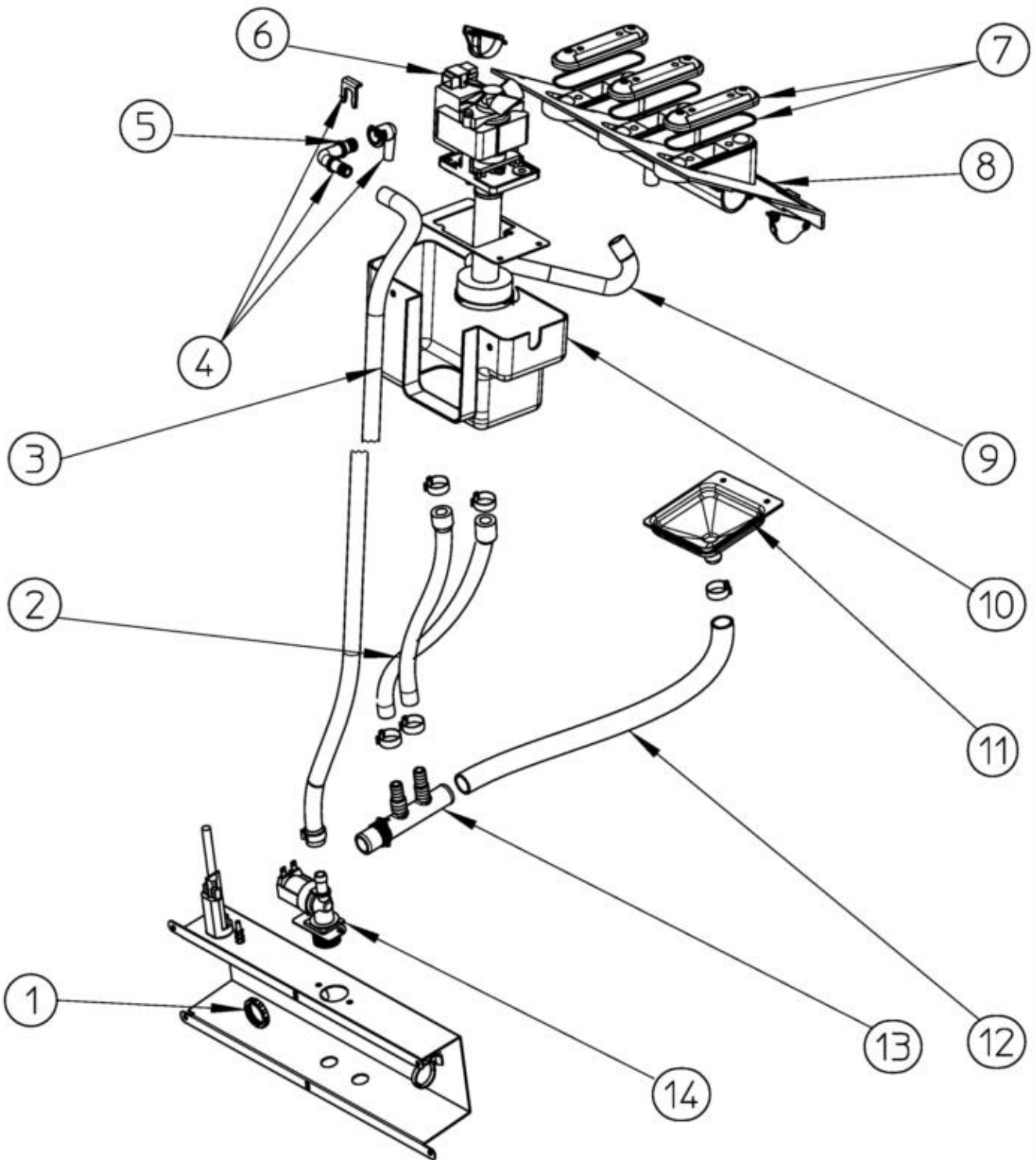
Pos	Code	Description
0001	SC650106 00	CAP
0002	SC670012 00	VALVE CORE
0003	SC650109 00	VALVE BODY
0004	SC670100 01	COMPRESSOR - 230/50/1
0005	SCCUB 102661	START CAPACITOR - 230/50
0006	SCCUB 102314	PROTECTOR 230/50
0007	SCCUB 405175	RELAY - 230/50/1
0008	SC620306 22	HOT GAS VALVE BODY
0008	SC620306 48	COIL - 230/50-60
0009	SC784799 00	SUCTION LINE
0010	SC741114 06	BULB HOLDER
0011	SC660386 00	PLASTIC CLIP
0012	SC660465 00	PLUG
0013	SC784297 09	PLATEN ASSY
0014	SC630137 00	MECHANICAL FILTER
0015	SC630003 05	DRIER
0016	SC620419 02	FAN MOTOR - 230/50-60
0017	SC620419 32	FAN BLADE
0018	SC620419 62	FAN MOTOR BRACKET
0019	SC620420 00	CONDENSER



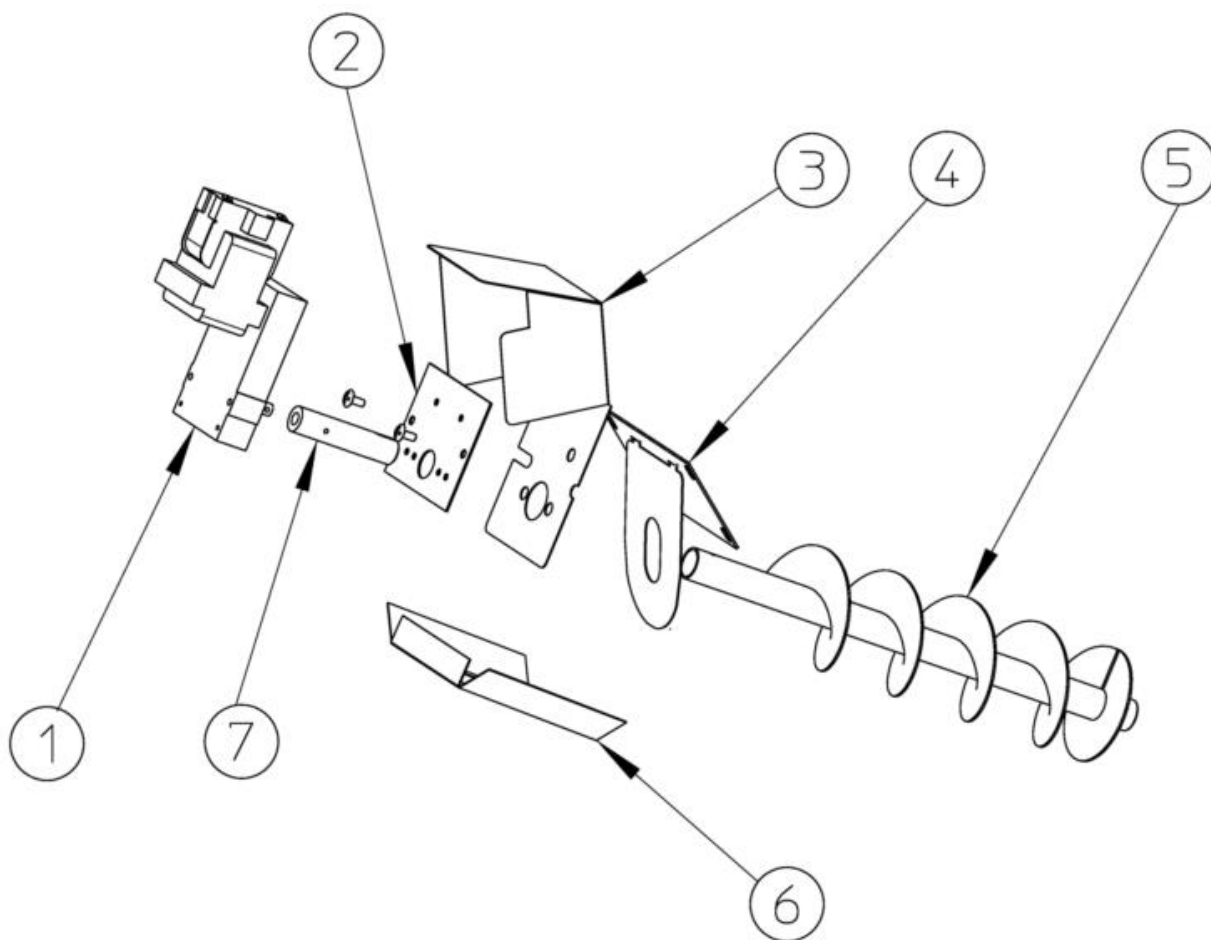
Pos	Code	Description
0001	SC650106 00	CAP
0002	SC670012 00	VALVE CORE
0003	SC650109 00	VALVE BODY
0004	SC630003 05	DRIER
0005	SC670100 07	COMPRESSOR
0006	SCCUB 102661	START CAPACITOR - 230/50
0007	SC620057 37	COMPR. RELAY
0008	SC620478 00	PROTECTOR
0009	SC660291 00	TEE TUBE (D13)
0010	SC400031 00	WASHER
0011	SC400030 00	NUT
0012	SC650105 74	WATER INLET VALVE ASSY - 230V - WATER
0013	SC660386 00	PLASTIC CLIP
0014	SC741114 06	BULB HOLDER
0015	SC660465 00	PLUG
0016	SC784297 09	PLATEN ASSY
0017	SC784799 00	SUCTION LINE
0018	SC620306 22	HOT GAS VALVE BODY
0018	SC620306 48	COIL - 230/50-60
0019	SC630137 00	MECHANICAL FILTER
0020	SC620499 02	PRESSOSTAT
0021	SC620389 00	CONDENSER



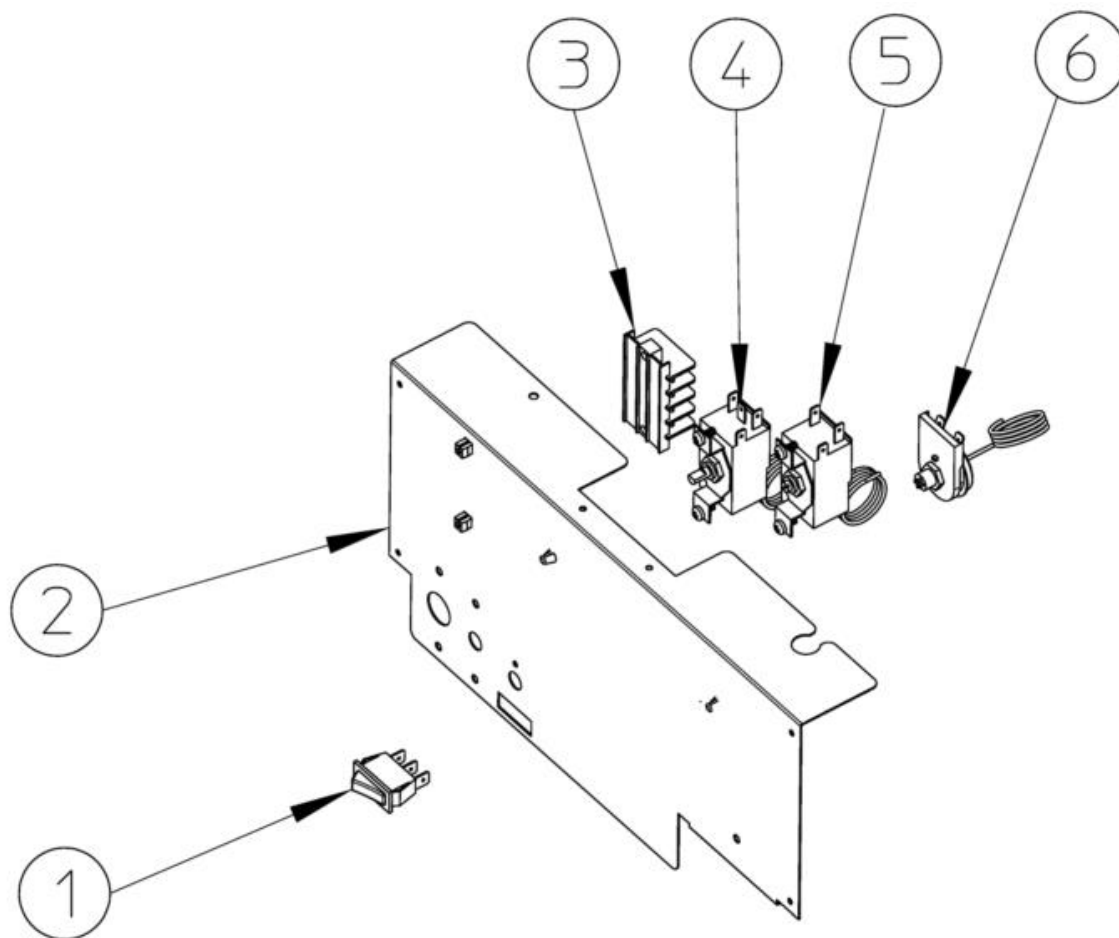
Pos	Code	Description
0001	SC650106 00	CAP
0002	SC670012 00	VALVE CORE
0003	SC650109 00	VALVE BODY
0004	SC630003 05	DRIER
0005	SC670100 01	COMPRESSOR - 230/50/1
0006	SCCUB 102661	START CAPACITOR - 230/50
0007	SCCUB 405175	RELAY - 230/50/1
0008	SCCUB 102314	PROTECTOR 230/50
0009	SC660291 00	TEE TUBE (D13)
0010	SC400031 00	WASHER
0011	SC400030 00	NUT
0012	SC650105 74	WATER INLET VALVE ASSY - 230V - WATER
0013	SC660386 00	PLASTIC CLIP
0014	SC741114 06	BULB HOLDER
0015	SC660465 00	PLUG
0016	SC784297 09	PLATEN ASSY
0017	SC784799 00	SUCTION LINE
0018	SC620306 22	HOT GAS VALVE BODY
0018	SC620306 48	COIL - 230/50-60
0019	SC630137 00	MECHANICAL FILTER
0020	SC620499 02	PRESSOSTAT
0021	SC620389 00	CONDENSER



Pos	Code	Description
0001	SC660535 00	PLASTIC NUT
0002	SC281830 12	TUBE - PER METER
0003	SC281900 01	TUBE 16X10
0004	SC793172 00R	WATER INLET ELBOW ASSY
0005	SC640041 31	O RING
0006	SC620433 02	WATER PUMP 230/50
0007	SC060529 00	SPRAY COVER KIT
0008	SC793129 01	SPRAY SYSTEM ASSY
0009	SC610234 00	TUBE
0010	SC661115 00	WATER PUMP HOUSING
0011	SC661119 00	FUNNEL
0012	SC610191 02	HOSE
0013	SC660993 00	FITTING
0014	SC650105 65	WATER INLET VALVE ASSY - AIR COOLED



Pos	Code	Description
0001	SC620594 00	DRIVE MOTOR
0002	SC722754 00	BRACKET
0003	SC722746 00	DRIVE MOTOR BRACKET
0004	SC722753 03R	AUGER PROTECTION
0005	SC651472 00	AUGER
0006	SC722745 00	CHUTE COVER
0007	SC743147 00	SHAFT



Pos	Code	Description
0001	SC620442 02	SWITCH
0002	SC702748 00	CONTROL BOX
0003	SC630114 01	TERMINAL BOARD
0004	SC620264 11	EVAP. THERMOSTAT
0005	SC630005 00	BIN THERMOSTAT
0006	SC620443 02	THERMOSTAT