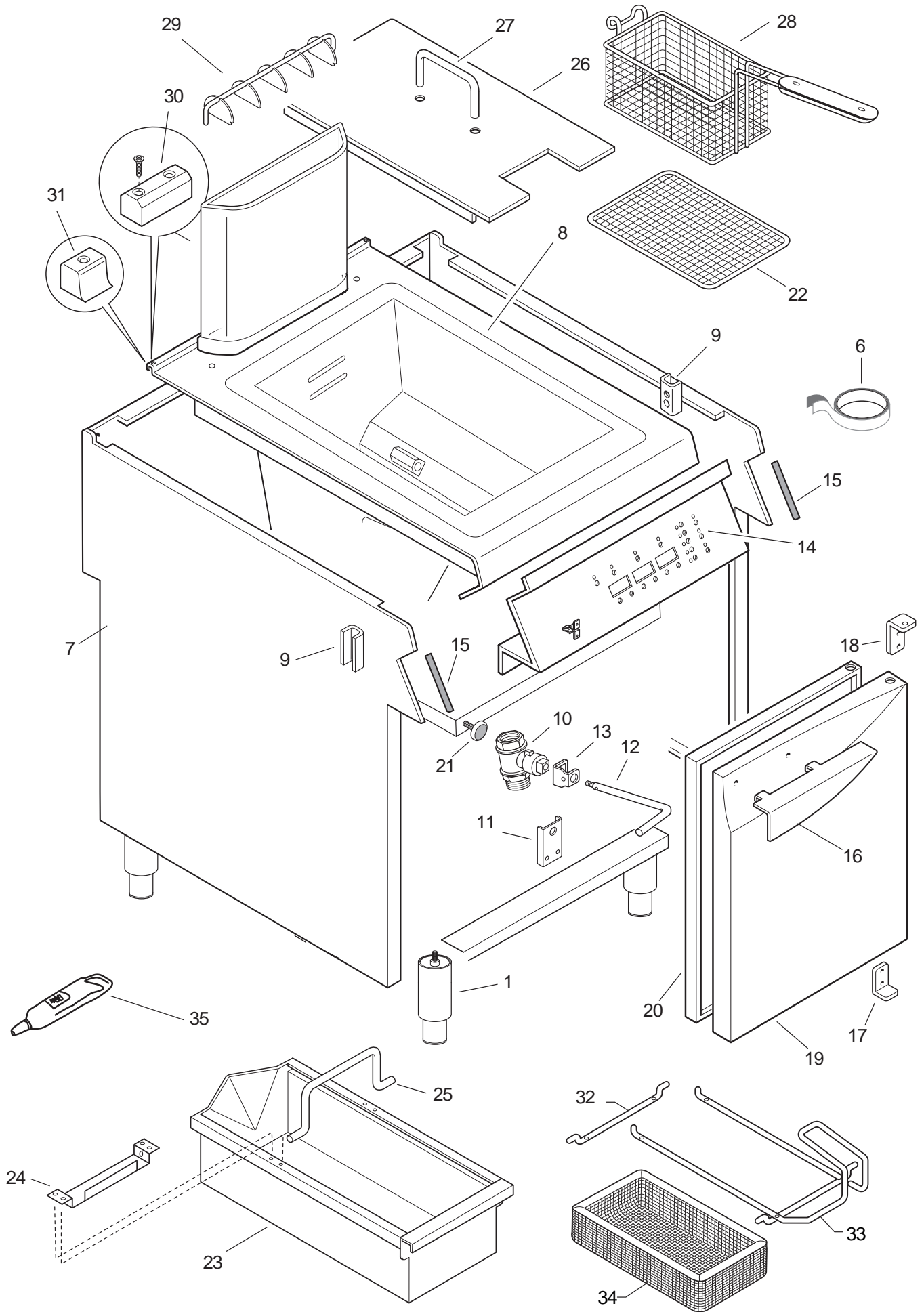
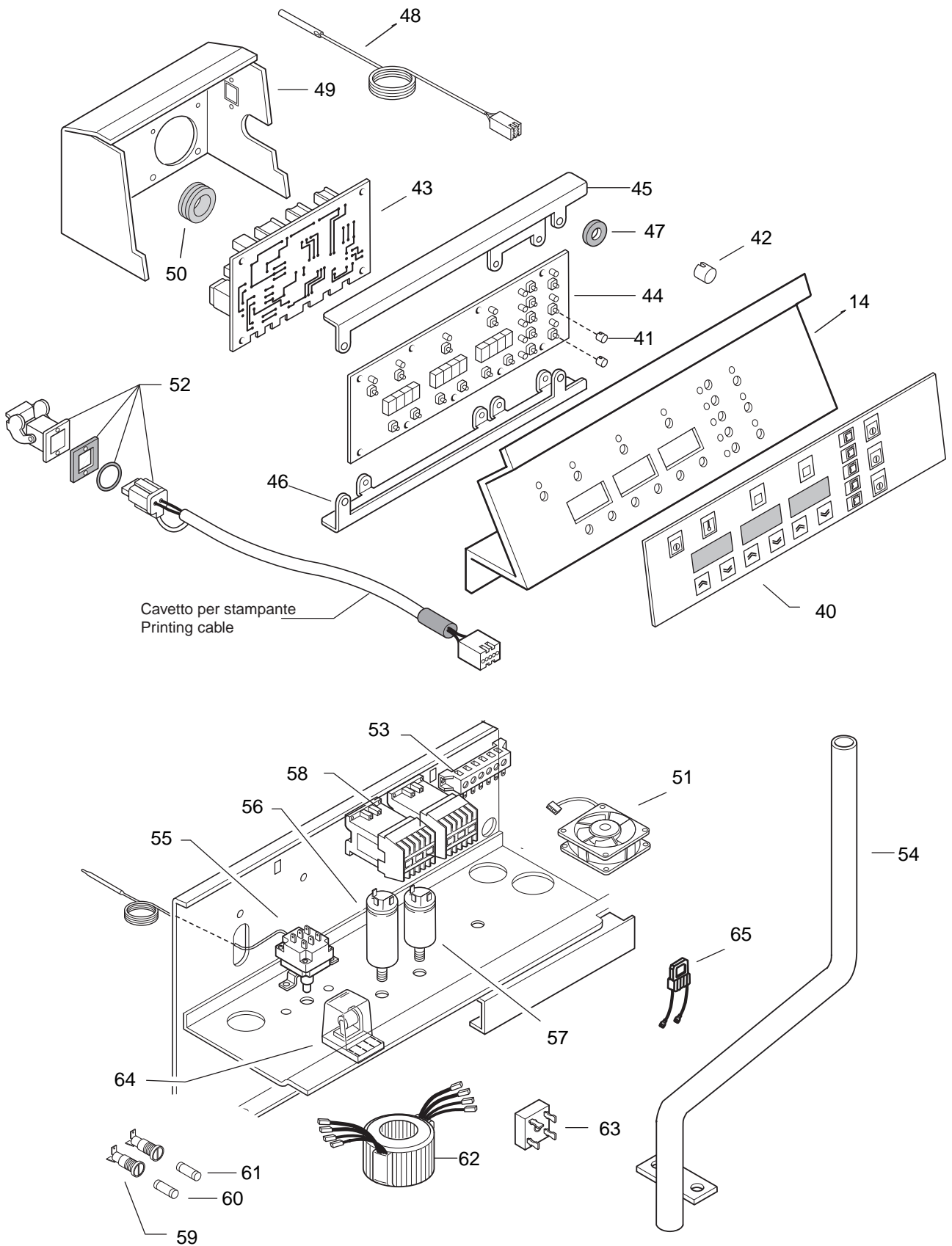


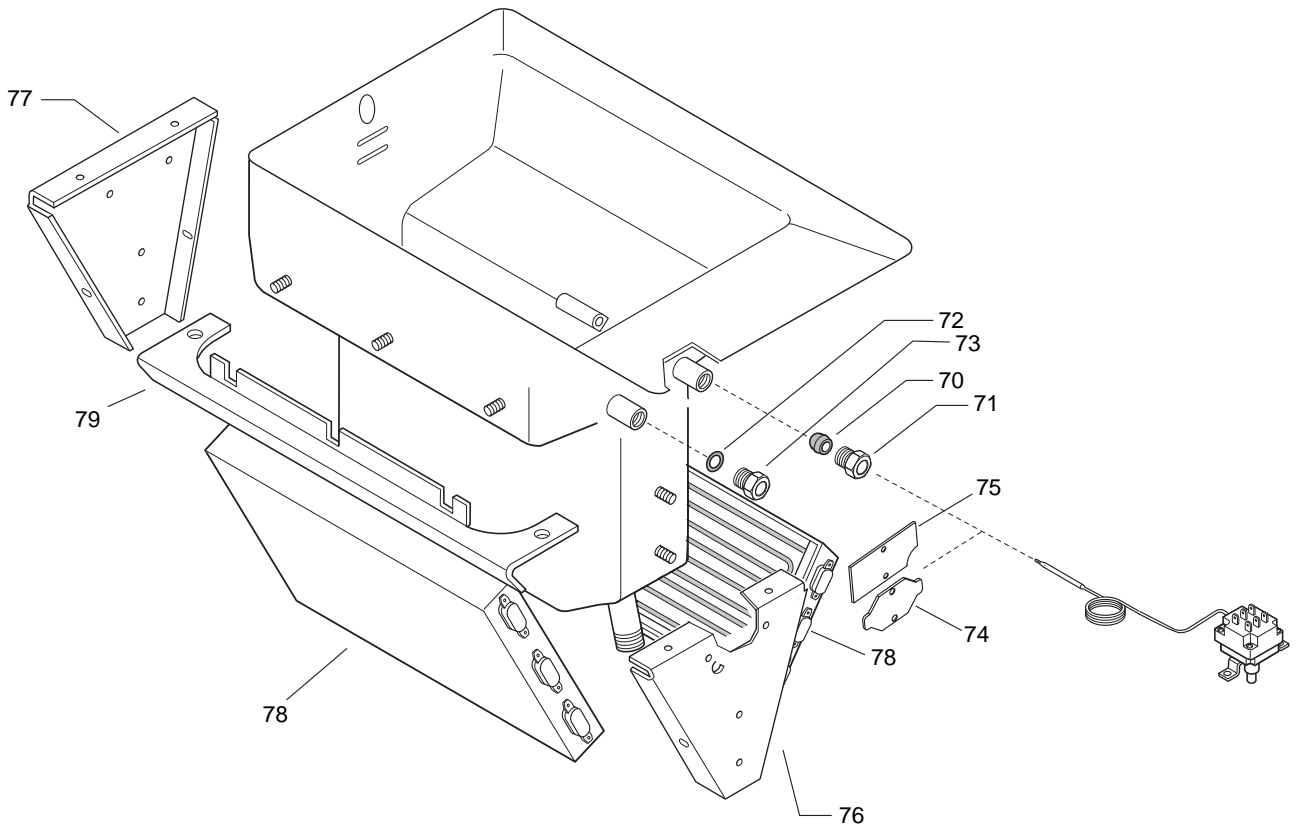
PNC	Model	Ref	Pag.	Brand	Version	Notes
391091	E9FRED1JFE	a		ELX	EL	ELECTRONIC CONTROL
391092	E9FRED1JFO	c		ELX	EL	ELECTR.CONTROL+OIL FILTER
391093	E9FRED1JFP	b		ELX	EL	PROG.-ELEC.CONTR+OIL FILT.
392091	Z9FRED1JFE	a		ZAN	EL	ELECTRONIC CONTROL
392092	Z9FRED1JFO	c		ZAN	EL	ELECTR.CONTROL+OIL FILTER
392093	Z9FRED1JFP	b		ZAN	EL	PROG.-ELEC.CONTR+OIL FILT.
393091	A9FRED1JFE	a		OEM	EL	ELECTRONIC CONTROL
393092	A9FRED1JFO	c		OEM	EL	ELECTR.CONTROL+OIL FILTER
393093	A9FRED1JFP	b		OEM	EL	PROG.-ELEC.CONTR+OIL FILT.

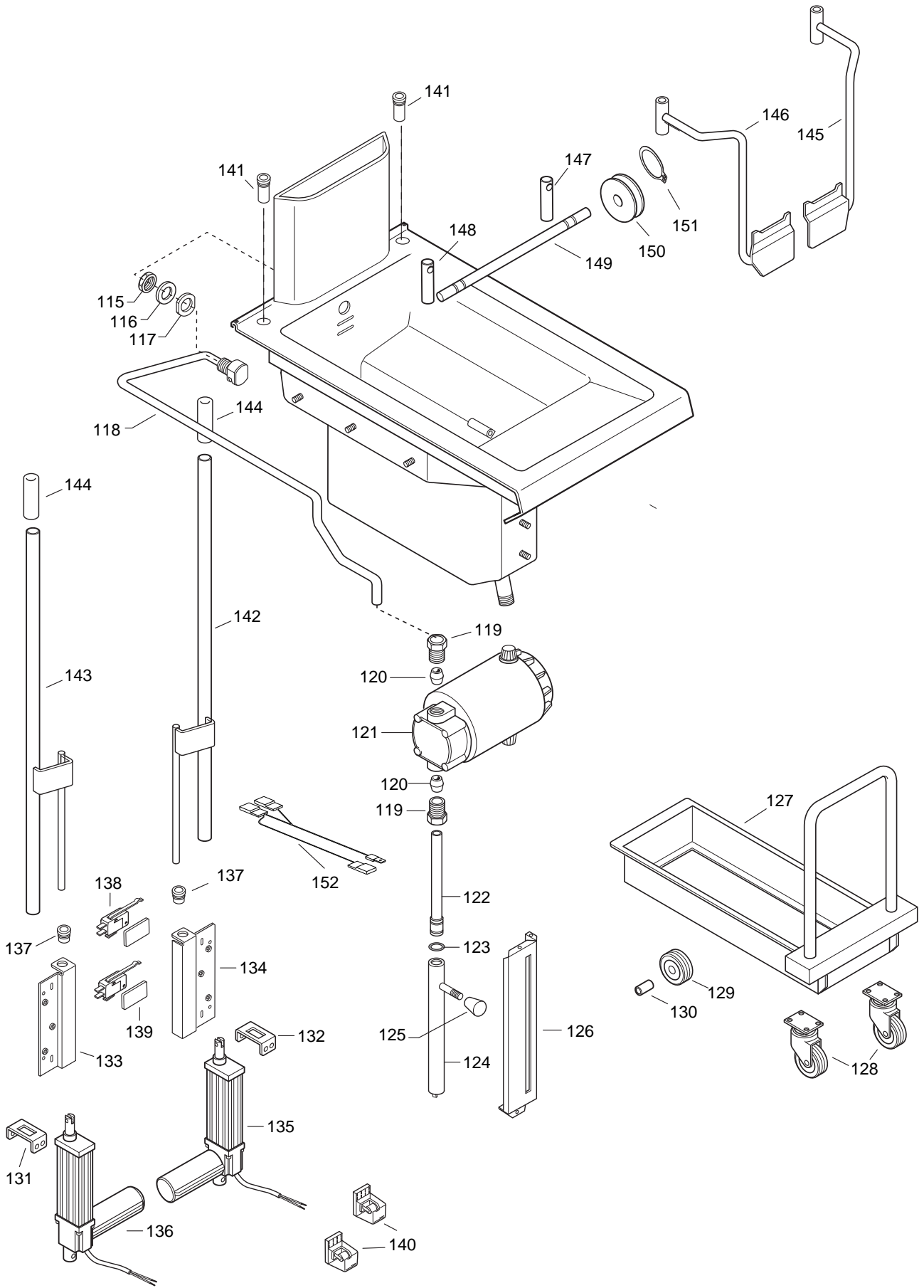
Pag	Index	Indice	Note
2	General componets	Componenti struttura	
3	Electric Components	Componenti elettrici	
4	Electric Components	Componenti elettrici	
5	Electric Components	Componenti elettrici	
6,7,8	Spare parts list	Lista ricambi	

Brand/Marchio: All
 Factory code: 9PDX









FRIGGITRICI ELETTRICHE ELETTRONICHE 23L E900XP
ELECTRIC ELECTRONIC FRYERS 23L E900XP

Pos	Factory Code	6DGT Code	Descrizione	Description	Ref./Note
			Pagina 2	Page 2	
1	0835856900	0C0204	PIEDE	FOOT	
2					
3					
4					
5					
6	0147018088	*	ADESIVO STRUTTURALE	STRUCTURAL ADHESIVE	
7	085089DY00		FASCIA 400mm	EXTERNAL PANEL 400mm	ELX
7	085089F300		FASCIA 400mm	EXTERNAL PANEL 400mm	ZAN, OEM
7	0538844601		SCHIENALE	BACK PANEL	with Oil Filter
7	085089JC00		FIANCO DESTRO	RIGHT PANEL	ELX with Oil Filter
7	085089JF00		FIANCO DESTRO	RIGHT PANEL	ZAN, OEM – Oil Filter
7	085089JD00		FIANCO SINISTRO	LEFT PANEL	ELX with Oil Filter
7	085089JG00		FIANCO SINISTRO	LEFT PANEL	ZAN, OEM – Oil Filter
8	087089AM00	0C7491	RIPIANO / VASCA 400mm	WORKTOP / TANK 400mm	ELX
8	087089AS00	0C7495	RIPIANO / VASCA 400mm	WORKTOP / TANK 400mm	ELX, PROGR.
8	087089C700	0C7506	RIPIANO / VASCA 400mm	WORKTOP / TANK 400mm	ZAN, OEM
8	087089C500	0C7504	RIPIANO / VASCA 400mm	WORKTOP / TANK 400mm	ZAN, OEM - PROGR. see PDX2007-11
9	0527850500	0C0156	PIASTRA FISSAGGIO FIANCHI	SIDE PANEL JOINTING PLATE	
10	0835855000	006688	VALVOLA SCARICO	DRAIN VALVE	
11	0527845001	0C0607	SUPPORTO LEVA SCARICO	SUPPORT, DRAIN EXTENSION	
12	0516868800	0C0608	PROLUNGA PER SCARICO	DRAIN EXTENSION	
13	0508897002	006877	GUIDA PER PROLUNGA SCARICO	GUIDE, DRAIN EXTENSION	
14	085589AJ00	0C7896	CRUSCOTTO 400mm	CONTROL PANEL 400mm	ELX
14	087089J700	0C7518	CRUSCOTTO 400mm	CONTROL PANEL 400mm	ZAN
14	087089JB00	0C7521	CRUSCOTTO 400mm	CONTROL PANEL 400mm	OEM
14	087089JC00	0C7522	CRUSCOTTO 400mm	CONTROL PANEL 400mm	HORECALAND
15	0543821900	0L0113	GUARNIZIONE X CRUSCOTTO	GASKET, CONTROL PANEL	
16	0529837700	0C0463	MANIGLIA DESTRA	RIGHT HANDLE	
17	0516860801	0C0138	CERNIERA	HINGE, DOOR	
18	0516860901	0C0139	CERNIERA	HINGE, DOOR	
19	0529837201	0C0567	PORTA DESTRA	RIGHT DOOR	
20	0529836800	0C0177	CONTROPORTA	INNER DOOR	
21	0830898200	0C0201	MAGNETE PER PORTA	MAGNET, DOOR	
22	0830884701	006130	GRIGLIA DI FONDO	GRATE FOR BOTTOM	
23	0522854700	0C0611	BACINELLA PER OLIO	BASIN FOR BASIN	
24	0528822801	0C0612	SUPPORTO MANIGLIA BACINELLA	SUPPORT FOR HANDLE, BASIN	
25	0516849501	006131	MANIGLIA BACINELLA	HANDLE, BASIN	
26	0529889900	0C1014	COPERCHIO FRIGG. ACTIVE	LID, ACTIVE FRYER	b
26	0529890100	0C0613	COPERCHIO FRIGG. 23lt	LID, 23lt FRYER	a c
27	511819000	0C0614	MANIGLIA COPERCHIO	HANDLE, LID	
28	0830894500	006133	CESTELLO	BASKET	
29	050489JL00	0C7161	GRIGLIA CAMINO	GRID, CHIMNEY	a
30	0516860700	0C0137	PIASTRA GIUNZIONE APPARECC.	JOINTING REAR PLATE	
31	0541810600	0C0187	TAPPO POSTERIORE RIPIANO	STOPPER	
32	0516848000	006160	TELAIO PER FILTRO	FRAME, OIL FILTER	
33	0516848101	006161	TRAVERSA PER FILTRO	CROSSPIECE, OLI FILTER	
34	0542800101	006149	FILTRO (POLIESTERE)	FILTER (POLYESTER)	
35	0147098044	006083	ADESIVO SILICONICO	GLUE, SILICON	
			Pagina 3	Page 3	
40	0675846700	0C2025	MEMBRANA FRIGG.ELETTRONICA	LAYER, ELECTRONIC FRYER	a
40	0675835702	006614	MEMBRANA FRIGG.ACTIVE	LAYER, ACTIVE FRYER	b
40	0675846800	0C2130	MEMBR. FRIGG.ELETT. + RIC.OLIO	LAYER, ELECT. + PUMP REC. FRYER	c
41	0548836902	002670	PROLUNGA PULSANTE	EXTENSION, SWITCH	
42	0516865600	*	DISTANZIALE SCHEDA INTERFACCIA	SPACER, USER INTERFACE	

From sr. Nr/ Da Ser. Nr.: ***

From status level / Da scatto: 00

Page: 6

Ed. 2011 04

Doc. Nr.: **059785G900**

FRIGGITRICI ELETTRICHE ELETTRONICHE 23L E900XP
ELECTRIC ELECTRONIC FRYERS 23L E900XP

Pos	Factory Code	6DGT Code	Descrizione	Description	Ref./Note
43	0675837305	006624	SCHEDA MADRE	MOTHER BOARD	
44	0675835503	006803	SCHEDA INTERFACCIA	USER INTERFACE	
45	0528828101	*	SUPPORTO SUPERIORE SCHEDA	UPPER SUPPORT, USER INTERF.	
46	0528813501	006616	SUPPORTO INFERIORE SCHEDA	LOWER SUPPORT, USER INTERF.	
47	0546813800	*	RONDELLA FISSAGGIO SCHEDA	WASHER, BOARD FIXING	
48	0675837201	006609	SONDA NTC	NTC PROBE	
49	0529875401	*	PROTEZIONE SCHEDA	PROTECTION, MAIN BOARD	
50	0246520500	050180	PASSACAVO DIA.23	CABLE LEAD DIA.23	
51	0624810200	0C3967	VENTILATORE	FAN	
52	0638887600	006623	CAVETTO PER STAMPANTE (400mm)	PRINTING CABLE (400mm)	b
53	0A05714000	058613	MORSETTIERA	TERMINAL BOARD	
54	0853858500	*	PROTEZIONE ENTRATA CAVO	PROTECTION INPUT CABLE	
55	0646816600	0C4463	TERMOSTATO DI SICUREZZA	SAFETY THERMOSTAT	
56	0694605400	049303	FILTRO TRIFASE	FILTER	
57	0694502400	059078	FILTRO LC	LC FILTER	
58	0648807400	006879	CONTATTORE	CONTACTOR	
59	0652800401	056582	PORTAFUSIBILE	FUSE CARRIER	
60	0652803300	0C1480	FUSIBILE 6,3A	6,3A FUSE	
61	0452140500	057783	FUSIBILE 4A	4A FUSE	
62	0624805601	006159	TRASFORMATORE	TRANSFORMER	
63	0675830800	006147	PONTE RADDRIZZATORE	DIODE BRIDGE	
64	0648806900	006610	RELE'	RELAY	
65	0694801600	003510	SNUBBER	SNUBBER	
			Pagina 4	Page 4	
70	0543815000	059293	GUARNIZIONE OR	OR GASKET	
71	0530834201	*	SUPPORTO ANT. RESISTENZA	FRONT SUPPORT, HEATING ELEM.	
74	0527871901	0C4749	SUPPORTO BULBO LIMITATORE	SAFETY TERM. BULB SUPPORT	
75	0569806300	0C4748	ISOLANTE BULBO	SAFETY THERMOSTAT BULB INSULATION	see PDX2007-11
76	0529844100	*	PANNELLO FRONTALE	FRONTAL PANEL	
77	0529844200	*	PANNELLO POSTERIORE	REAR PANEL	
78	0617821805	006158	RESISTENZA 9kW	HEATING ELEMENT 9kW	
79	0529844300	*	SUPPORTO SUPERIORE RESISTENZE	UPPER SUPPORT, HEAT.ELEMENT	
			Pagina 5	Page 5	
115	0516849000	*	DADO	NUT	b c
116	0508891200	*	RONDELLA	WASHER	b c
117	0516865900	*	RONDELLA	WASHER	b c
118	0806824200	*	CONDUTTURA CARICO OLIO	INLET PIPE, OIL	b c
119	0514879600	006964	RACCORDO	NIPPLE	b c
120	0215170716	050682	OGIVA	BICONICAL RING	b c
121	0686800001	006146	POMPA CARICO OLIO	PUMP, OIL CIRCULATION	b c
122	0806812400	*	CONDUTTURA INTERNA CARICO OLIO	INTERNAL PIPE, OIL CIRCULATION	b c
123	0543826300	006426	GUARNIZIONE	GASKET	b c
124	0806824300	*	CONDUTTURA ESTERNA CARICO OLIO	EXTERNAL PIPE, OIL CIRCULATION	b c
125	0516865700	0C0951	POMELLO	KNOB	b c
126	0528828400	*	PROTEZIONE CARICO OLIO	PROTECTION, OIL PIPE	b c
127	0870847400	0C1018	CARRELLO	TROLLEY	
128	0835849000	006150	RUOTA DIA.140	WHEEL DIA 140	
129	0835848900	006151	RUOTA DIA.40	WHEEL DIA 40	
130	0517862800	006163	PERNO	PIN	
131	0527846501	0C4809	GUIDA ATTUATORE SINISTRA	RUNNER, LEFT MOTOR ELEVATOR	b
132	0527846601	0C4810	GUIDA ATTUATORE DESTRA	RUNNER, RIGHT MOTOR ELEVATOR	b
133	0806824803	0C4807	PROLUNGA SINISTRA	LEFT PRONG	b

From sr. Nr/ Da Ser. Nr.: ***

From status level / Da scatto: 00

Page: 7

Ed. 2011 04

Doc. Nr.: **059785G900**

FRIGGITRICI ELETTRICHE ELETTRONICHE 23L E900XP
ELECTRIC ELECTRONIC FRYERS 23L E900XP

<i>Pos</i>	<i>Factory Code</i>	<i>6DGT Code</i>	<i>Descrizione</i>	<i>Description</i>	<i>Ref./Note</i>
134	0806824703	0C4808	PROLUNGA DESTRA	RIGHT PRONG	b
135	0611806200	006691	ATTUATORE PER SOLLEVAMENTO SX	LEFT MOTOR ELEVATOR	b
136	0611806100	006690	ATTUATORE PER SOLLEVAMENTO DX	RIGHT MOTOR ELEVATOR	b
137	0544807000	*	BOCCOLA	BUSHING	b
138	0640800800	053671	MICROINTERRUTTORE	MICROSWITCH	b
139	0246214023	045404	PIASTRINA ISOLANTE	INSULATION PLATE	b
140	0648806900	006610	RELE	RELAY	b
141	0516866000	0C1019	BOCCOLA	BUSHING	b
142	0806824401	0C1020	ASTA SOLLEVAMENTO DX	RIGHT ROD, LIFT BASKET	b
143	0806824501	0C1021	ASTA SOLLEVAMENTO SX	LEFT ROD, LIFT BASKET	b
144	0516866600	0C1022	ESTERMITA' SUPPORTO	HEAD SUPPORT	b
145	0831800301	0C1023	SUPPORTO DX CESTELLI	RIGHT SUPPORT BASKET	b
146	0831800401	0C1024	SUPPORTO SX CESTELLI	LEFT SUPPORT BASKET	b
147	0516866300	0C1025	SUPPORTO DX	RIGHT SUPPORT	b
148	0516866400	0C1026	SUPPORTO SX	LEFT SUPPORT	b
149	0516866500	0C1027	BARRA SUPPORTO CESTELLI	ROD, BASKET SUPPORT	b
150	0516849400	0C1028	GUIDA CESTELLI	RUNNER, BASKET	b
151	0219001015	*	ANELLO	SEEGER UNI 7435-75 AISI 316 INNER DIAMETER 10mm.	b
152	0638889201	0C1471	CABLAGGIO PER MICRO	CABLE FOR MICROSWITCH	b