

RANGE COMPOSITION

A range of wall-mounted hoods used for snack applications and on the N700 and N900 Series cooking units. Their particular profile and the limited installation height makes them suitable for use in places with low ceilings.

The range consists of hoods with 8 different lengths (1200, 1600, 2000, 2400, 2800, 3200, 3600 and 4000 mm) and a depth of 1100 mm.



MASTER - M line - 1100 mm

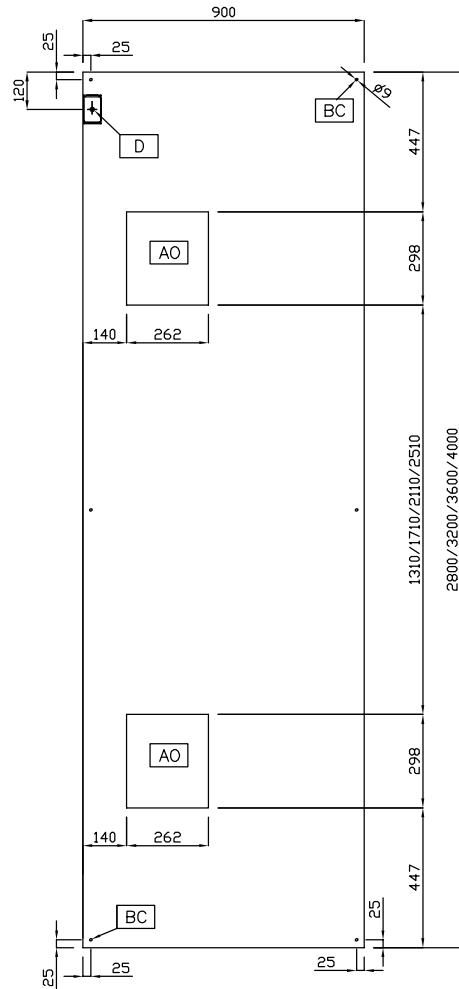
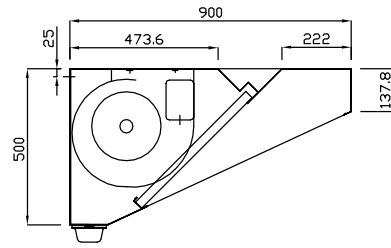
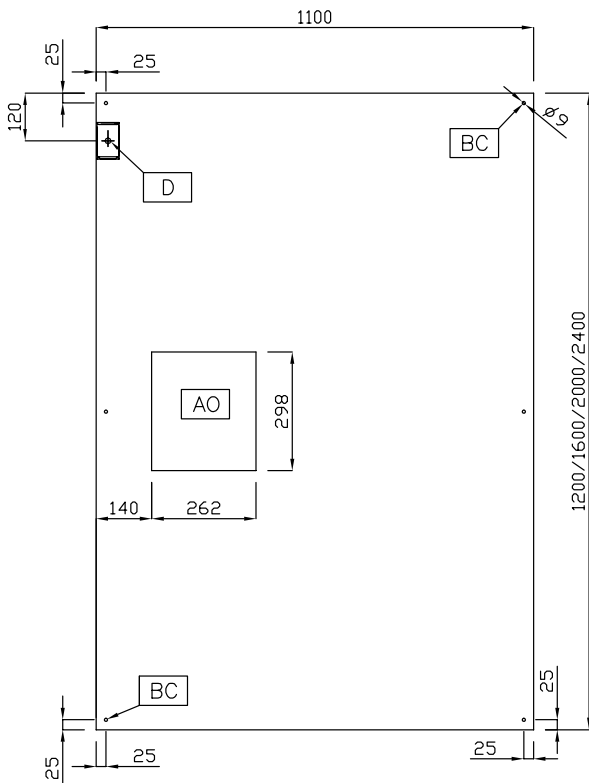
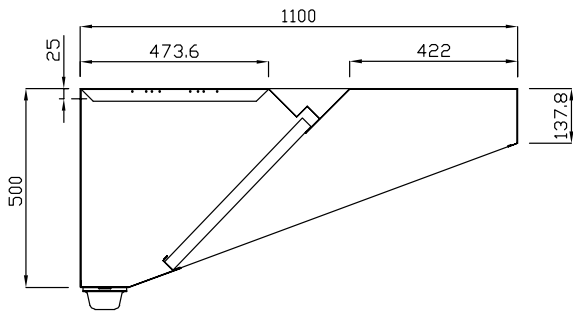
430 AISI WALL TYPE HOODS **ZANUSSI** PROFESSIONAL

FUNCTIONAL AND CONSTRUCTION FEATURES

- ◆ Constructed entirely in 430 AISI stainless steel.
- ◆ Labyrinth filters in 430 AISI stainless steel easily removable for cleaning. Labyrinth filters guarantee constant filtration to avoid clogging and protect against fire.

- ◆ Back drain pipe with drain hole to transfer grease into a 304 AISI container.
- ◆ External panels with upturned edges to avoid injuries.
- ◆ Blind panels in 304 AISI stainless steel for a correct exhaustion.
- ◆ The outlet holes are sized in order to minimize drops in pressure.
- ◆ Pressure gauging for perfect calibration.
- ◆ Condensate collection tray in 304 AISI stainless steel.
- ◆ Eyebolts and screw anchors for ceiling installation.
- ◆ Prearranged for installation of lighting.

TECHNICAL DATA								
CHARACTERISTICS	MODELS							
	MP1112BT 642081	MP1116BT 642082	MP1120BT 642083	MP1124BT 642084	MP1128BT 642085	MP1132BT 642086	MP1136BT 642087	MP1140BT 642088
External dimensions - mm								
width	1200	1600	2000	2400	2800	3200	3600	4000
depth	1100	1100	1100	1100	1100	1100	1100	1100
height	500	500	500	500	500	500	500	500
Air Capacity - mc/h	1500	2000	2500	3000	3400	3900	4400	4900
Net weight - kg.	25	31	38	46	52	59	65	73
INCLUDED ACCESSORIES								
304 S/S BLIND PANEL 400X500H MM	1	1	1	1			1	1
430 S/S LABYRINTH FILTER H=500 MM	2	2	4	4	5	6	6	7



OPTIONAL ACCESSORIES

ACCESSORIES	MODELS							
	MP1112BT 642081	MP1116BT 642082	MP1120BT 642083	MP1124BT 642084	MP1128BT 642085	MP1132BT 642086	MP1136BT 642087	MP1140BT 642088
27-WATT LIGHTING FIXTURE W/1 LAMP-IP 65	680804		680804	680804			680804	680804
36-WATT LIGHTING FIXTURE W/1 LAMP-IP 65		680805			680805	680805	680805	680805
DRAIN FOR HOODS DIAM.1/2"(M) WITH PLUG	640409	640409	640409	640409	640409	640409	640409	640409
FAN FOR VENTIL HOODS+DUCTED EXTRACT.UNIT	640748	640748	640748	640748	640748	640748	640748	640748
SPEED VARIATOR FOR MOTORS UP TO 1.17 KW	640076	640076	640076	640076				
SPEED VARIATOR FOR MOTORS UP TO 1.7 KW					640686	640686	640686	640686



www.zanussiprofessional.com