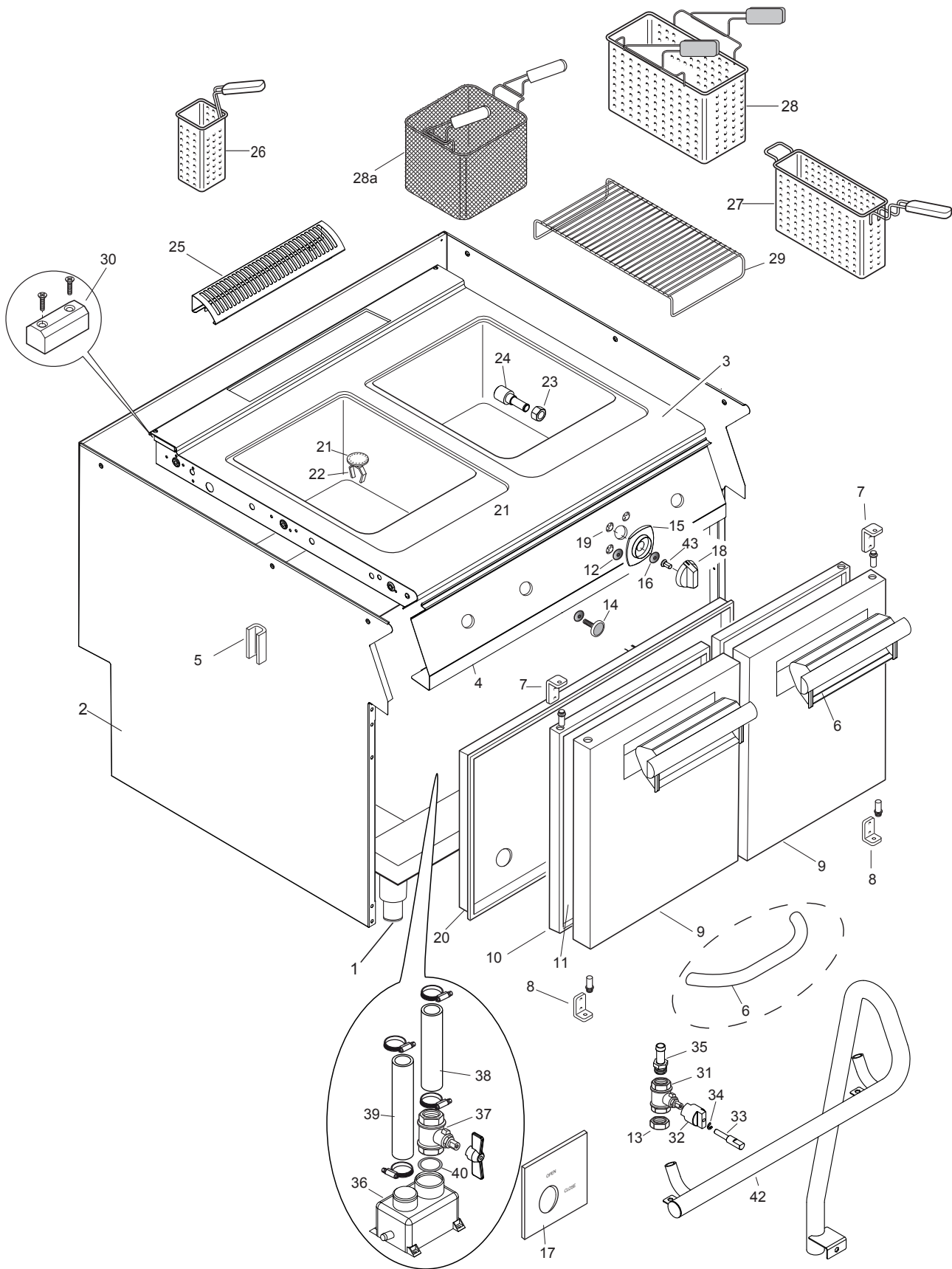
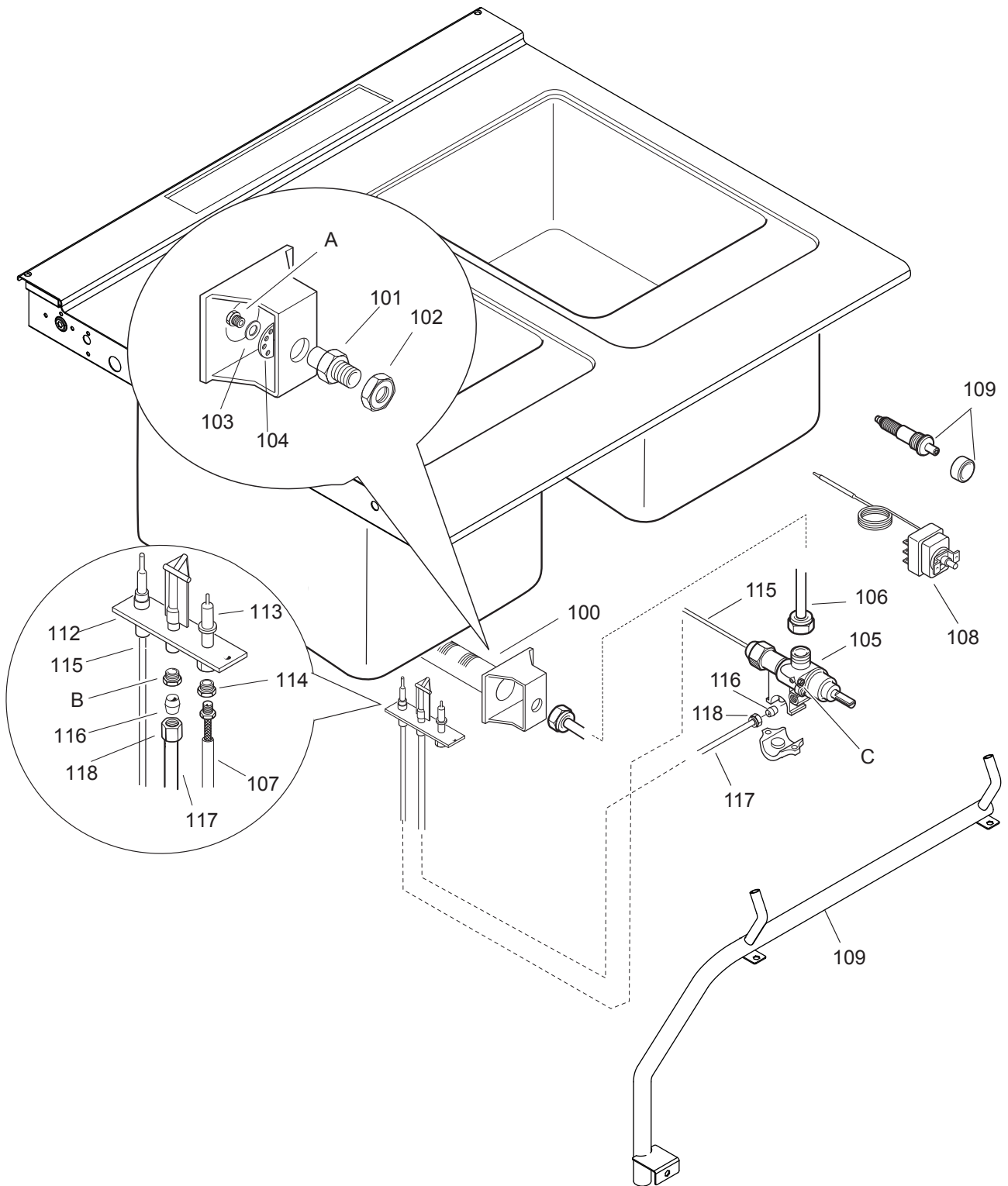


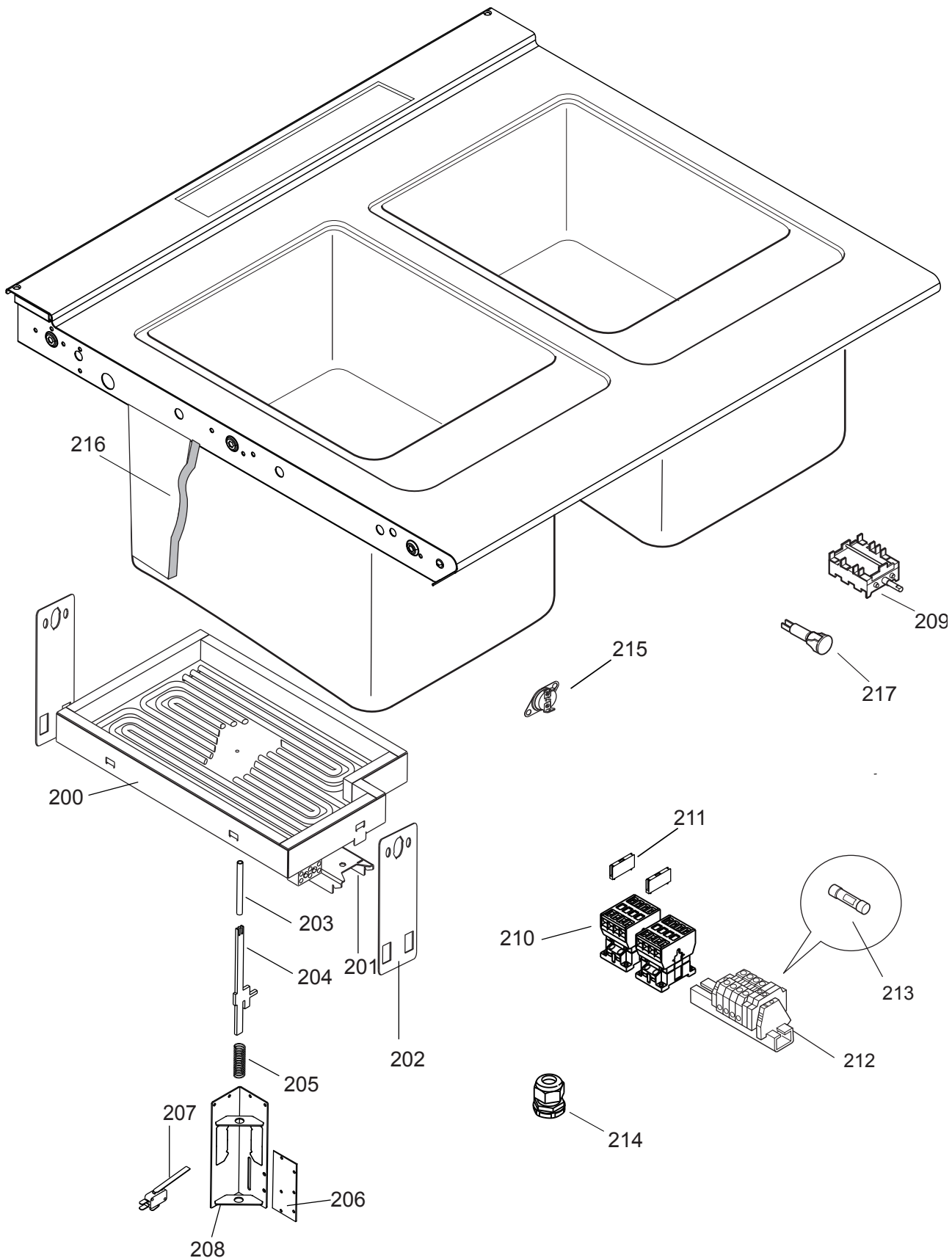
PNC	Model	Ref	Pag.	Brand	Version	Notes
371090	E7PCGD1KF0	a		ELX	GAS	1X40 LT WELL
371091	E7PCGH2KF0	b		ELX	GAS	2X40 LT WELLS
371098	E7PCED1KF0	c		ELX	EL	1X40 LT WELL
371099	E7PCEH2KF0	d		ELX	EL	2X40 LT WELLS
372090	Z7PCGD1KF0	e		ZAN	GAS	1X40 LT WELL
372091	Z7PCGH2KF0	f		ZAN	GAS	2X40 LT WELLS
372098	Z7PCED1KF0	g		ZAN	EL	1X40 LT WELL
372099	Z7PCEH2KF0	h		ZAN	EL	2X40 LT WELLS
373090	A7PCGD1KF0	i		OEM	GAS	1X40 LT WELL
373091	A7PCGH2KF0	l		OEM	GAS	2X40 LT WELLS
373098	A7PCED1KF0	m		OEM	EL	1X40 LT WELL
373099	A7PCEH2KF0	n		OEM	EL	2X40 LT WELLS

Pag	Index	Indice	Note
2	General componets	Componenti struttura	
3	Gas components	Componenti Gas	
4	Electric components	Componenti elettrici	
5,6,7	Spare parts list	Lista ricambi	

Brand/Marchio: All  
 Factory code: 9PDX







<b>A - Ugello bruciatore / Burner nozzle</b>		
<b>Code</b>	<b>6DGT Code</b>	<b>Reference</b>
	-	2H/2E+ G20 20mbar
	-	2H G20 25mbar
	-	2ELL G25 20mbar
	-	2L G25 25mbar
	-	3+3B/P G30 30mbar
	-	3B/P G30 37mbar
	-	3B/P G30 50mbar
	-	2S G25.1 25mbar
		G110

<b>B - Ugello Pilota / Burner nozzle</b>		
<b>Code</b>	<b>6DGT Code</b>	<b>Reference</b>
	-	2H/2E+ G20 20mbar
	-	2H G20 25mbar
	-	2ELL G25 20mbar
	-	2L G25 25mbar
	-	3+3B/P G30 30mbar
	-	3B/P G30 37mbar
	-	3B/P G30 50mbar
	-	2S G25.1 25mbar
		G110

<b>C - Vite Minimo / Min Screw</b>		
<b>Code</b>	<b>6DGT Code</b>	<b>Reference</b>
	-	2H/2E+ G20 20mbar
	-	2H G20 25mbar
	-	2ELL G25 20mbar
	-	2L G25 25mbar
	-	3+3B/P G30 30mbar
	-	3B/P G30 37mbar
	-	3B/P G30 50mbar
	-	2S G25.1 25mbar
		G110
		G120

**COUOCI PASTA E700 XP  
PASTA COOKER E700 XP**

Pos	Factory Code	6DGT Code	Descrizione	Description	Ref./Note
			<b>Pagina 2</b>	<b>Page 2</b>	
1	0835856900	0C0204	PIEDE	FOOT	
2	085089FD00	*	ASSIEME FASCIA 400	SIDE PANEL 400	ELX
2	085089FF00	*	ASSIEME FASCIA 800	SIDE PANEL 800	ELX
2	085089FH00	*	ASSIEME FASCIA 400	SIDE PANEL 400	ZAN, OEM
2	085089FJ00	*	ASSIEME FASCIA 800	SIDE PANEL 800	ZAN, OEM
3	087089BK00	0C7218	RIPIANO / VASCA 400 MM	WORKTOP / TANK 400mm	ELX, EL Version
3	087089BL00	*	RIPIANO / VASCA 800 MM	WORKTOP / TANK 800mm	ELX, EL Version
3	087089BM00	0C7628	RIPIANO / VASCA 400 MM	WORKTOP / TANK 400mm	ELX, GAS Version
3	087089BN00	0C7629	RIPIANO / VASCA 800 MM	WORKTOP / TANK 800mm	ELX, GAS Version
3	087089MC00	0C7632	RIPIANO / VASCA 400 MM	WORKTOP / TANK 400mm	ZAN, OEM, EL Version
3	087089MD00	0C7633	RIPIANO / VASCA 800 MM	WORKTOP / TANK 800mm	ZAN, OEM, EL Version
3	087089MC00	0C7632	RIPIANO / VASCA 400 MM	WORKTOP / TANK 400mm	ZAN, OEM, GAS Version
3	087089MD00	0C7633	RIPIANO / VASCA 800 MM	WORKTOP / TANK 800mm	ZAN, OEM, GAS Version
4	085089BF00	0C7620	CRUSCOTTO 400mm	CONTROL PANEL 400mm	ELX, EL Version
4	085089AF00	0C7136	CRUSCOTTO 800mm	CONTROL PANEL 800mm	ELX, EL Version
4	085089AB00	0C7135	CRUSCOTTO 400mm	CONTROL PANEL 400mm	ELX, GAS Version
4	085089BD00	0C7138	CRUSCOTTO 800mm	CONTROL PANEL 800mm	ELX, GAS Version
4	085089FN00	0C7389	CRUSCOTTO 400mm	CONTROL PANEL 400mm	ZAN, EL Version
4	085089FP00	0C7390	CRUSCOTTO 800mm	CONTROL PANEL 800mm	ZAN, EL Version
4	087089GY00	0C7222	CRUSCOTTO 400mm	CONTROL PANEL 400mm	ZAN, GAS Version
4	085089FM00	0C7388	CRUSCOTTO 800mm	CONTROL PANEL 800mm	ZAN, GAS Version
4	0502899K00	*	CRUSCOTTO 400mm	CONTROL PANEL 400mm	OEM, EL Version
4	0502899Y00	*	CRUSCOTTO 800mm	CONTROL PANEL 800mm	OEM, EL Version
4	0502899Z00	*	CRUSCOTTO 400mm	CONTROL PANEL 400mm	OEM, GAS Version
4	0502899N00	*	CRUSCOTTO 800mm	CONTROL PANEL 800mm	OEM, GAS Version
5	0527850500	0C0156	PIASTRA FISSAGGIO FIANCHI	SIDE PANEL JOINTING PLATE	
6	051589A700	0C7164	MANIGLIA	HANDLE	ELX
6	054887A800	*	MANIGLIA	HANDLE	ZAN
6	0854864203	0A5021	MANIGLIA	HANDLE	OEM
7	0516860901	0C0139	CERNIERA SUP.	UPPER. HINGE, DOOR	
8	0516860801	0C0138	CERNIERA INF.	BOTTOM HINGE, DOOR	
9	050389G300	0C7157	PORTA	DOOR	ELX, ZAN
9	050389G300	0C7157	PORTA	DOOR	OEM
10	050489CQ00	0C7158	CONTROPORTA	INNER DOOR OVEN	
11	0549803301	0C7166	ISOLANTE PORTA	DOOR INSULATION	
*	085089AA01	0C7156	ASSIEME PORTA NO MANIGLIA	COMPLETE DOOR NOT HANLE	
12	0541813800	0C6171	RONDELLA IN SILICONE	SILICONE WASHER	
13	0516875100	*	CONTRODADO	NUT	
14	0830898200	0C0201	MAGNETE	MAGNET, DOOR	
15	0548877Y00	0C7134	GHIERA COMMUTATORE	RING, KNOB SWITCH	ELX
15	0548876G00	0C6802	GHIERA RUBINETTO ACQUA	RING, KNOB WATER REGULATION	ELX
15	0548877X00	0C7178	GHIERA RUBINETTO GAS	RING, KNOB GAS REGULATION	ELX
15	054887A400	0C7386	GHIERA COMMUTATORE	RING, KNOB SWITCH	ZAN
15	0548876G00	0C6802	GHIERA RUBINETTO ACQUA	RING, KNOB WATER REGULATION	ZAN
15	0548879F00	0C7243	GHIERA RUBINETTO GAS	RING, KNOB GAS REGULATION	ZAN
15	054887A400	0C7386	GHIERA COMMUTATORE	RING, KNOB SWITCH	OEM
15	0548879H00	0C7385	GHIERA RUBINETTO ACQUA	RING, KNOB WATER REGULATION	OEM
15	0548879F00	0C7243	GHIERA RUBINETTO GAS	RING, KNOB GAS REGULATION	OEM
16	0543821000	053816	GUARNIZIONE X MANOPOLA	GASKET, KNOB	
17	0505899T01	0TTA07	PIASTRINA SCARICO	DRAIN PLATELET INDICATOR	GAS
18	0511850G01	0C6670	MANOPOLA RUBINETTO ACQUA	KNOB WATER REGULATOR	ELX
18	0548878200	0C7232	MANOPOLA RUBINETTO ACQUA	KNOB WATER REGULATOR	ZAN
18	0548878201	0C7232	MANOPOLA GAS E COMMUTATORE	KNOB, GAS AND SWITH	ZAN
18	0548865700	0C1380	MANOPOLA RUBINETTO ACQUA	KNOB WATER REGULATOR	OEM
18	0548865500	0A5621	MANOPOLA GAS E COMMUTATORE	KNOB, GAS AND SWITH	OEM

**COUCI PASTA E700 XP  
PASTA COOKER E700 XP**

<i>Pos</i>	<i>Factory Code</i>	<i>6DGT Code</i>	<i>Descrizione</i>	<i>Description</i>	<i>Ref./Note</i>
19	0218912211	069567	MOLLETTA PER GHIERA	RING, RING KNOB	
20	050489CR02	*	PANNELLO FRONTALE 400mm	FRONTAL PANEL 400mm	
20	050489D402	*	PANNELLO FRONTALE 800mm	FRONTAL PANEL 800mm	
21	0506864501	004836	FILTRO FONDO	BOTTOM FILTER	
22	0514848300	054905	MOLLA PER FILTRO FONDO	SPRING, FILTER	
23	0516875100		CONTRODADO GETTO	WATER TAP NUT	
24	0511832001	0C5935	GETTO ACQUA	WATER TAP	
25	050389LP00	0C7333	GRIGLIA CAMINO	CHIMNEY GRID	
26	F921618	004872	CESTELLO 105X160	BASKET 105X160	
27	F921619	004873	CESTELLO 105X350	BASKET 105X350	
28	F921611	004874	CESTELLO 220X350	BASKET 220X350	
28a	F921610	004875	CESTELLO 220X170	BASKET 220X170	
29	F921606	004876	GRIGLIA DI FONDO	FALSE BOTTOM, PASTA COOKER	
30	0516860702	0C0137	PIASTRA GIUNZIONE APPARECC.	JOINTING REAR PLATE	
31	0A05001400	056843	VALVOLA CARICO ACQUA	INLET VALVE	
32	0A05537100	0A2563	ADATTATORE VALVOLA	VALVE ADAPTER	
33	051489AX00	0C7229	PERNO MANOPOLA	HINGE KNOB	
34	0219034011	*	SEGER	SEGER	
*	080589AP01	0C7193	ASSIEME RUBINETTO	COMPLETE INLET VALVE	
35	0514839100	0C5056	PORTAGOMMA	PIPE CONNECTION	
36	0544825900	0C6907	RACCORDO DI SCARICO	DRAIN JUNCTION	
37	080589A301	0C6799	VALVOLA SCARICO	DRAIN VALVE	
*	0855899X00	0C6953	ASSIEME RACCORDO DI SCARICO	COMPLETE DRAIN JUNCTION	
38	0544825D00	0C7132	TUBO SCARICO	DRAIN PIPE	
39	0544825F00	0C7133	TUBO TROPPO PIENO	TOO FULL PIPE	
41	0543827500	0C6800	OR	OR	
*	0516899A01	*	ANELLO ELASTICO		
42	083089DB01	0C7194	RIBALTA ACQUA	WATER PIPING	1x40 WELL
42	083089DC01	0C7623	RIBALTA ACQUA	WATER PIPING	2x40 WELL
43	0548877V00	0C7345	ADATTATORE MANOPOLA	KNOB, ADAPTER	ELX
			<b>Pagina 3</b>	<b>Page 3</b>	
100	083089D300	0C6795	BRUCIATORE	BURNER	
100	0514829700	054118	PORTAUGELLO	INJECTOR HOLDER	
101	0214105101	020997	CONTRODADO	LOCK NUT	
102	0506833401	054029	GUARNIZIONE	GASKET	
103	0830828001	054039	AERATORE	AERATOR	
104	0835875R00	0C7371	RUBINETTO GAS	GAS COCK	
105	080589AN00	*	CONDOTTA GAS	GAS PIPE	
106	0638883500	006514	CAVO ELETTRODO	SPARK PLUG CABLE	
107	0646809901	005295	LIMITATORE	LIMITER	
108	0835829600	059251	ACCENDITORE	IGNITER	
109	083089DD00	*	RIBALTA GAS	INLET GAS PIPING	1x40 WELL
109	083089DA00	*	RIBALTA GAS	INLET GAS PIPING	2x40 WELL
110					
111	0830828100	054032	BRUCIATORE PILOTA	PILOT BURNER	
112	0330272401	052610	ELETTRODO; ACCENSIONE	ELECTRODE	
113	0214164400	052125	RACCORDO	PIPE FITTING	
114	0831818901	0C3162	TERMOCOPPIA INTERROTTA	THERMOCOUPLE	
115	0515827401	053665	BICONO	DOUBLE CONE	
116	051589A901	*	CONDUTTURA PILOTA	PIPE, PILOT	
117	0214164400	052125	RACCORDO	PIPE FITTING	
118	0835820700	056742	VITE MINIMO		

**COUOCI PASTA E700 XP  
PASTA COOKER E700 XP**

<i>Pos</i>	<i>Factory Code</i>	<i>6DGT Code</i>	<i>Descrizione</i>	<i>Description</i>	<i>Ref./Note</i>
			<b>Pagina 4</b>	<b>Page 4</b>	
200	0617839900	0C7625	RESISTENZA	HEATING ELEMENT	
201	0538831803	*	SUPPORTO RESISTENZA	H.E. SUPPORT	
202	*	*	SUPPORTO RESISTENZA	H.E. SUPPORT	
203	0569807501	*	BACCHETTA IN STEATITE	ROD	
204	0511833002	0C5964	ASTA AZIONAMENTO MICRO	SLIDE BAR	
205	0514828600	053819	MOLLA	SPRING	
206	0246214023	045404	PIASTRINA ISOLANTE MICRO	MICRO INSULATION	
207	0640800800	053671	MICRO-INTERRUTTORE	MICROSWITCH	
208	0538831902	*	SICUREZZA MECCANICA	SECURITY SUPPORT	
209	0641805100	0C7353	COMMUTATORE	SWITCH	
210	0648807900	*	CONTATTORE	CONTACTOR	
211	0H58194500	*	CONTATTO AUSILIARIO	AUXILIARY CONTACT	
212	0639806600	006854	MOSETTIERA	TERMINAL BOARD	
213	*	*	FUSIBILE	FUSE	
214	0544802300	0C0068	PASSACAVO	TOGHTENER CORD	
215	0653800000	0C6155	PROTEZIONE TERMICA	THERMIC SECURITY	
216	0560873901	*	ISOLAMENTO	INSULATION	
217	0876800002	005010	LAMPADA VERDE	GREEN LAMP	