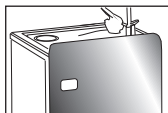


## Pressure Water Cooler



(SCW 14) Vers. "B"



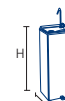
Stainless Steel Back Panel (standard)



### Features

- Refrigerated drinking water fountain.
- Includes foot pedal activated projector and push button activated water glass filler.
- Water thermostat positioned behind the front panel for ease of reach.
- Delivers 50 liters per hour (13.2 gph) of 8°-12°C (46°-53°F) water (at 32°C-90°F ambient and 21°C-70°F inlet water temperatures).
- Cabinet and base finish, as well as all interior metal parts, in Stainless Steel.
- Easily removable front panel for routine maintenance & technical service access purposes.
- "Pierce Yourself" style incoming/outgoing utilities passages and internal connection turrets allow for maximum installation flexibility.
- High-efficiency water cooling tank and coil.
- Stainless Steel basin is designed to eliminate splashing and stagnant water.
- Waterways are lead-free.
- Operable on 220-240 volts, 50/60 Hz.
- Special 115/60/1 model available upon request.
- Cooling system uses R-134a refrigerant.
- Complies with ADA requirements when properly installed.
- Limited 2 years Warranty against manufacturing defects.

### Technologies



|          | [°C]   | [°F]    | [l/h] | [gal/h] |
|----------|--------|---------|-------|---------|
| SCW 14 B | 8 ÷ 12 | 46 ÷ 53 | 50    | 13.2    |

[WxDxH mm]  
400x330x1040

[WxDxH inches]  
16x13x41



[w/Hz/ph]  
230/50-60/1



R 134 a

This product qualifies for the following listings:



Note:

Complete with foot pedal activated glass filler and push button activated projector. AISI 304 stainless steel.

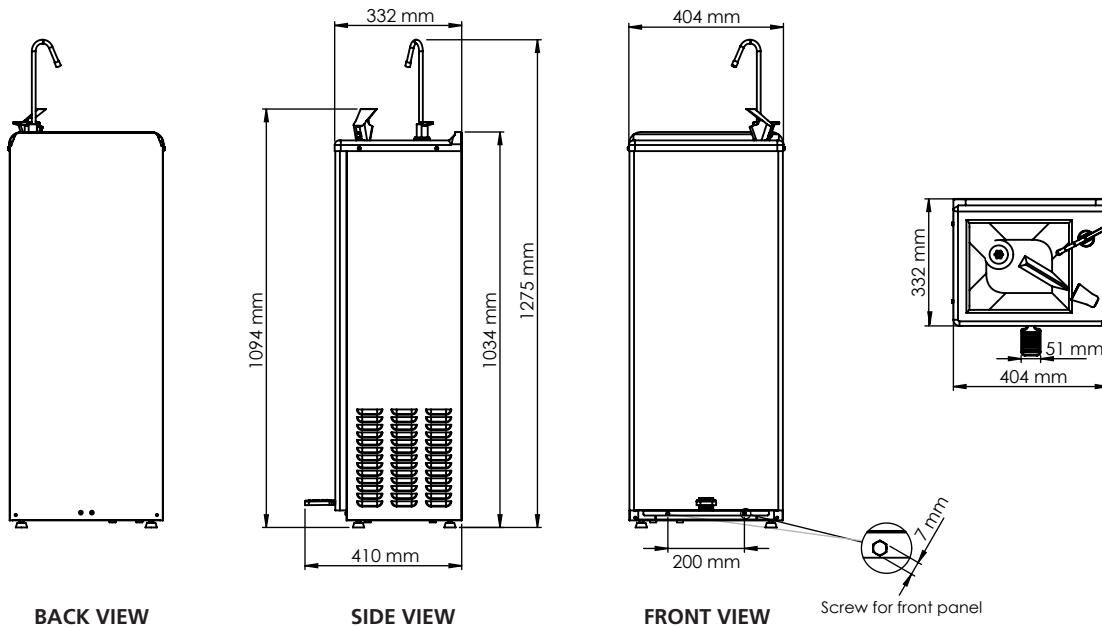
**2** Years Warranty

Subject to certain limitations and exclusions

Certified ISO 9001:2008

[www.scotsman-ice.it](http://www.scotsman-ice.it)  
[www.scotsman-ice.com](http://www.scotsman-ice.com)

Models and specifications are subject to change without notice.



Can be used free standing or wall tight to avoid unsightly connections.  
 Exclusive Projector Design: 2-stream mound-building projector and automatic stream regulator.  
 Plumbing Connections: "Pierce yourself"  
 Water supply 8 mm (3/7") IPS.  
 Finish: stainless steel.

|                 |  |                 |
|-----------------|--|-----------------|
|                 |  |                 |
| Minimum         |  | Maximum         |
| 10°C (50°F)     |  | 40°C (104°F)    |
| 5°C (41°F)      |  | 35°C (95°F)     |
| -10%            |  | +10%            |
| 1 BAR<br>14 psi |  | 5 BAR<br>70 psi |

|         | +C°<br>-C° | [Btu/h] [W] | [Ømm²] | [W] | FUSE | [kWh] | [kg] [lbs] | [kg] [lbs] |
|---------|------------|-------------|--------|-----|------|-------|------------|------------|
| SCW14 B |            | 1208 353    | 3x1    | 250 | 10   | 0,25  | 33 73      | 36 79      |

**IMPORTANT NOTICE:**  
 Models and specifications are subject to change without notice.  
 This spec sheet is meant for commercial purpose only.  
 For technical documentation please refer to our service manuals.

[www.scotsman-ice.it](http://www.scotsman-ice.it)  
[www.scotsman-ice.com](http://www.scotsman-ice.com)