

RANGE COMPOSITION

EVO700: range comprised of over 100 models designed to guarantee the highest level of performance, reliability, energy saving, safety standards and ergonomic operation. These concepts are reflected throughout the line in its modularity, construction and numerous configurations. Thanks to its advance technology and premium performance, the EVO700 is a perfect solution for institutions with a limited footprint as well as restaurants needing to obtain the most from the kitchen space. The models detailed in this sheet are electric ranges with 4/6 hot plates on electric oven.



EVO700

ELECTRIC RANGES **ZANUSSI** PROFESSIONAL

FUNCTIONAL AND CONSTRUCTION FEATURES

- ◆ Cast-iron hot plates hermetically sealed to the one-piece top, with safety thermostat.
- ◆ Hot plates each having a power of 2,6 kW with regulation in steps.
- ◆ Electric oven with switch knob to control top and bottom heating elements. Oven thermostat adjustable from 140° to 300°C and power of 6 kW.
- ◆ Worktop in 1,5mm stainless steel. Front panel in stainless steel with Scotch Brite finish.
- ◆ All models have right-angled side edges to allow flush-fitting joins between units, eliminating gaps and possible dirt traps.
- ◆ Stainless steel oven chamber with 3 levels of runners to accommodate 2/1GN shelves.
- ◆ Feet in stainless steel adjustable in height 50mm.

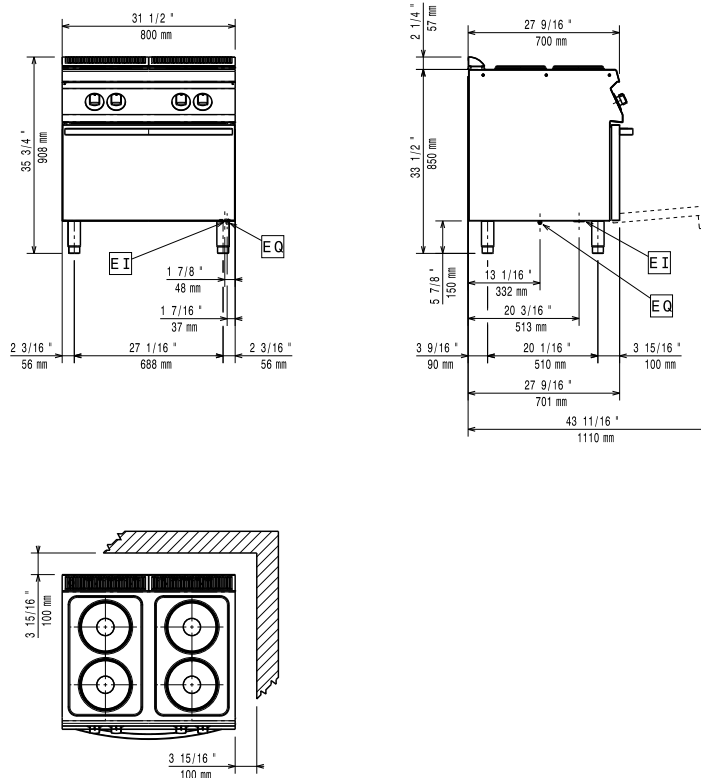
TECHNICAL DATA				
CHARACTERISTICS	MODELS			
	Z7ECEH4RE0 372016	Z7ECEH4QE0 372018	Z7ECEH4QEN 372129	Z7ECEH4REN 372128
Power supply	Electric	Electric	Electric	Electric
External dimensions - mm				
width	800	800	800	800
depth	700	700	700	700
height	850	850	850	850
Oven cavity - mm				
width	540	540	540	540
depth	650	650	650	650
height	300	300	300	300
Oven				
heat input - kW	6	6	6	6
temperature min-max - °C	140, 300	140, 300	140, 300	140, 300
Back plate dimensions - mm	Ø 230, Ø 230	Ø 230, Ø 230	Ø 230, Ø 230	Ø 230, Ø 230
Back plates power - kW	2,6, 2,6	2,6, 2,6	2,6, 2,6	2,6, 2,6
Front plates dimension - mm	Ø 230, Ø 230	Ø 230, Ø 230	Ø 230, Ø 230	Ø 230, Ø 230
Front plates power - kW	2,6, 2,6	2,6, 2,6	2,6, 2,6	2,6, 2,6
Total Power - kW	16,4	16,4	16,4	16,4
Net weight - kg.	80	80	80	80
Supply voltage	400 V, 3N, 50/60	400 V, 3N, 50/60	230 V, 3, 50/60	230 V, 3, 50/60
INCLUDED ACCESSORIES				
2/1 GN CHROME GRID	1	1	1	1

- ◆ Recessed, double skinned, insulated door for air-tight closure and better hygiene.
- ◆ Oven cavity in stainless steel with vitreous enamelled ribbed base plate to allow for the direct placement of pans.
- ◆ The special design of the control knobs and bezels guarantees against water infiltration.
- ◆ IPX4 water protection.
- ◆ Main connections can be via the base of the unit.

OPTIONAL ACCESSORIES				
ACCESSORIES	MODELS			
	Z7ECEH4RE0 372016	Z7ECEH4QE0 372018	Z7ECEH4QEN 372129	Z7ECEH4REN 372128
2 SIDE COVERING PANELS H=700-D=700-Z/OEM	206319	206319	206319	206319
2 SIDE KICKING STRIPS - 700 LINE	206249	206249	206249	206249
2 SIDE KICKING STRIPS-CONCRETE INST-700	206265	206265	206265	206265
2/1 GN CHROME GRID	164250	164250	164250	164250
4 FEET FOR CONCRETE INSTALLATION	206210	206210	206210	206210
4 WHEELS (2 WITH BRAKE)	206188	206188	206188	206188
CHIMNEY UPSTAND 800MM	206304	206304	206304	206304
FLANGED FEET KIT	206136	206136	206136	206136
FRONT.KICK.STRIP F.CONCRETE INST.1000 MM	206150	206150	206150	206150
FRONT.KICK.STRIP F.CONCRETE INST.1200 MM	206151	206151	206151	206151
FRONT.KICK.STRIP F.CONCRETE INST.1600 MM	206152	206152	206152	206152
FRONT.KICK.STRIP F.CONCRETE INST.200 MM	206146	206146	206146	206146
FRONT.KICK.STRIP F.CONCRETE INST.400 MM	206147	206147	206147	206147
FRONT.KICK.STRIP F.CONCRETE INST.800 MM	206148	206148	206148	206148
FRONTAL HANDRAIL 1200 MM	206191	206191	206191	206191
FRONTAL HANDRAIL 1600 MM	206192	206192	206192	206192
FRONTAL HANDRAIL 800 MM	206167	206167	206167	206167
FRONTAL KICKING STRIP 1000 MM	206177	206177	206177	206177
FRONTAL KICKING STRIP 1200 MM	206178	206178	206178	206178
FRONTAL KICKING STRIP 1600 MM	206179	206179	206179	206179
FRONTAL KICKING STRIP 200 MM	206174	206174	206174	206174
FRONTAL KICKING STRIP 400 MM	206175	206175	206175	206175
FRONTAL KICKING STRIP 800 MM	206176	206176	206176	206176
LARGE HANDRAIL(PORTIONING SHELF)400 MM	206185	206185	206185	206185
LARGE HANDRAIL(PORTIONING SHELF)800 MM	206186	206186	206186	206186
SIDE HANDRAIL-RIGHT/LEFT HAND-700 LINE	206240	206240	206240	206240
WATER COLUMN EXTENSION FOR 700 LINE	206291	206291	206291	206291
WATER COLUMN WITH SWIVEL ARM	206289	206289	206289	206289



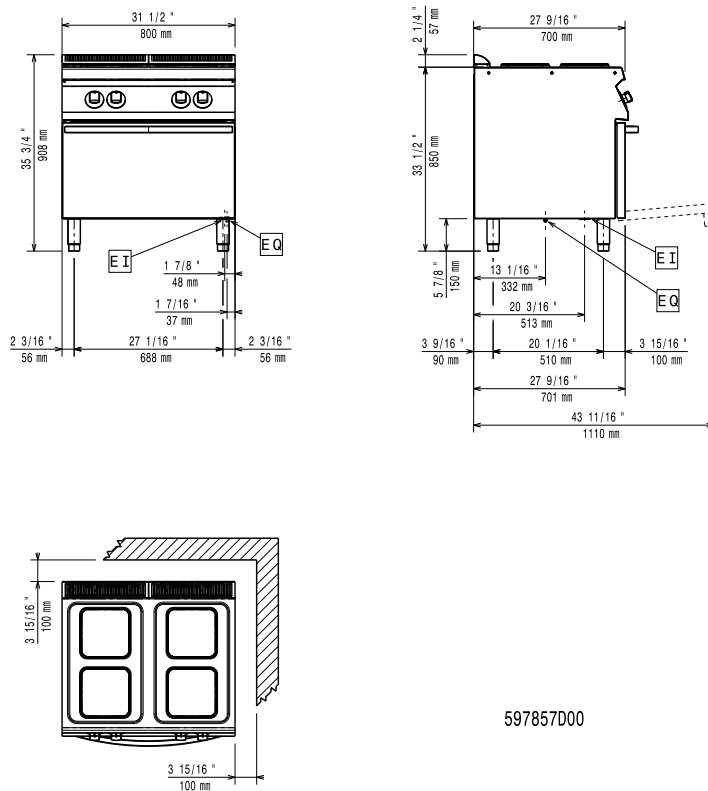
www.zanussiprofessional.com



LEGEND		
	Z7ECEH4RE0 372016	Z7ECEH4REN 372128
EI - Electrical connection	400 V, 3N, 50/60	230 V, 3, 50/60



www.zanussiprofessional.com



LEGEND		
	Z7ECEH4QE0 372018	Z7ECEH4QEN 372129
EI - Electrical connection	400 V, 3N, 50/60	230 V, 3, 50/60



www.zanussiprofessional.com