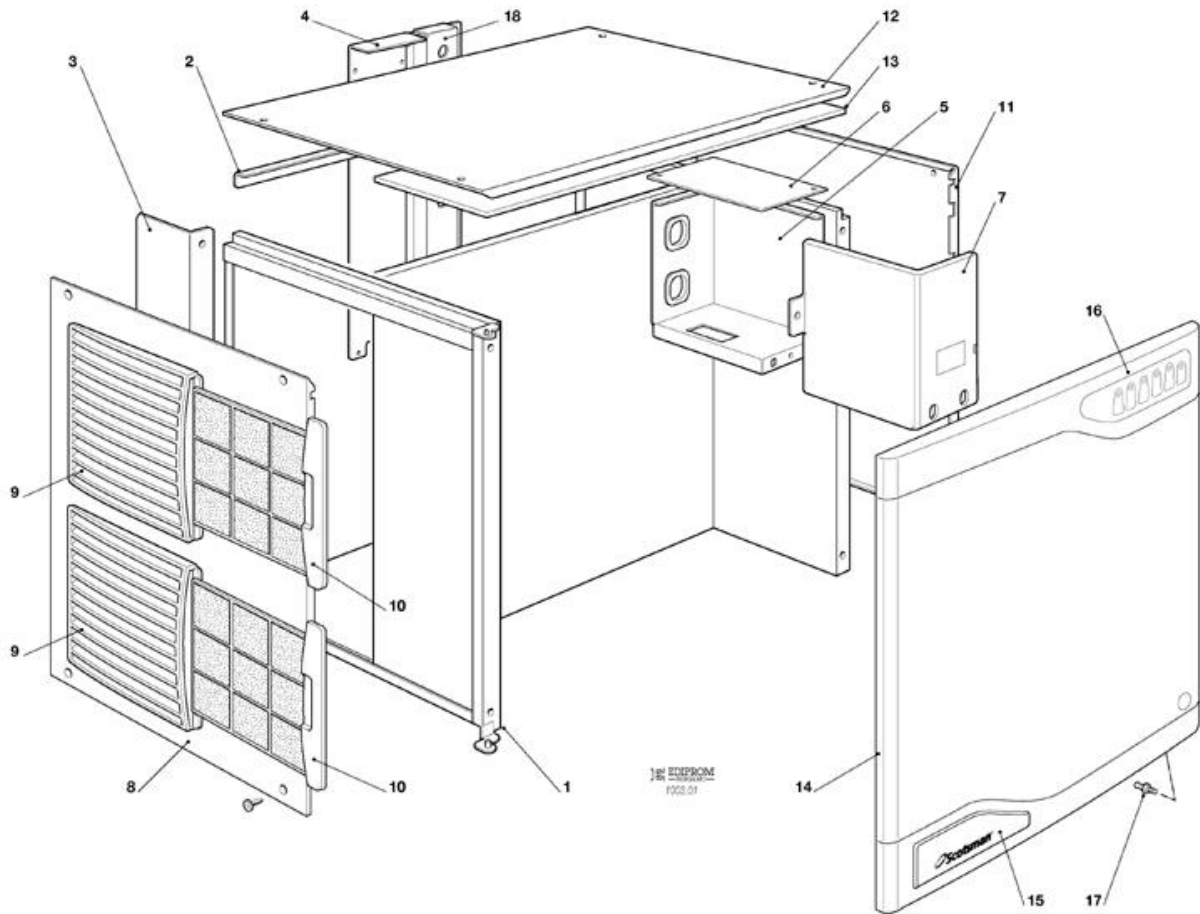
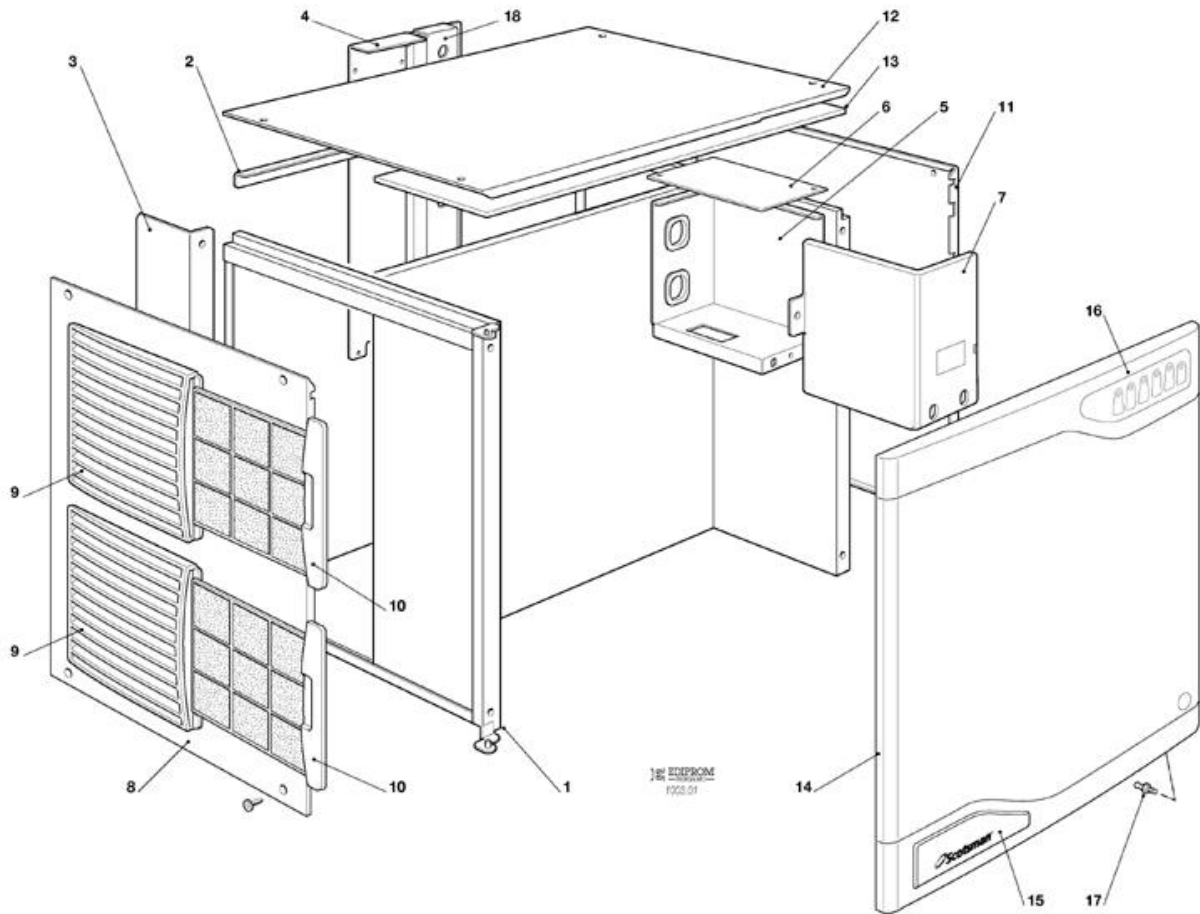


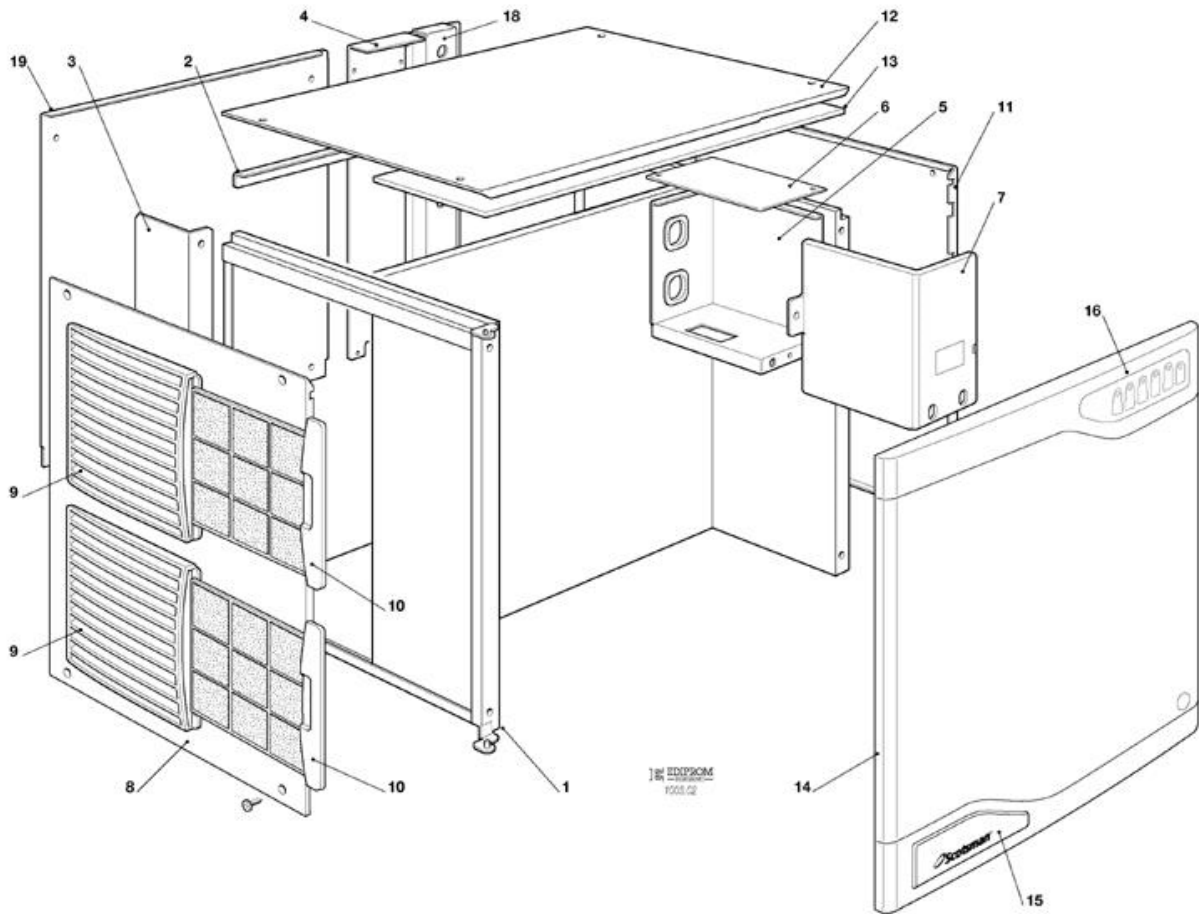
- 1 UNIT PANELS – AIR COOLED – UP TO S.N. 01054
- 2 UNIT PANELS – AIR COOLED – FROM S.N. 01055
- 3 UNIT PANELS – WATER COOLED – UP TO S.N. 01054
- 4 UNIT PANELS – WATER COOLED – FROM S.N. 01055
- 5 REFRIGERANT SYSTEM AIR COOLED
- 6 REFRIGERANT SYSTEM WATER COOLED – UP TO S.N. 01163
- 7 REFRIGERANT SYSTEM WATER COOLED – FROM S.N. 01164
- 8 WATER SYSTEM - UP TO S.N. 0500
- 9 WATER SYSTEM - FROM S.N. 0501
- 10 P.C. BOARD AND SENSORS ASSY - UP TO S.N. 00047
- 11 P.C. BOARD AND SENSORS ASSY - FROM S.N. 00048



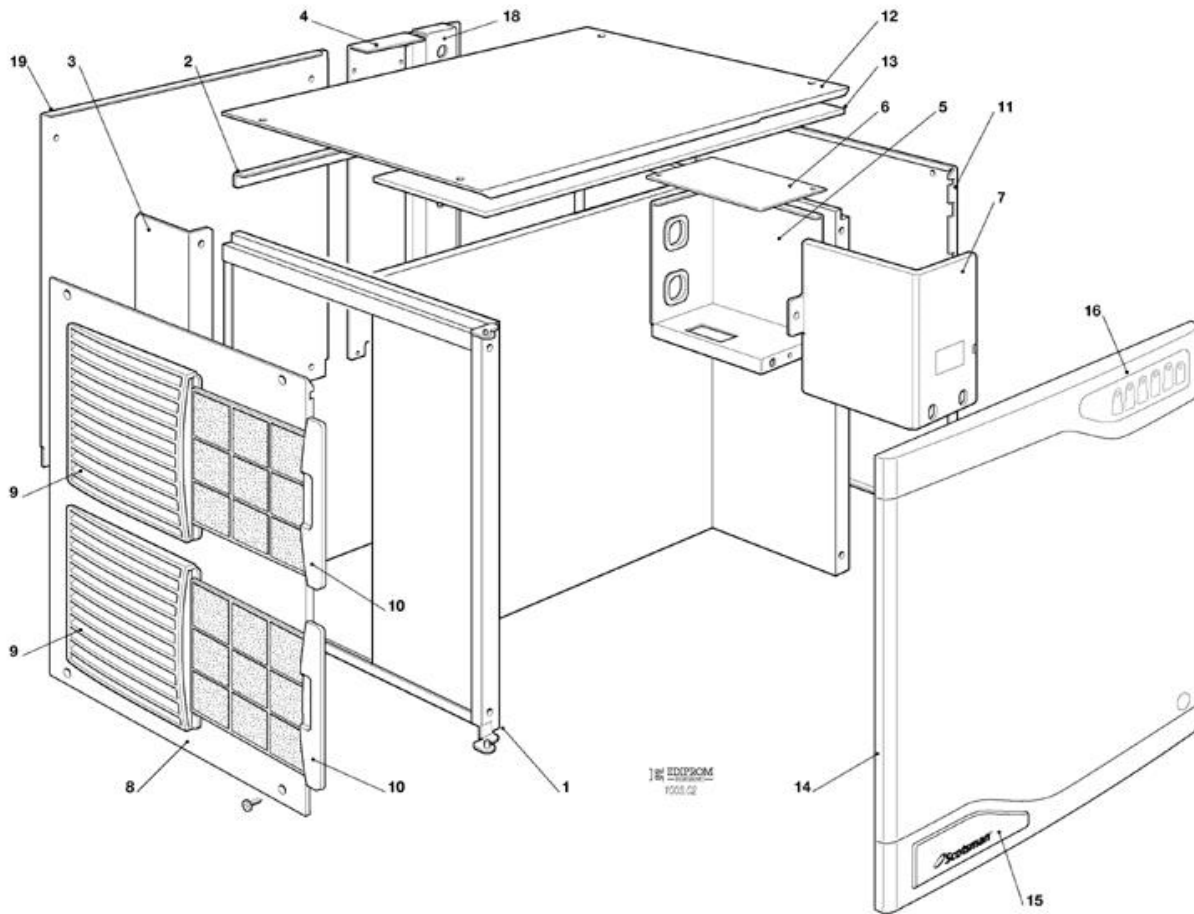
Pos	Code	Description
0001	SCCM 81454468	UNIT FRAME
0002	SCCM 25753313	METAL BRACKET
0003	SCCM 25260483	AIR BAFFLE
0005	SCCM 25160730	CONTROL BOX
0006	SCCM 25160729	CONTROL BOX TOP
0007	SCCM 25160731	CONTROL BOX COVER
0008	SCCM 81455131	LEFT SIDE PANEL ASSY
0009	SC02004224 01	PLASTIC LOUVER PANEL
0010	SC02004212 01	PLASTIC FILTER
0011	SCCM 25330877	RIGHT SIDE PANEL
0012	SCCM 81454414	TOP PANEL ASSY
0013	SCCM 25410110	INSULATION
0014	SCCM 12436041	HOLDING NUT
0014	SCCM 19650210	PIN WITH SPRING
0014	SCCM 25620353	FRONT PANEL PLASTIC FRAME
0014	SCCM 25728013	PLASTIC CAP
0014	SCCM 81454462	FRONT PANEL ASSY
0015	SCCM 19263100	MV 426 LOGO
0016	SCCM 19262790	LABEL, MONITORING PANEL
0017	SCCM 12521135	RUBBER WASHER
0017	SCCM 12726205	SCREW & WASHER
0018	SCCM 25725605	WATER HOOK UP PANEL



Pos	Code	Description
0001	SCCM 81454468	UNIT FRAME
0002	SCCM 25753313	METAL BRACKET
0003	SCCM 25260483	AIR BAFFLE
0005	SCCM 25160730	CONTROL BOX
0006	SCCM 25160729	CONTROL BOX TOP
0007	SCCM 25160731	CONTROL BOX COVER
0008	SCCM 81455131	LEFT SIDE PANEL ASSY
0009	SC02004224 01	PLASTIC LOUVER PANEL
0010	SC02004212 01	PLASTIC FILTER
0011	SC02004212 01	PLASTIC FILTER
0011	SCCM 25330905	RIGHT SIDE PANEL ONLY
0011	SCCM 25725529	PLASTIC LOUVER
0011	SCCM 81454661	RIGHT SIDE PANEL ASSY
0012	SCCM 81454414	TOP PANEL ASSY
0013	SCCM 25410110	INSULATION
0014	SCCM 12436041	HOLDING NUT
0014	SCCM 19650210	PIN WITH SPRING
0014	SCCM 25620353	FRONT PANEL PLASTIC FRAME
0014	SCCM 25728013	PLASTIC CAP
0014	SCCM 81454462	FRONT PANEL ASSY
0015	SCCM 19263100	MV 426 LOGO
0016	SCCM 19262790	LABEL, MONITORING PANEL
0017	SCCM 12521135	RUBBER WASHER
0017	SCCM 12726205	SCREW & WASHER
0018	SCCM 25725605	WATER HOOK UP PANEL

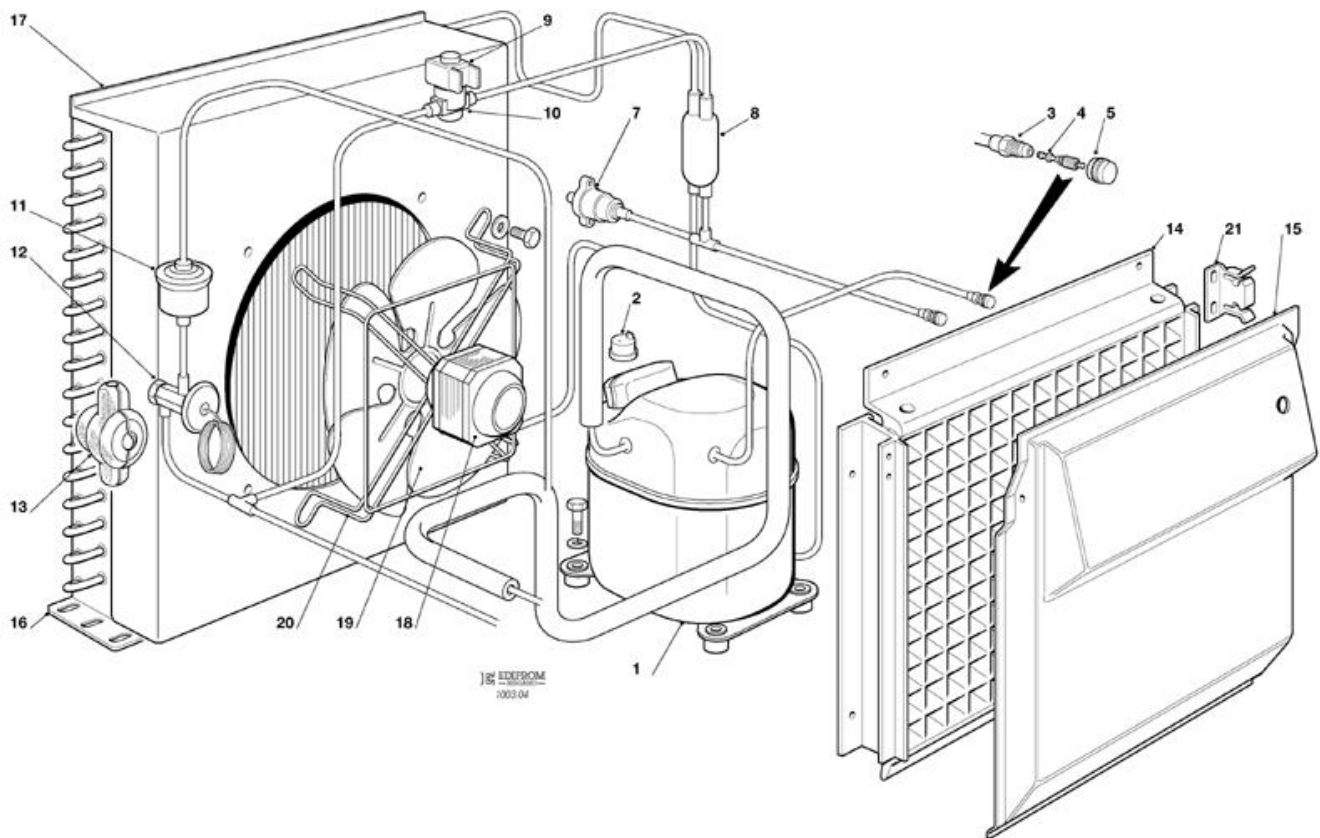


Pos	Code	Description
0001	SCCM 81454468	UNIT FRAME
0002	SCCM 25753313	METAL BRACKET
0003	SCCM 25260483	AIR BAFFLE
0005	SCCM 25160730	CONTROL BOX
0006	SCCM 25160729	CONTROL BOX TOP
0007	SCCM 25160731	CONTROL BOX COVER
0008	SCCM 81455131	LEFT SIDE PANEL ASSY
0009	SC02004224 01	PLASTIC LOUVER PANEL
0010	SC02004212 01	PLASTIC FILTER
0011	SCCM 25330877	RIGHT SIDE PANEL
0012	SCCM 81454414	TOP PANEL ASSY
0013	SCCM 25410110	INSULATION
0014	SCCM 12436041	HOLDING NUT
0014	SCCM 19650210	PIN WITH SPRING
0014	SCCM 25620353	FRONT PANEL PLASTIC FRAME
0014	SCCM 25728013	PLASTIC CAP
0014	SCCM 81454462	FRONT PANEL ASSY
0015	SCCM 19263100	MV 426 LOGO
0016	SCCM 19262790	LABEL, MONITORING PANEL
0018	SCCM 25725605	WATER HOOK UP PANEL
0019	SCCM 25550900	BACK PANEL

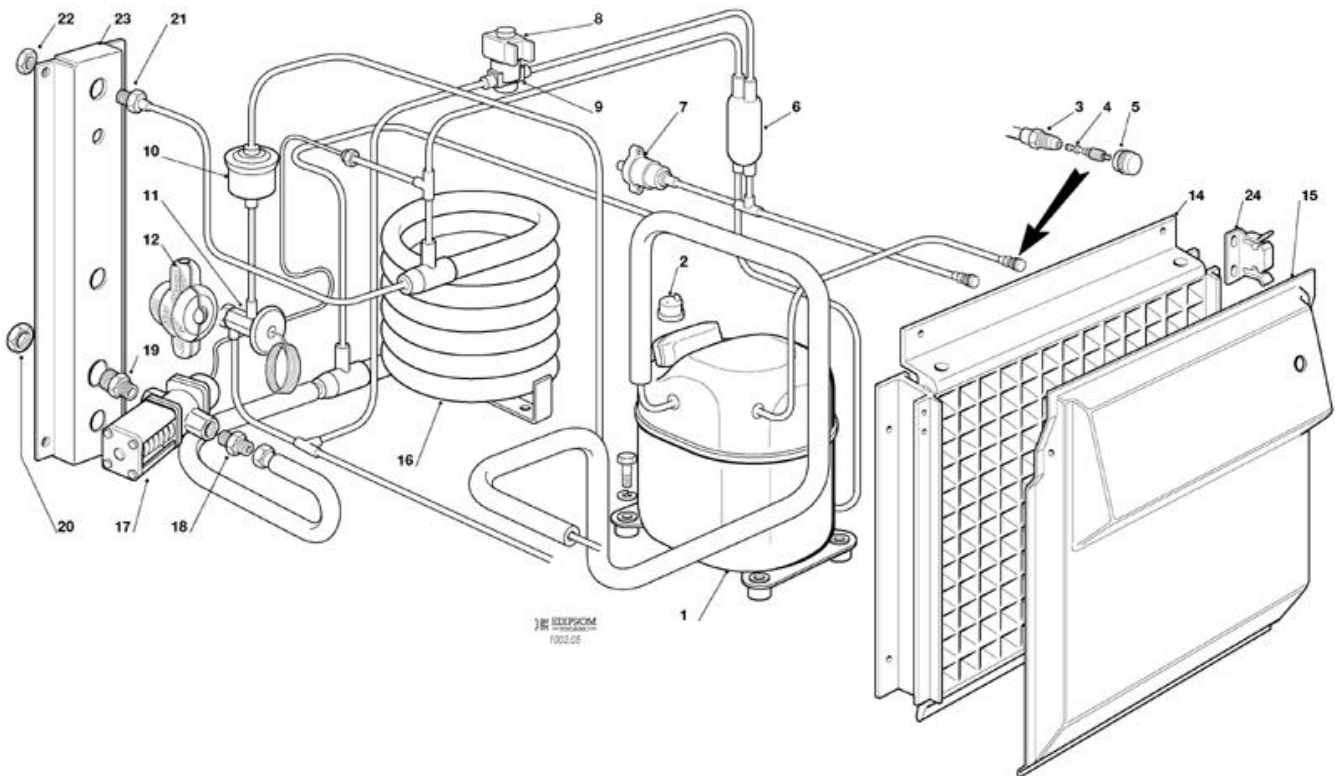




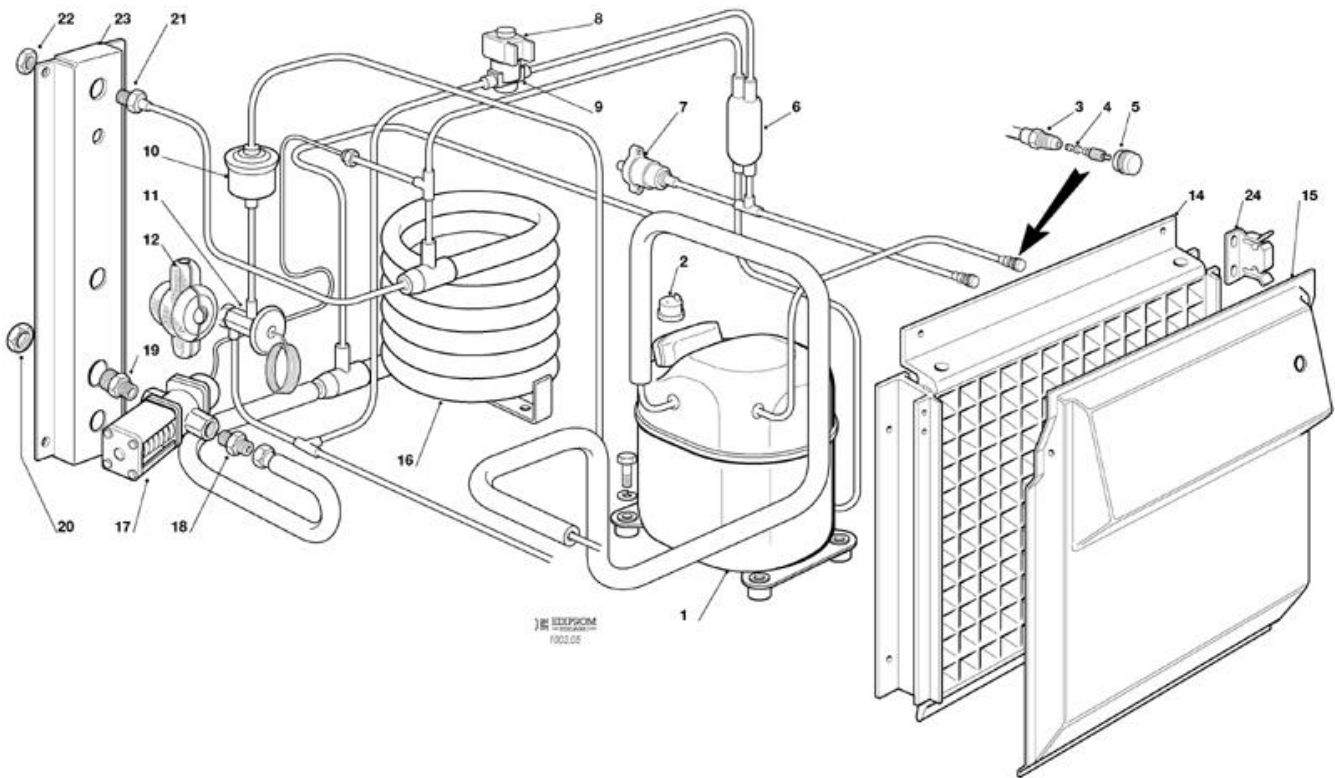
Pos	Code	Description
0001	SCCM 81454468	UNIT FRAME
0002	SCCM 25753313	METAL BRACKET
0003	SCCM 25260483	AIR BAFFLE
0005	SCCM 25160730	CONTROL BOX
0006	SCCM 25160729	CONTROL BOX TOP
0007	SCCM 25160731	CONTROL BOX COVER
0008	SCCM 81455131	LEFT SIDE PANEL ASSY
0009	SC02004224 01	PLASTIC LOUVER PANEL
0010	SC02004212 01	PLASTIC FILTER
0011	SC02004212 01	PLASTIC FILTER
0011	SCCM 25330905	RIGHT SIDE PANEL ONLY
0011	SCCM 25725529	PLASTIC LOUVER
0011	SCCM 81454661	RIGHT SIDE PANEL ASSY
0012	SCCM 81454414	TOP PANEL ASSY
0013	SCCM 25410110	INSULATION
0014	SCCM 12436041	HOLDING NUT
0014	SCCM 19650210	PIN WITH SPRING
0014	SCCM 25728013	PLASTIC CAP
0014	SCCM 81454462	FRONT PANEL ASSY
0015	SCCM 19263100	MV 426 LOGO
0016	SCCM 19262790	LABEL, MONITORING PANEL
0018	SCCM 25725605	WATER HOOK UP PANEL
0019	SCCM 25550900	BACK PANEL



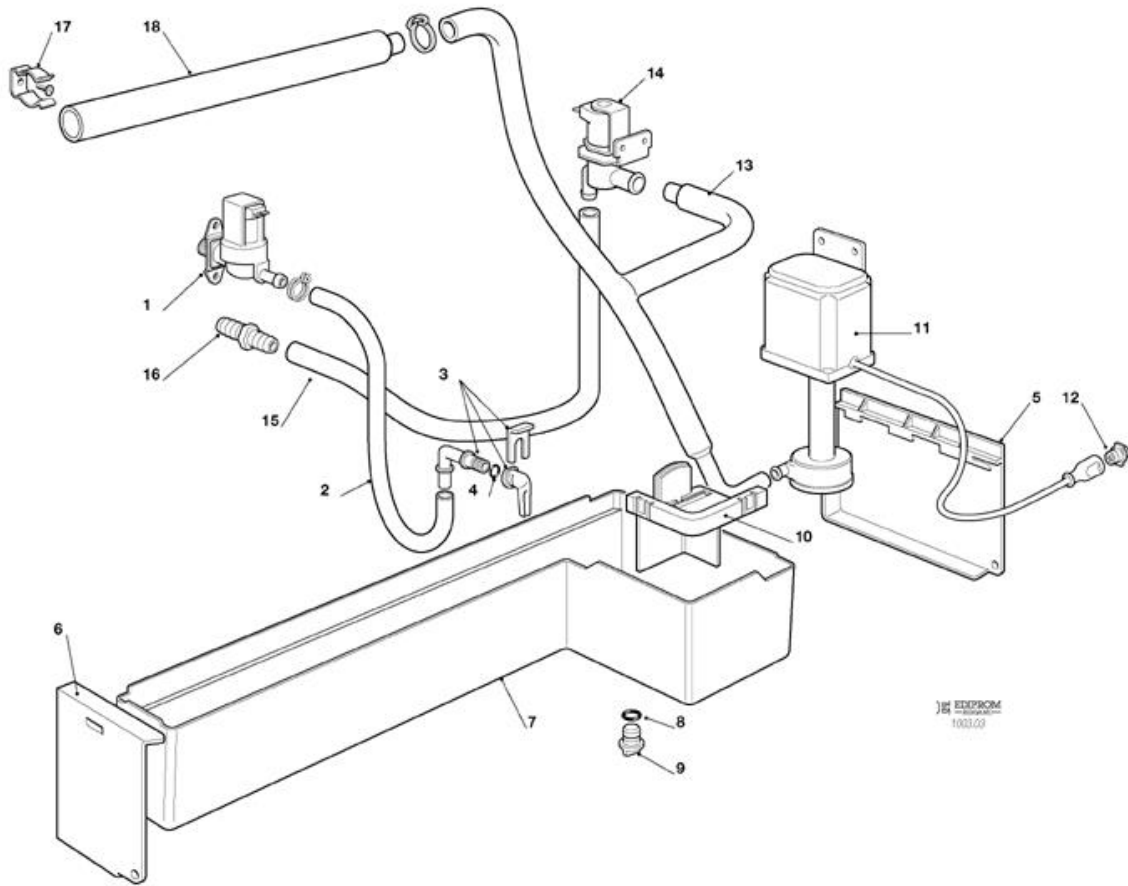
Pos	Code	Description
0001	SC670099 04	COMPRESSOR - 230/50/1
0001	SCCM 19165632	COMPRESSOR - 230/60/1
0002	SC620058 78	PROTECTOR MST 000ALKD
0003	SC650109 00	VALVE BODY
0004	SC670012 00	VALVE CORE
0005	SC650106 00	CAP
0007	SCCM 19550628	HI PRESSURE SAFETY SWITCH
0008	SCCM 19301268	MECHANICAL FILTER
0009	SCSP 1124012	HOT GAS VALVE COIL - 230/50-60
0010	SCCM 19863034	HOT GAS VALVE ASSY
0011	SCCM 19300357	DRIER
0012	SCCM 19870401	TXV
0012	SCCM 19870407	TXV - R452A
0013	SCCM 25410096	TXV INSULATION
0014	SCCM 81454170	EVAPORATOR ASSY - DICE CUBE
0014	SCCM 81454171	EVAPORATOR ASSY - LARGE CUBE
0014	SCCM 81454172	EVAPORATOR ASSY - HALF LARGE CUBE
0014	SCCM 81454649	EVAPORATOR - HD
0015	SCCM 81455120	PLASTIC CURTAIN
0016	SCCM 19177100	CONDENSER
0017	SCCM 25156590	SHROUD
0018	SCCM 18562524	FAN MOTOR - 230/50-60
0019	SCCM 18740042	FAN BLADE
0019	SCCM 18740043	FAN BLADE - 60HZ
0020	SCCM 25726513	FAN BRACKET
0021	SCCM 25726473	DEFLECTOR BRACKET



Pos	Code	Description
0001	SC670099 04	COMPRESSOR - 230/50/1
0001	SCCM 19165632	COMPRESSOR - 230/60/1
0002	SC620058 78	PROTECTOR MST 000ALKD
0003	SC650109 00	VALVE BODY
0004	SC670012 00	VALVE CORE
0005	SC650106 00	CAP
0006	SCCM 19301268	MECHANICAL FILTER
0007	SCCM 19550628	HI PRESSURE SAFETY SWITCH
0008	SCSP 1124012	HOT GAS VALVE COIL - 230/50-60
0009	SCCM 19863034	HOT GAS VALVE ASSY
0010	SCCM 19300357	DRIER
0011	SCCM 19870401	TXV
0011	SCCM 19870407	TXV - R452A
0012	SCCM 25410096	TXV INSULATION
0014	SCCM 81454170	EVAPORATOR ASSY - DICE CUBE
0014	SCCM 81454171	EVAPORATOR ASSY - LARGE CUBE
0014	SCCM 81454172	EVAPORATOR ASSY - HALF LARGE CUBE
0014	SCCM 81454649	EVAPORATOR - HD
0015	SCCM 81455120	PLASTIC CURTAIN
0016	SCCM 19177520	CONDENSER
0017	SC620111 00	WATER REGUL. VALVE
0018	SCCM 25631045	FITTING
0019	SCCM 25631047	FITTING
0020	SCCM 25250105	NUT
0021	SCCM 25631039	WATER FITTING-IN
0023	SCCM 25550901	METAL BRACKET RT
0024	SCCM 25726473	DEFLECTOR BRACKET

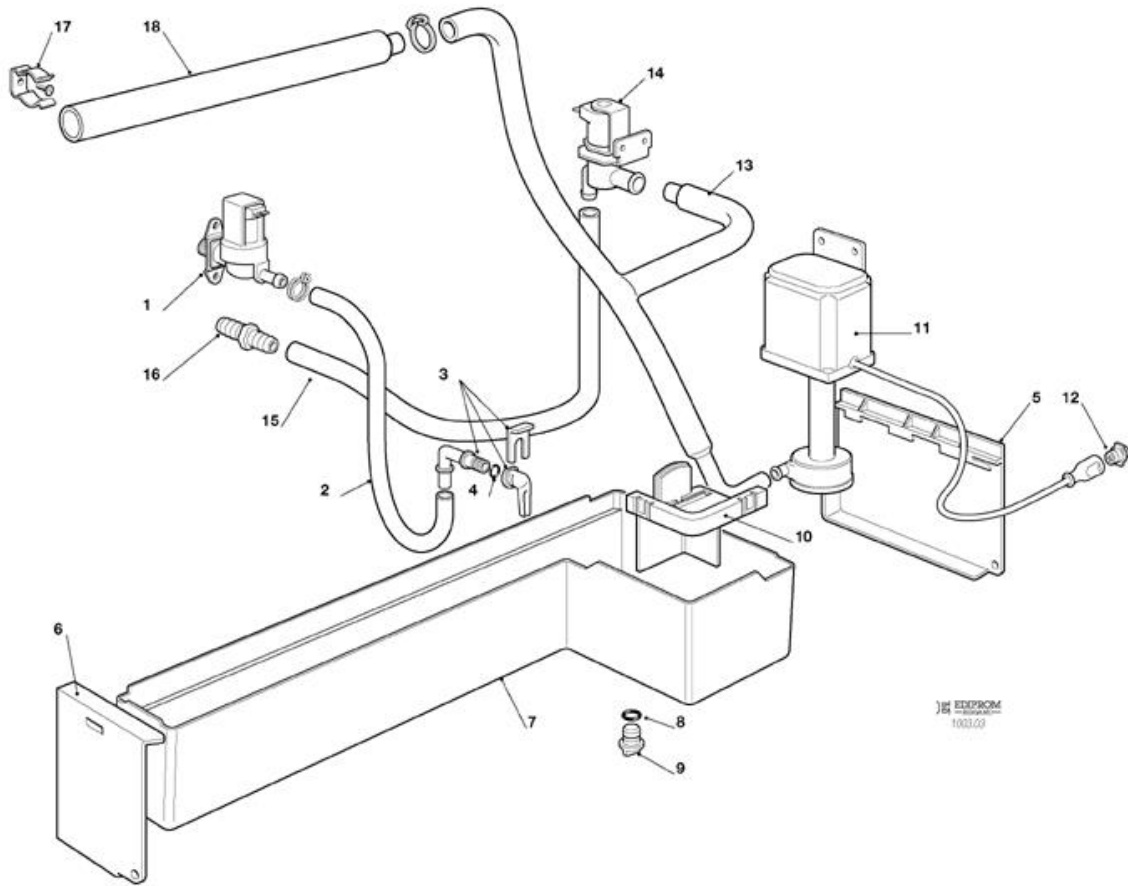


Pos	Code	Description
0001	SC670099 04	COMPRESSOR - 230/50/1
0001	SCCM 19165632	COMPRESSOR - 230/60/1
0002	SC620058 78	PROTECTOR MST 000ALKD
0003	SC650109 00	VALVE BODY
0004	SC670012 00	VALVE CORE
0005	SC650106 00	CAP
0006	SCCM 19301268	MECHANICAL FILTER
0007	SCCM 19550633	HI PRESSURE CTRL
0008	SCSP 1124012	HOT GAS VALVE COIL - 230/50-60
0009	SCCM 19863034	HOT GAS VALVE ASSY
0010	SCCM 19300357	DRIER
0011	SCCM 19870401	TXV
0011	SCCM 19870407	TXV - R452A
0012	SCCM 25410096	TXV INSULATION
0014	SCCM 81454170	EVAPORATOR ASSY - DICE CUBE
0014	SCCM 81454171	EVAPORATOR ASSY - LARGE CUBE
0014	SCCM 81454172	EVAPORATOR ASSY - HALF LARGE CUBE
0014	SCCM 81454649	EVAPORATOR - HD
0015	SCCM 81455120	PLASTIC CURTAIN
0016	SCCM 19177520	CONDENSER
0017	SC620111 00	WATER REGUL. VALVE
0018	SCCM 25631045	FITTING
0019	SCCM 25631047	FITTING
0020	SCCM 25250105	NUT
0021	SCCM 25631039	WATER FITTING-IN
0023	SCCM 25550901	METAL BRACKET RT
0024	SCCM 25726473	DEFLECTOR BRACKET

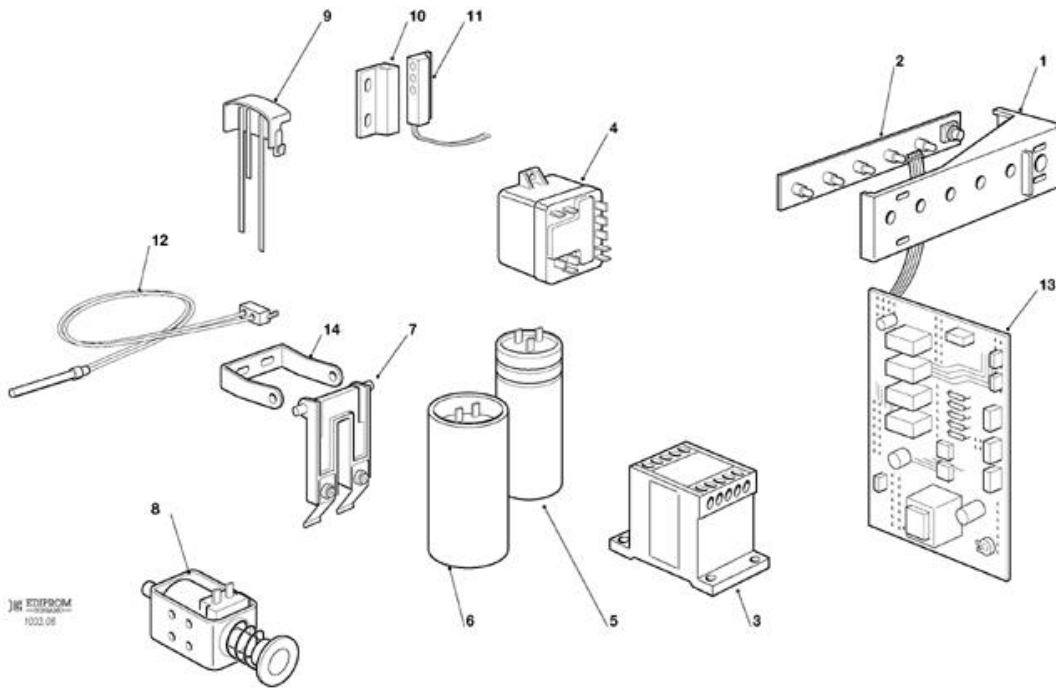




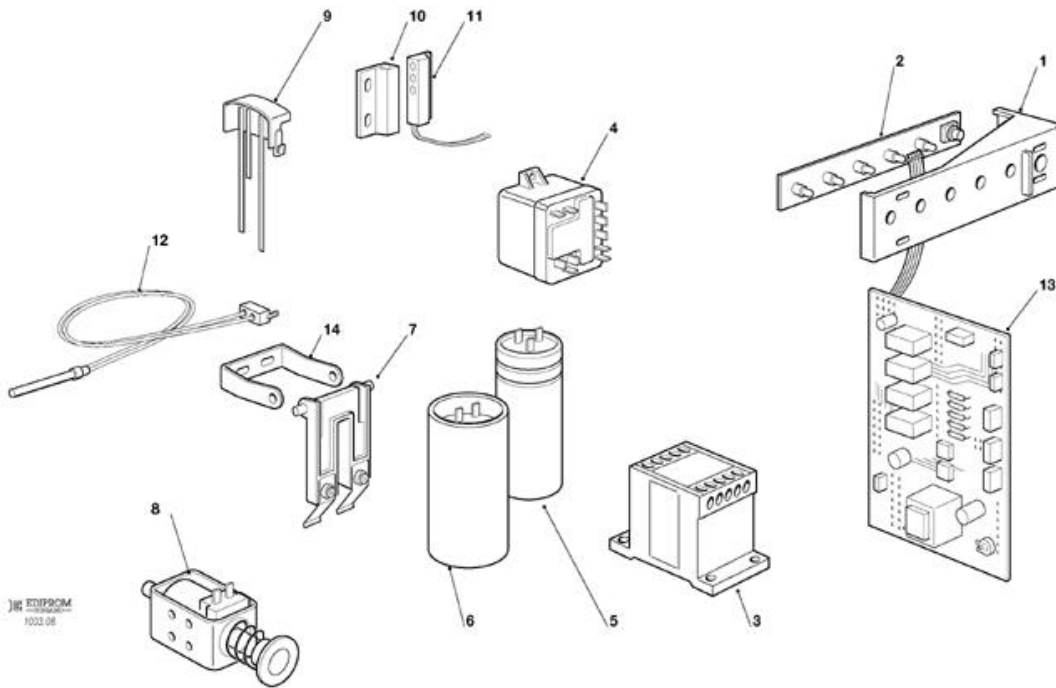
Pos	Code	Description
0001	SC650105 54	INLET VALVE - 230/50 - 60
0002	SC281900 01	TUBE 16X10
0003	SC793172 00R	WATER INLET ELBOW ASSY
0004	SC640041 31	O RING
0005	SCCM 25725606	RIGHT PLASTIC BRACKET
0006	SCCM 25725607	LEFT PLASTIC BRACKET
0007	SCCM 25820132	WATER SUMP
0008	SC640041 31	O RING
0009	SCCM 25730503	DRAIN PLUG
0010	SCCM 25725591	PLASTIC COVER
0011	SCCM 81452001	WATER PUMP KIT
0011	SCCM 81452002	WATER PUMP KIT 230/60
0012	SCCM 81454635	POWER SOCKET
0013	SCCM 81454209	HOSE
0014	SC620460 00	WATER DRAIN VALVE
0015	SCCM 25790072	PLASTIC HOSE
0016	SCCM 25690807	DRAIN FITTING, WATER
0017	SCCM 25474608	METAL CLIP
0018	SCCM 81453460	SPRAY SYSTEM



Pos	Code	Description
0001	SC650105 54	INLET VALVE - 230/50 - 60
0002	SC281900 01	TUBE 16X10
0003	SC793172 00R	WATER INLET ELBOW ASSY
0004	SC640041 31	O RING
0005	SCCM 25725606	RIGHT PLASTIC BRACKET
0006	SCCM 25725607	LEFT PLASTIC BRACKET
0007	SCCM 25820132	WATER SUMP
0008	SC640041 31	O RING
0009	SCCM 25730503	DRAIN PLUG
0010	SCCM 25725591	PLASTIC COVER
0011	SCCM 81454637	WATER PUMP - 230/50/1
0011	SCCM 81454638	WATER PUMP - 230/60/1
0012	SCCM 81454635	POWER SOCKET
0013	SCCM 81454209	HOSE
0014	SC620460 00	WATER DRAIN VALVE
0015	SCCM 25790072	PLASTIC HOSE
0016	SCCM 25690807	DRAIN FITTING, WATER
0017	SCCM 25474608	METAL CLIP
0018	SCCM 81453460	SPRAY SYSTEM



Pos	Code	Description
0001	SCCM 25725525	LED HOLDER
0002	SCCM 33580151	MONITOR PANEL
0003	SCCM 33730712	CONTACTOR
0004	SC620057 46	RELAY - 230/50
0004	SCCM 19621705	RELAY - 230/60/1
0005	SC620167 21	CAPACITOR - 15 MFD/400V
0006	SC620167 00	START CAPACITOR 88-108MFD/330V
0006	SCCM 19180626	START CAPACITOR - 230/60/1
0007	SCCM 81453434	SENSOR, ICE THICKNESS
0008	SCCM 81454510	HARVEST ASSIST SOLENOID ASSY
0009	SCCM 81454659	WATER LEVEL SENSOR
0009	SCCM 81455102	WATER LEVEL SENSOR HARNESS
0010	SCCM 19355007	MAGNET
0011	SCCM 33210019	MAGNET SWITCH
0012	SCCM 33580101	CONDENSER SENSOR
0013	SCCM 33580250	CONTROLLER
0013	SCCM 81453574	2 POLES CONNECTOR
0013	SCCM 81453826	4 POLES CONNECTOR
0013	SCCM 81453827	5 POLES CONNECTOR
0013	SCCM 81453828	3 POLES CONNECTOR
0014	SCCM 25725450	SENSOR SYST. BRKT



Pos	Code	Description
0001	SCCM 25725525	LED HOLDER
0002	SCCM 33580151	MONITOR PANEL
0003	SCCM 33730712	CONTACTOR
0004	SC620057 46	RELAY - 230/50
0004	SCCM 19621705	RELAY - 230/60/1
0005	SC620167 21	CAPACITOR - 15 MFD/400V
0006	SC620167 00	START CAPACITOR 88-108MFD/330V
0006	SCCM 19180626	START CAPACITOR - 230/60/1
0007	SCCM 81453434	SENSOR, ICE THICKNESS
0008	SCCM 19270501	HARVEST ASSIST SOLENOID
0009	SCCM 81454659	WATER LEVEL SENSOR
0009	SCCM 81455102	WATER LEVEL SENSOR HARNESS
0010	SCCM 19355007	MAGNET
0011	SCCM 33210019	MAGNET SWITCH
0012	SCCM 33580101	CONDENSER SENSOR
0013	SCCM 33580250	CONTROLLER
0013	SCCM 81453574	2 POLES CONNECTOR
0013	SCCM 81453826	4 POLES CONNECTOR
0013	SCCM 81453827	5 POLES CONNECTOR
0013	SCCM 81453828	3 POLES CONNECTOR
0014	SCCM 25725450	SENSOR SYST. BRKT