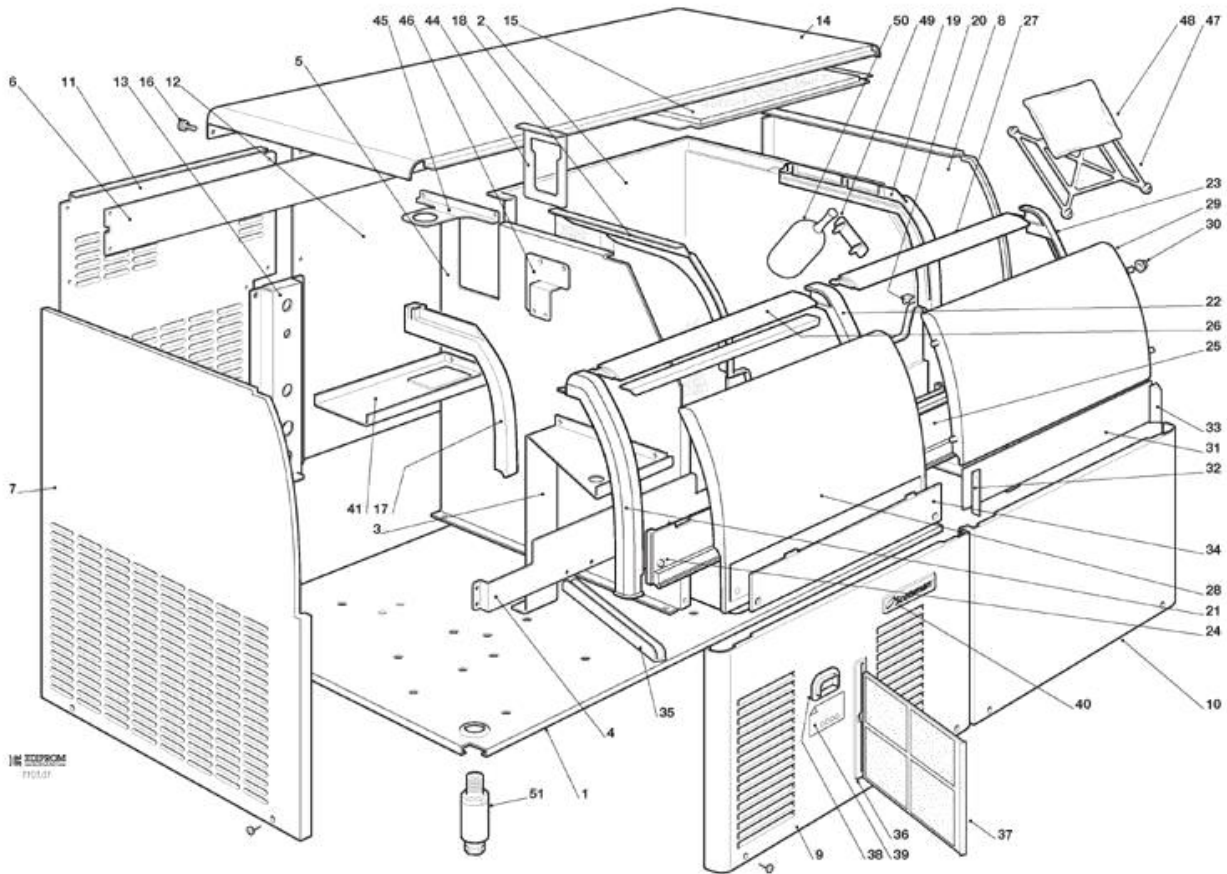
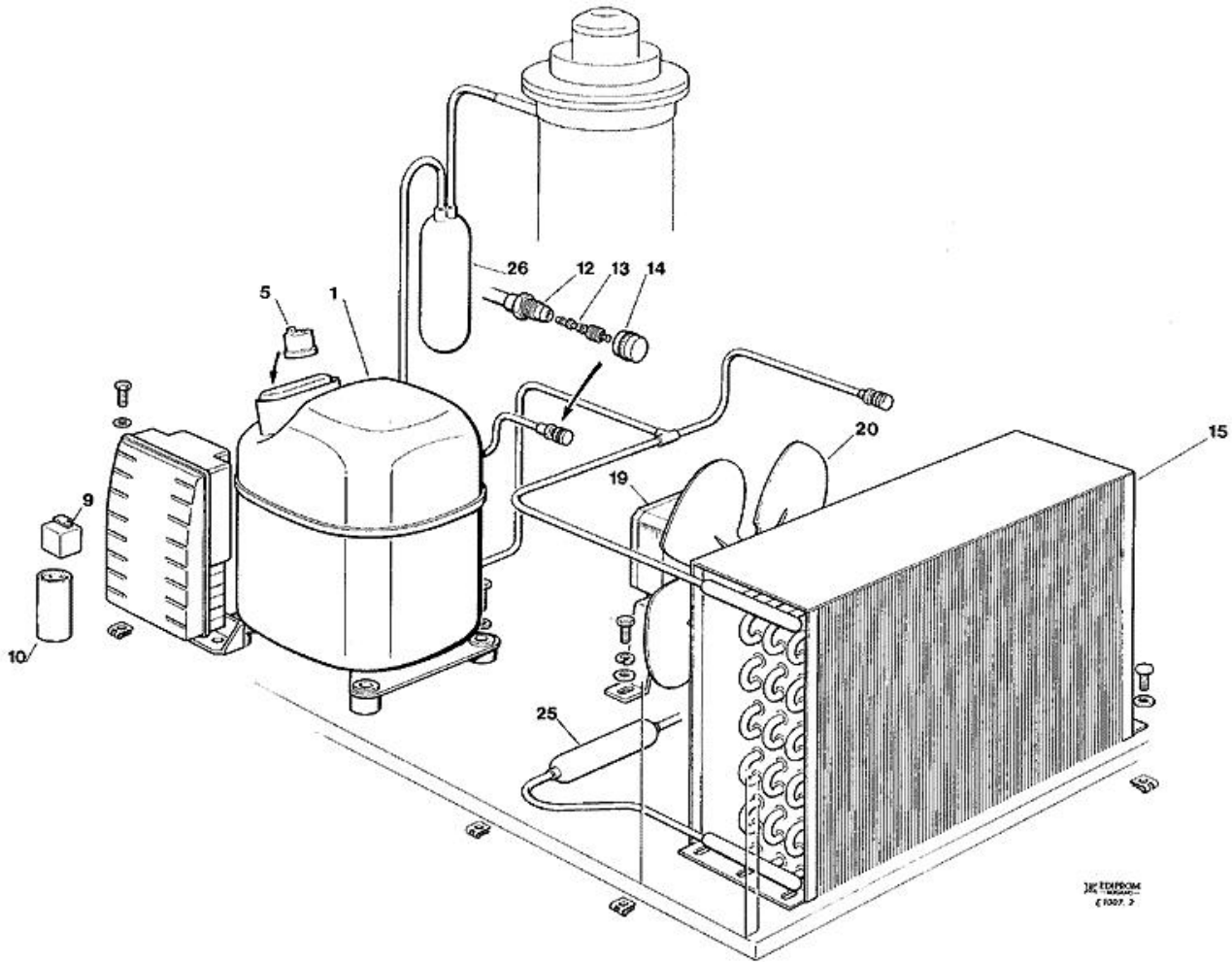


- 1 UNIT PANELS
- 2 REFRIGERANT SYSTEM – AIR COOLED – UP TO S.N. 01050
- 3 REFRIGERANT SYSTEM – AIR COOLED – FROM S.N. 01051
- 4 REFRIGERANT SYSTEM – WATER COOLED – UP TO S.N. 01050
- 5 REFRIGERANT SYSTEM – WATER COOLED – FROM S.N. 01051
- 6 WATER SYSTEM AND INSULATION
- 7 FREEZER AND GEAR REDUCER ASSY
- 8 P.C. BOARD AND SENSORS ASSY



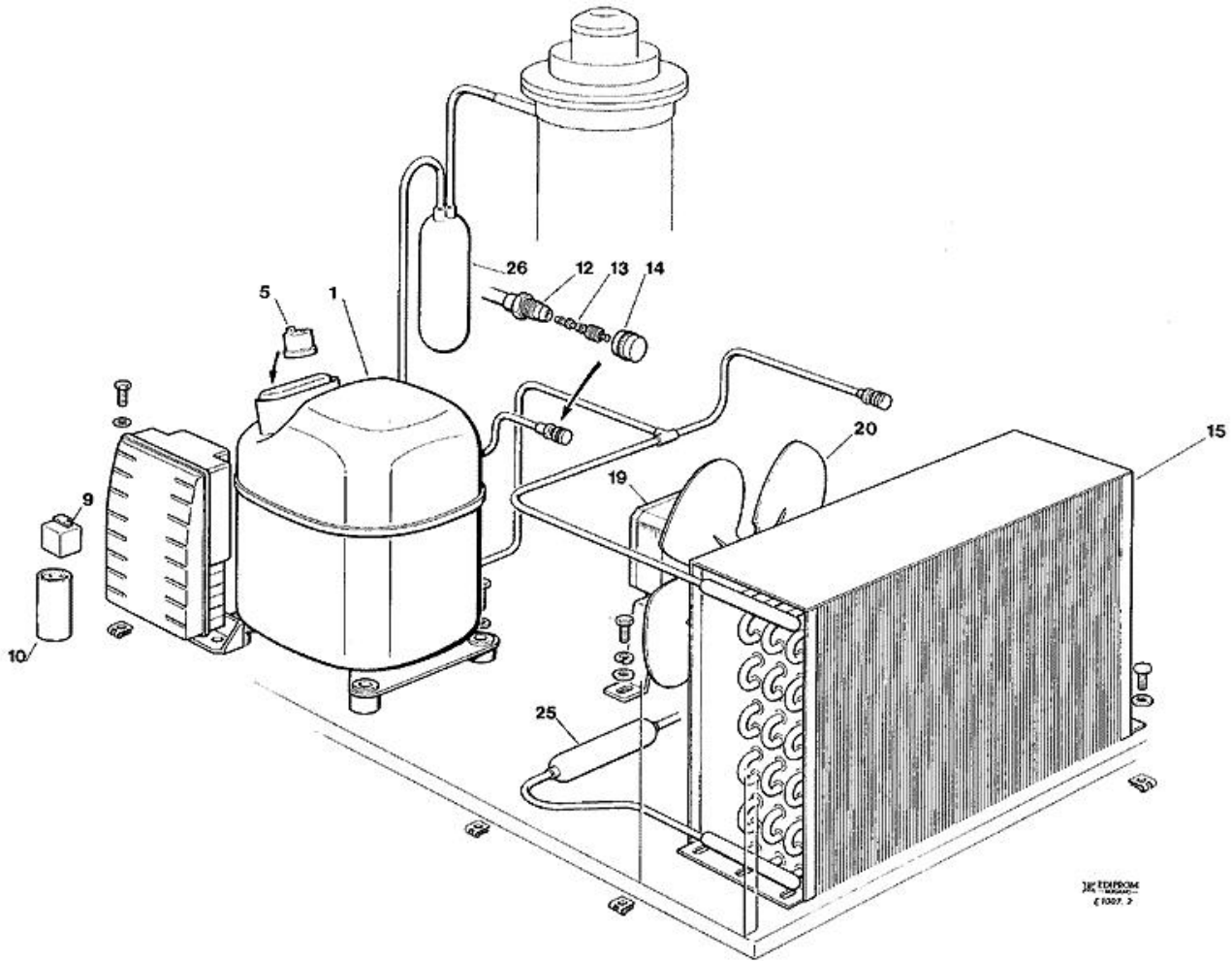
Pos	Code	Description
0001	781507 00	UNIT BASE
0002	782113 00R	STORAGE BIN ASSY
0003	702617 00	BRACKET
0004	702615 00	BRACKET
0005	702616 00	INSIDE PANEL
0006	702614 00	BRACKET
0007	722457 00	LEFT SIDE PANEL
0008	722456 00	RIGHT SIDE PANEL
0009	722459 00	FRONT LEFT PANEL - AIR
0009	722459 01	FRONT LEFT PANEL - WATER
0010	722458 00	FRONT RIGHT PANEL
0011	702613 00	REAR LEFT PANEL
0012	702612 00	REAR RIGHT PANEL
0013	702622 00	FITTINGS BRACKET
0014	722460 00	TOP PANEL
0015	650904 00	INSULATION
0015	660828 00	PLASTIC COVER
0016	470030 52	SCREW
0017	660784 02	GUIDE, LEFT SIDE
0018	660784 01	LEFT SIDE TRACK
0019	660784 00	RIGHT SIDE TRACK
0020	660816 00	SHOCK ABSORBER
0021	660832 00	LEFT SIDE DOOR FRAME
0022	660845 00	DOOR FRAME, LEFT SIDE
0023	660832 01	RIGHT SIDE DOOR FRAME
0024	660992 00	PLASTIC BRACKET
0025	660833 00	BOTTOM DOOR FRAME
0026	660785 03	UPPER DOOR FRAME
0027	660785 00	UPPER DOOR FRAME
0028	660992 01	SERVICE DOOR
0029	660786 00	BIN DOOR
0030	660286 00	BUSHING
0031	721938 00	S.S. FRONT LINER
0032	660837 01	CORNER PROTECTION LEFT
0033	660837 00	CORNER PROTECTION RIGHT
0034	722467 00	PLATE
0035	660817 00	SLIDE, AIR FILTER
0036	660804 01	AIR FILTER SEAT
0037	741127 00	AIR FILTER
0038	660829 00	FRONT SWITCH PLASTIC PROTECTION
0039	650624 13	LABEL
0040	650850 00	SCOTSMAN LOGO
0041	701830 01	GEAR RED. BASE
0044	723186 01	PLATE
0044	723186 02	PLATE

Pos	Code	Description
0046	724444 00	BRACKET
0047	660831 00	RUBBER BRACKET, SANITISING BAG
0048	650909 00	SANITISING BAG
0049	660767 01	SCOOP HOLDER
0050	650923 00	SCOOP
0051	650670 01	LEGS KIT

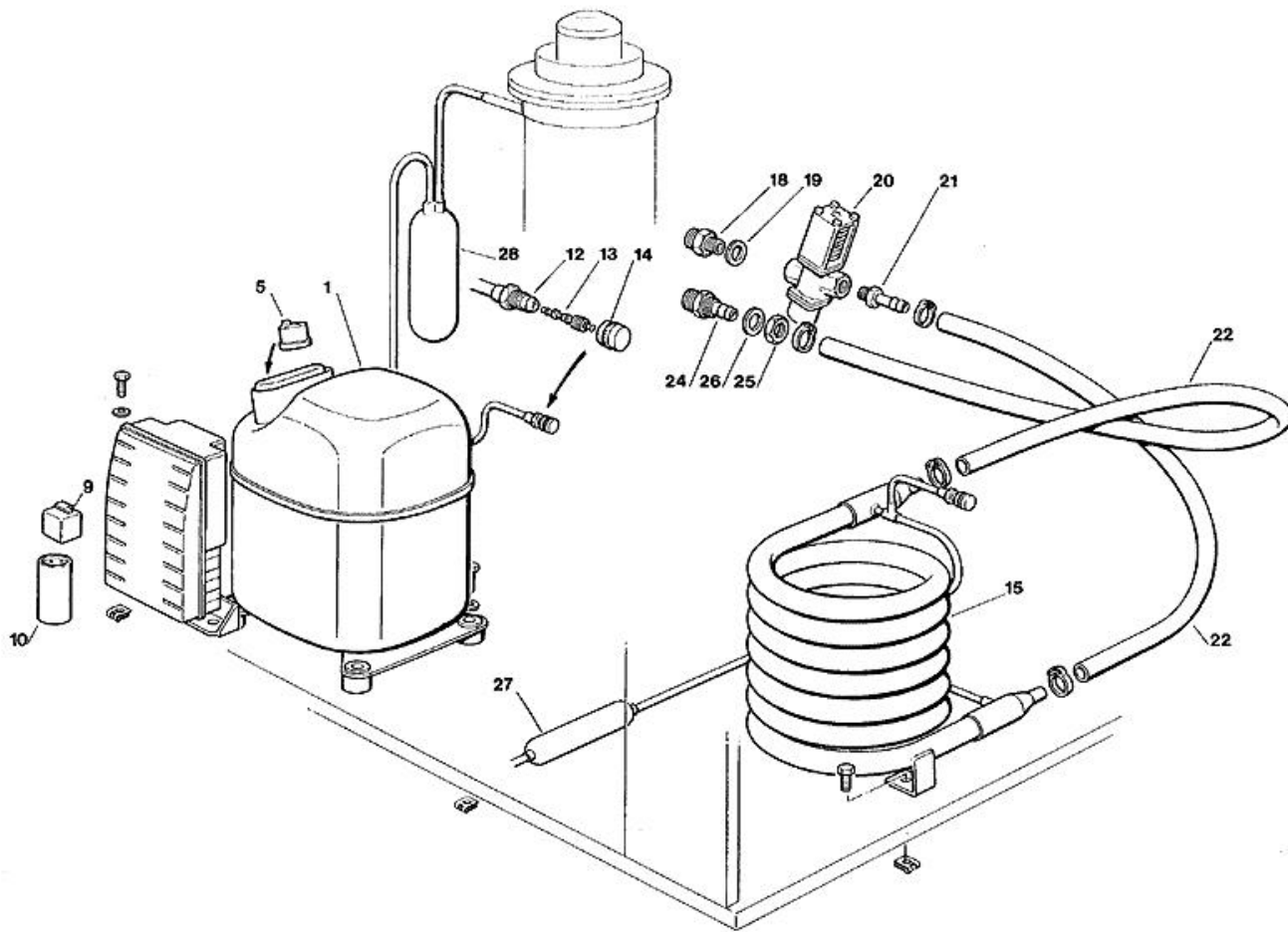


SCOTSMAN
© 1997, 2

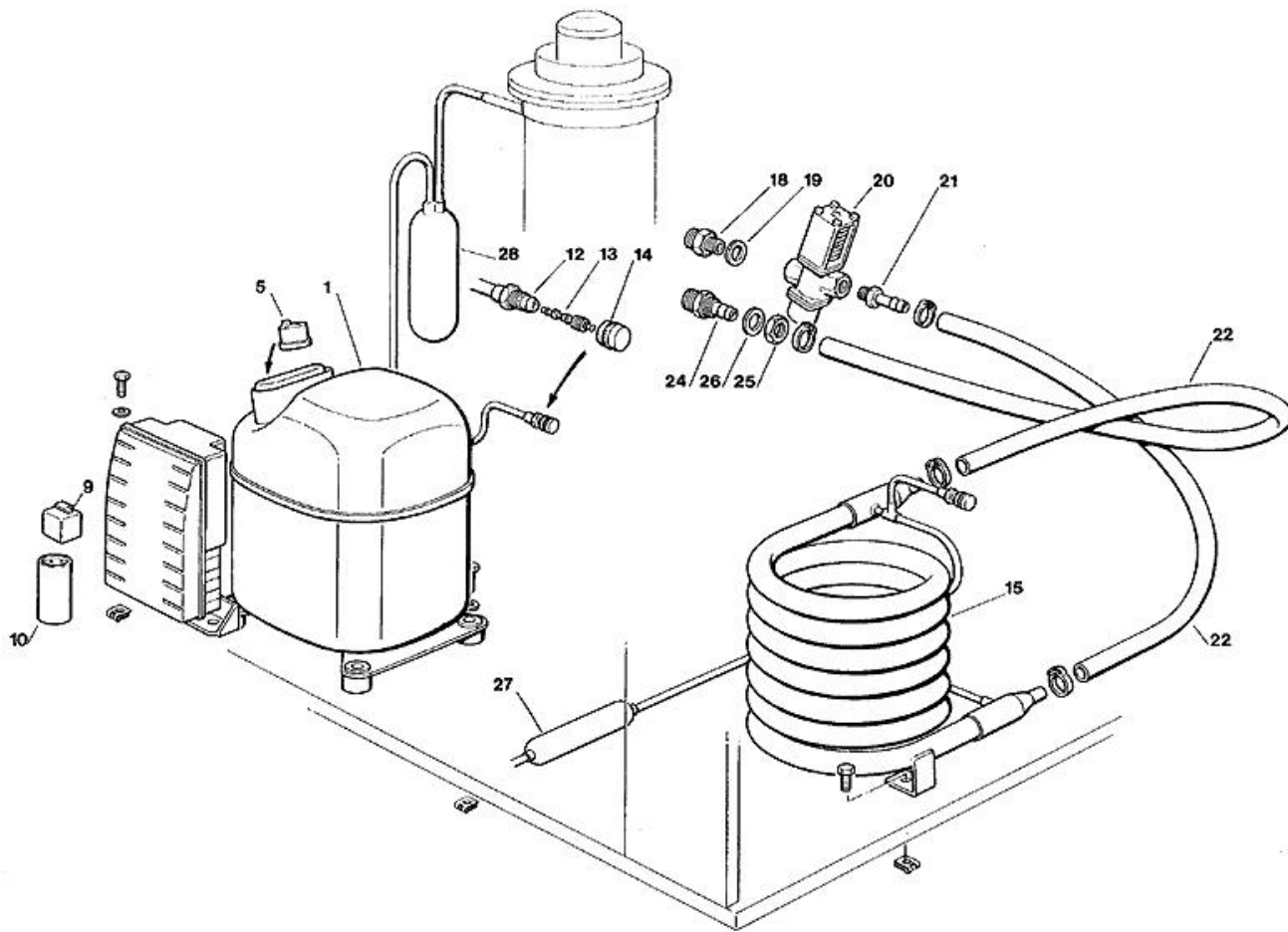
Pos	Code	Description
0001	670100 13	COMPRESSOR
0005	CUB 102190	PROTECTOR - 230/50/1
0009	CUB 405177	RELAY - 230/50/1
0010	EMB 2252347	CAPACITOR - 230/50/1
0012	650109 00	VALVE BODY
0013	670012 00	VALVE CORE
0014	650106 00	CAP
0015	620455 00	CONDENSER
0019	620419 02	FAN MOTOR - 230/50-60
0019	620419 03	FAN MOTOR - 115/60
0019	620419 63	BRACKET
0020	620419 33	BLADE
0025	630003 06	FILTER
0026	784709 05R	SUCTION LINE ASSY



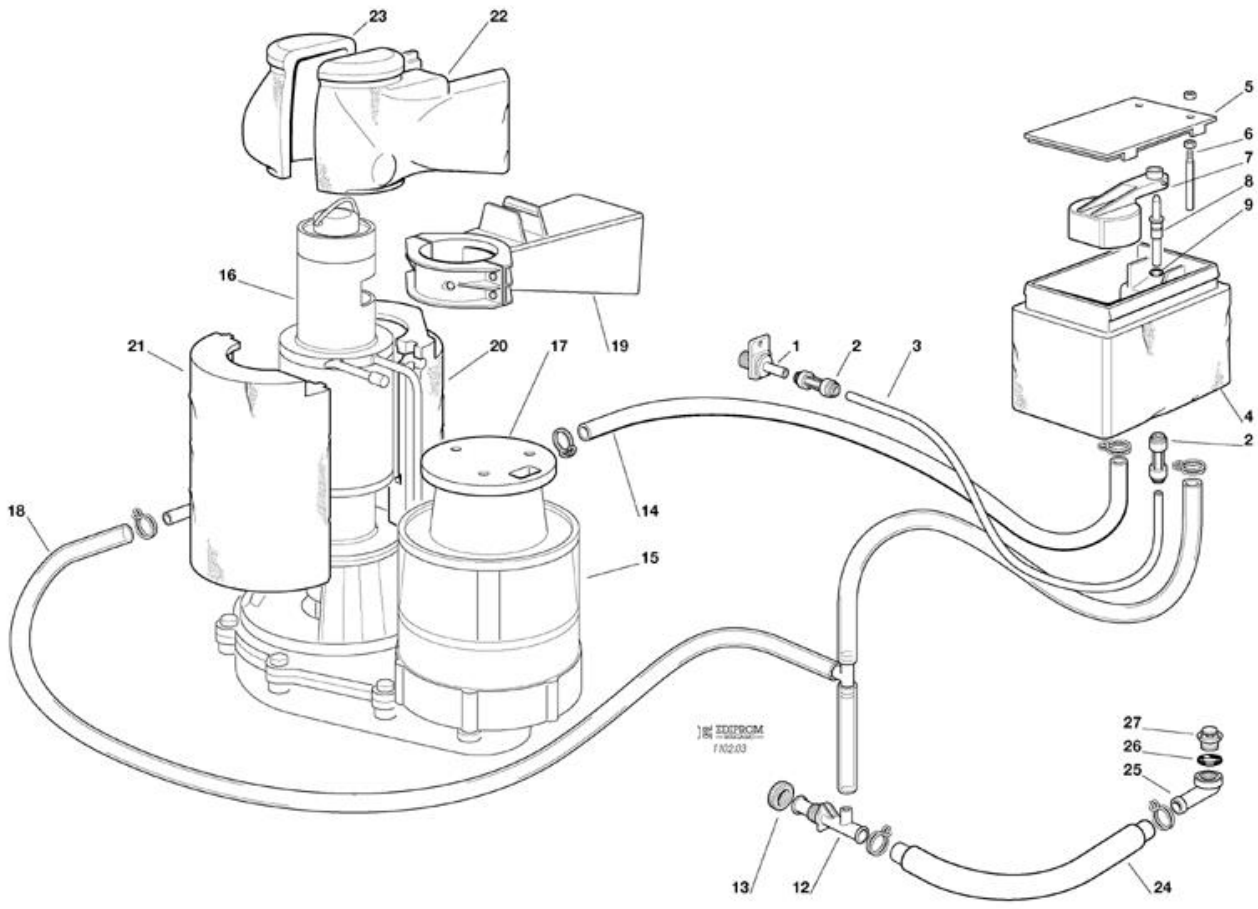
Pos	Code	Description
0001	670105 11	COMPRESSOR
0005	EMB 2319095	PROTECTOR - 230/60
0009	EMB 2334105	STARTING RELAY
0010	EMB 2252346	STARTING CAPACITOR
0012	650109 00	VALVE BODY
0013	670012 00	VALVE CORE
0014	650106 00	CAP
0015	620455 00	CONDENSER
0019	620419 02	FAN MOTOR - 230/50-60
0019	620419 03	FAN MOTOR - 115/60
0019	620419 63	BRACKET
0020	620419 33	BLADE
0025	630003 06	FILTER
0026	784709 05R	SUCTION LINE ASSY



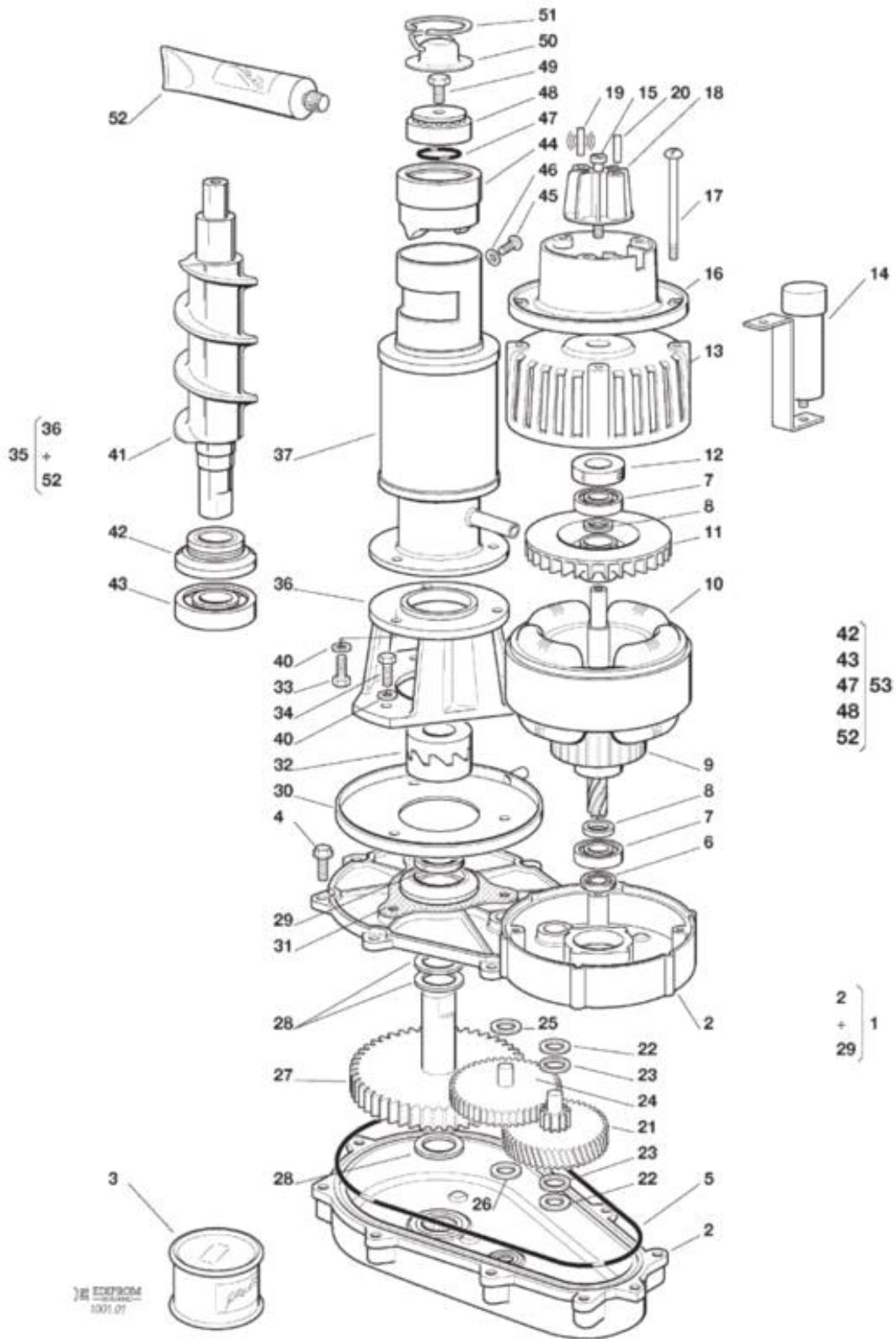
Pos	Code	Description
0001	670100 13	COMPRESSOR
0005	CUB 102190	PROTECTOR - 230/50/1
0009	CUB 405177	RELAY - 230/50/1
0010	EMB 2252347	CAPACITOR - 230/50/1
0012	650109 00	VALVE BODY
0013	670012 00	VALVE CORE
0014	650106 00	CAP
0015	620389 00	CONDENSER
0018	733204 00	WATER INLET FITTING
0019	400031 01	WASHER
0020	620111 00	WATER REGUL. VALVE
0021	733173 01	FITTING
0022	281900 03	TUBE 18X12
0024	733174 00	FITTING
0025	400076 00	NUT
0026	400031 00	WASHER
0027	630003 06	FILTER
0028	784709 05R	SUCTION LINE ASSY



Pos	Code	Description
0001	670105 11	COMPRESSOR
0005	EMB 2319095	PROTECTOR - 230/60
0009	EMB 2334105	STARTING RELAY
0010	EMB 2252346	STARTING CAPACITOR
0012	650109 00	VALVE BODY
0013	670012 00	VALVE CORE
0014	650106 00	CAP
0015	620389 00	CONDENSER
0018	733204 00	WATER INLET FITTING
0019	400031 01	WASHER
0020	620111 00	WATER REGUL. VALVE
0021	733173 01	FITTING
0022	281900 03	TUBE 18X12
0024	733174 00	FITTING
0025	400076 00	NUT
0026	400031 00	WASHER
0027	630003 06	FILTER
0028	784709 05R	SUCTION LINE ASSY

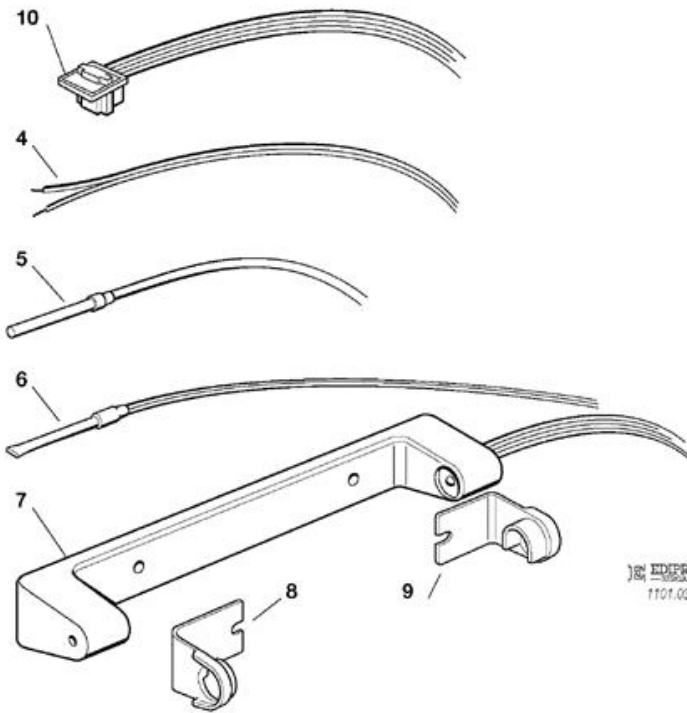


Pos	Code	Description
0001	650104 00	STRAINER
0001	660956 00	PLASTIC WATER INLET FITTING
0002	651224 04	WATER FITTING
0003	651206 02	POLYETHYLENE TUBE
0004	660352 00	INSULATION
0004	660459 00	WATER RESERVOIR ONLY
0005	660363 00	COVER
0006	724215 06	WATER LEVEL METAL PIN
0007	660585 00	FLOAT VALVE
0008	660957 00	PLASTIC NOZZLE
0009	640100 00	O RING
0011	610128 06	TUBE
0011	610182 09	PLASTIC HOSE
0012	660224 00	TEE TUBE
0013	660535 00	PLASTIC NUT
0014	610171 03	PLASTIC HOSE
0015	794225 13R	GEAR REDUCER ASSY 230V
0015	794225 14R	GEAR REDUCER ASSY 115V
0016	794236 11R	FREEZER ASSY
0017	650515 02	PLASTIC COVER
0018	610182 09	PLASTIC HOSE
0019	660676 04	ICE SPOUT
0020	060551 03	KIT INSULATION, FREEZER
0021	060551 03	KIT INSULATION, FREEZER
0022	650887 00	SPOUT INSULATION
0023	650887 00	SPOUT INSULATION
0024	610148 10	TUBE
0025	660219 01	BIN DRAIN
0026	640134 00	O RING 4093
0027	660211 01	DRAIN FILTER

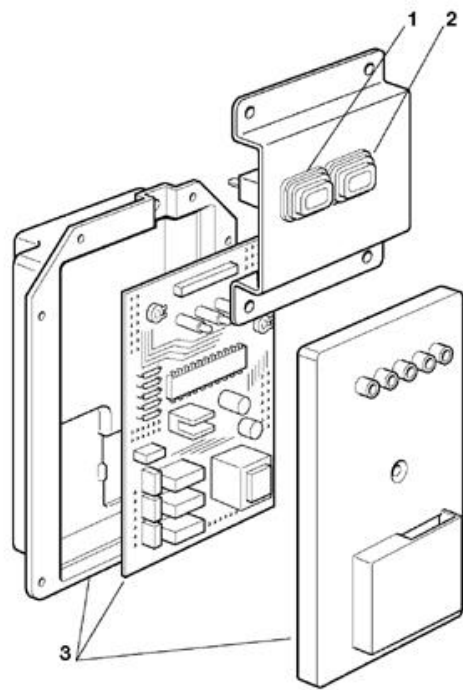


Pos	Code	Description
0001	794225 13R	GEAR REDUCER ASSY 230V
0001	794225 14R	GEAR REDUCER ASSY 115V
0002	001015 01	GEAR CASE KIT
0003	060294 04	
0004	03001251 00	SCREW 5/16-18x1
0004	429852 00	SCREW M6x20
0005	640084 00	O RING
0006	640083 00	GREASE SEAL
0007	651056 00	BEARING
0008	441800 09	SPECIAL WASHER
0009	794123 03R	ROTOR ASSY
0010	620521 00	STATOR - 230V
0010	620521 01	STATOR - 115V
0011	764001 01	BLADE
0012	640095 00	RUBBER INSERT
0013	794226 01R	DRIVE MOTOR COVER
0014	620520 00	CAPACITOR - 12,5 MFD
0014	620520 03	CAPACITOR - 4 MFD
0015	03001403 77	SCREW
0016	650515 01	MOTOR COVER
0017	423872 02	SCREW
0018	784476 00	MAGNETO ASSY
0019	784476 00	MAGNETO ASSY
0020	784476 00	MAGNETO ASSY
0021	651160 00	GEAR
0022	441800 05	WASHER
0023	441800 06	WASHER
0024	651161 00	GEAR AND PINION
0025	441800 08	WASHER
0026	441800 07	WASHER
0027	651162 01	3RD GEAR & PINION
0028	03001408 04	WASHER
0028	441808 00	WASHER
0029	640019 01	GASKET SMIM 2232/5.5
0030	660756 00	DRIP PAN
0031	640060 00	GASKET
0032	060359 00	KIT COUPLING AF
0033	420019 00	SCREW
0034	420019 00	SCREW
0035	794236 11R	FREEZER ASSY
0036	764010 00	FREEZER BRACKET
0037	060705 00	WORM TUBE KIT
0041	724052 07	AUGER AF 20
0042	640040 00	WATER SEAL (02001300 21)
0043	670011 01	BEARING

Pos	Code	Description
0044	060720 00	ICE BREAKER ASSY
0045	420285 05	SCREW
0047	640041 01	O RING
0048	060720 00	ICE BREAKER ASSY
0049	420030 00	SCREW
0050	734105 00	CAP WORM
0051	650297 00	SNAP RING
0052	263612 00	GREASE
0053	001028 07R	KIT BEARING + SEAL AF



EDIPROM
1101.00



Pos	Code	Description
0001	620487 01	WARNING LIGHT - RESET BUTTON
0002	620487 00	MASTER LIGHTED SWITCH
0003	620462 15	PC BOARD
0003	630015 15	FUSIBLE - T6.4A-250V
0004	620519 02	WATER LEVEL SENSOR
0005	620519 01	EVAPORATOR SENSOR
0006	620519 04	CONDENSER SENSOR
0007	650674 01	ICE LEVEL CTL.
0008	660720 00	PLASTIC COVER
0009	660720 01	PLASTIC COVER
0010	620404 03	HALL SENSOR