

## RANGE COMPOSITION

The range consists of 5 sinks, with cupboard, 700, 1200 or 1400 mm in length, and with a single bowl. Sink cupboard units are ideal for washing, cleaning and storage.



132704 with accessory

# 700/1400 mm

## SINGLE BOWL SINKS WITH CUPBOARD **ZANUSSI** PROFESSIONAL

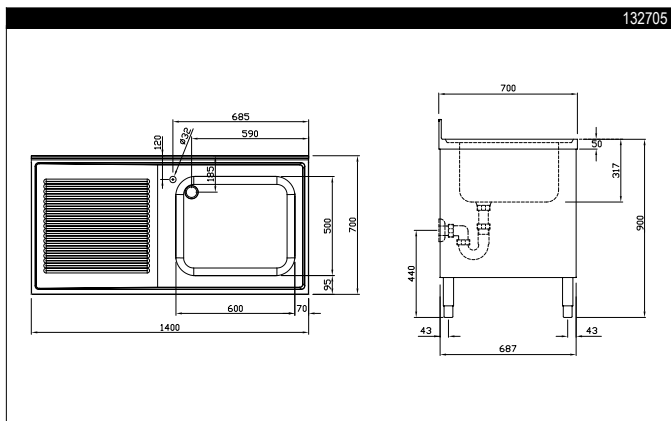
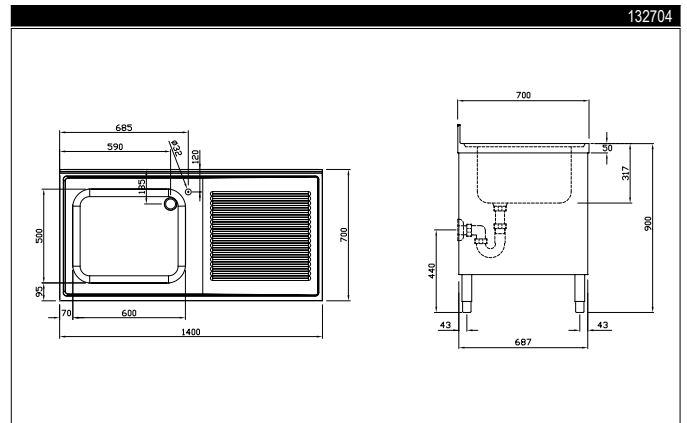
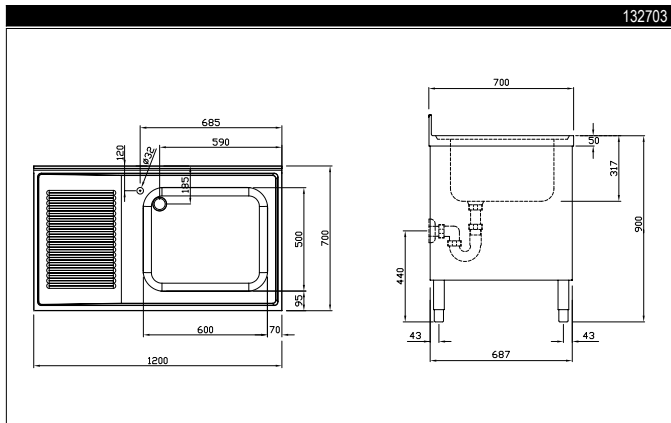
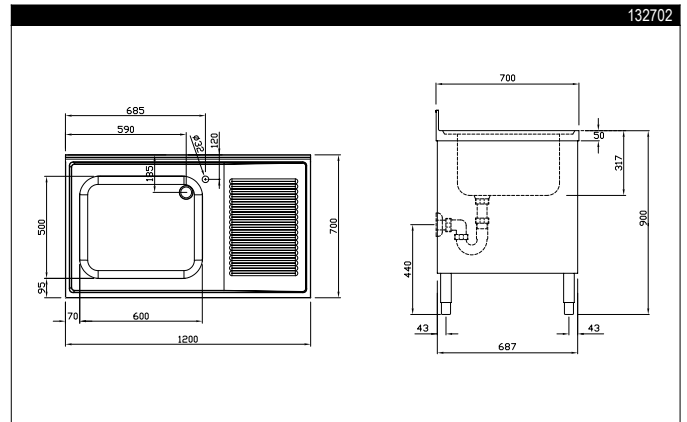
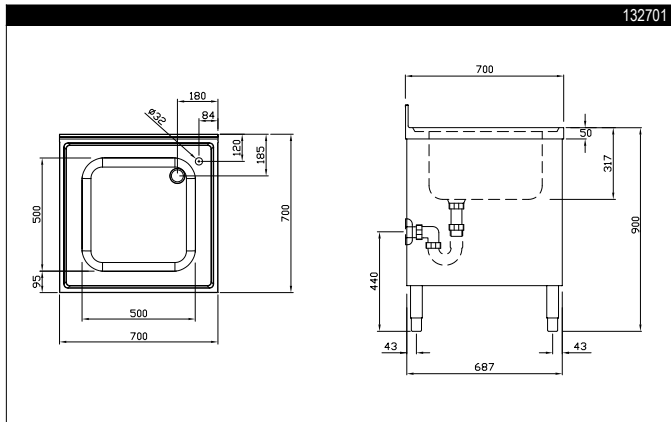
### FUNCTIONAL AND CONSTRUCTION FEATURES

- ◆ Made entirely from stainless steel with welded construction for maximum strength.
- ◆ Inner welded frame in stainless steel to guarantee superior strength and stability.
- ◆ The 50 mm high worktop in 304 AISI stainless steel, 10/10 in thickness, incorporates a layer of sound deadening and water-proof material, has upturned edges to protect the kitchen worker.
- ◆ Side and base panels in 304 AISI stainless steel, 10/10 in thickness reinforced.
- ◆ Splashback with 8 mm rounded corner, 100 mm high and 13 mm deep, designed to be used against a wall.
- ◆ The worktop cupboards are equipped with an intermediate shelf that can be positioned at three different heights.
- ◆ Sink bowl in 304 AISI stainless steel, supplied as standard with an overflow pipe and a drain hole.
- ◆ Drainage area suitable for drying operations (except for code 132701).
- ◆ The sound-deadened sturdy sliding doors in 304 AISI stainless steel are on tracks located flush to the front of the frame (except for code 132701).
- ◆ Easy access to the cupboard interior on

all lengths guaranteed by the use of only 2 doors.

- ◆ All panel edges are upturned to guarantee the safety of the kitchen worker.
- ◆ 200 mm high 304 AISI stainless steel feet, 64 mm in diameter, adjustable by -50/+30 mm.
- ◆ All models comply with the more strict international standards as far as hygiene and cleanability are concerned.

TECHNICAL DATA CHARACTERISTICS	MODELS				
	MLA716P 132701	MLA1216DXP 132702	MLA1216SXP 132703	MLA1416DXP 132704	MLA1416SXP 132705
External dimensions - mm					
width	700	1200	1200	1400	1400
depth	700	700	700	700	700
height	1000	1000	1000	1000	1000
Upstand dimensions - mm					
height	100	100	100	100	100
depth	13	13	13	13	13
radius	R=8	R=8	R=8	R=8	R=8
Bowls - n.	1	1	1	1	1
Bowl dimensions (wxdxh) - mm	500x500xH300	600x500xH300	600x500xH300	600x500xH300	600x500xH300
Internal cupboard dimensions - mm					
width	610	1110	1110	1310	1310
depth	645	645	645	645	645
height	330	330	330	330	330
N° and type of door	2, Hinged	2, Sliding	2, Sliding	2, Sliding	2, Sliding
Net weight - kg.	40	55	55	60	60
Right hand drainer		●		●	
Left hand drainer			●		●



LEGEND	MLA716P 132701	MLA1216DXP 132702	MLA1216SXP 132703	MLA1416DXP 132704	MLA1416SXP 132705
D - Water drain	2"	2"	2"	2"	2"

OPTIONAL ACCESSORIES ACCESSORIES	MODELS				
	MLA716P 132701	MLA1216DXP 132702	MLA1216SXP 132703	MLA1416DXP 132704	MLA1416SXP 132705
DOUBLE PLASTIC DRAIN SYPHON 2"	850022				
ELBOW OP.MIXER TAP+SPOUT-3/4" SINGLE HOLE	855322	855322	855322	855322	855322
ELBOW OP.TAP+SPRAY ARM+SPOUT-3/4" HOLE	855324	855324	855324	855324	855324
FALSE BOTTOM FOR L/H 500X500 MM BOWL	895210				
FALSE BOTTOM FOR L/H 600X500 MM BOWL		895110		895110	
FALSE BOTTOM FOR R/H 500X500 MM BOWL	895200				
FALSE BOTTOM FOR R/H 600X500 MM BOWL			895100		895100
FOOT OP.MIXER TAP(HOT+COLD)+SPOUT-3/4"	855328	855328	855328	855328	855328
MIXER TAP W/FOOT PEDAL FOR SINKS ON LEGS	855317	855317	855317	855317	855317
MIXER TAP WITH SPOUT 3/4" SINGLE HOLE	855319	855319	855319	855319	855319
MIXER TAP(INFRARED)+SPOUT 3/4" SING.HOLE	855325	855325	855325	855325	855325
MIXER TAP(PREMIUM)+SPRAY ARM-3/4" HOLE	855326	855326	855326	855326	855326
OVERFLOW FILTER FOR 500X500 MM BOWL	895136				
OVERFLOW FILTER FOR 600X500 MM BOWL		895135	895135	895135	895135
PRE-WASH SPRAY UNIT,SINGLE HOLE	855315	855315	855315	855315	855315
SINGLE BRASS SYPHON 2"	895314	895314	895314	895314	895314
SINGLE PLASTIC SYPHON 2"	895313	895313	895313	895313	895313
WALL MIX.TAP+SPRAY+SPOUT+SH.LEVER+THERM	855307	855307	855307	855307	855307
WALL MIXER TAP WITH SWIVEL SPOUT 3/4"	855310	855310	855310	855310	855310



www.zanussiprofessional.com