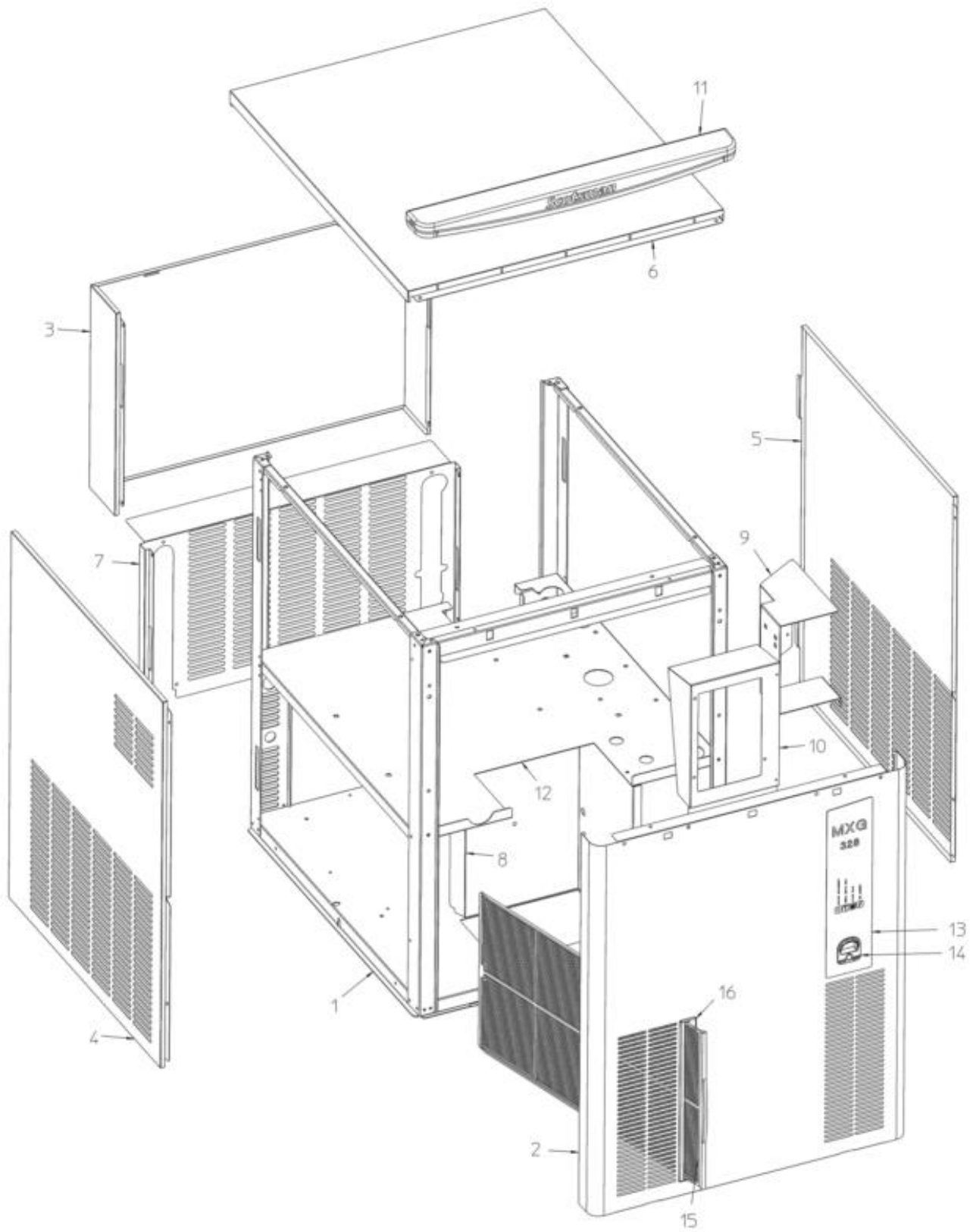
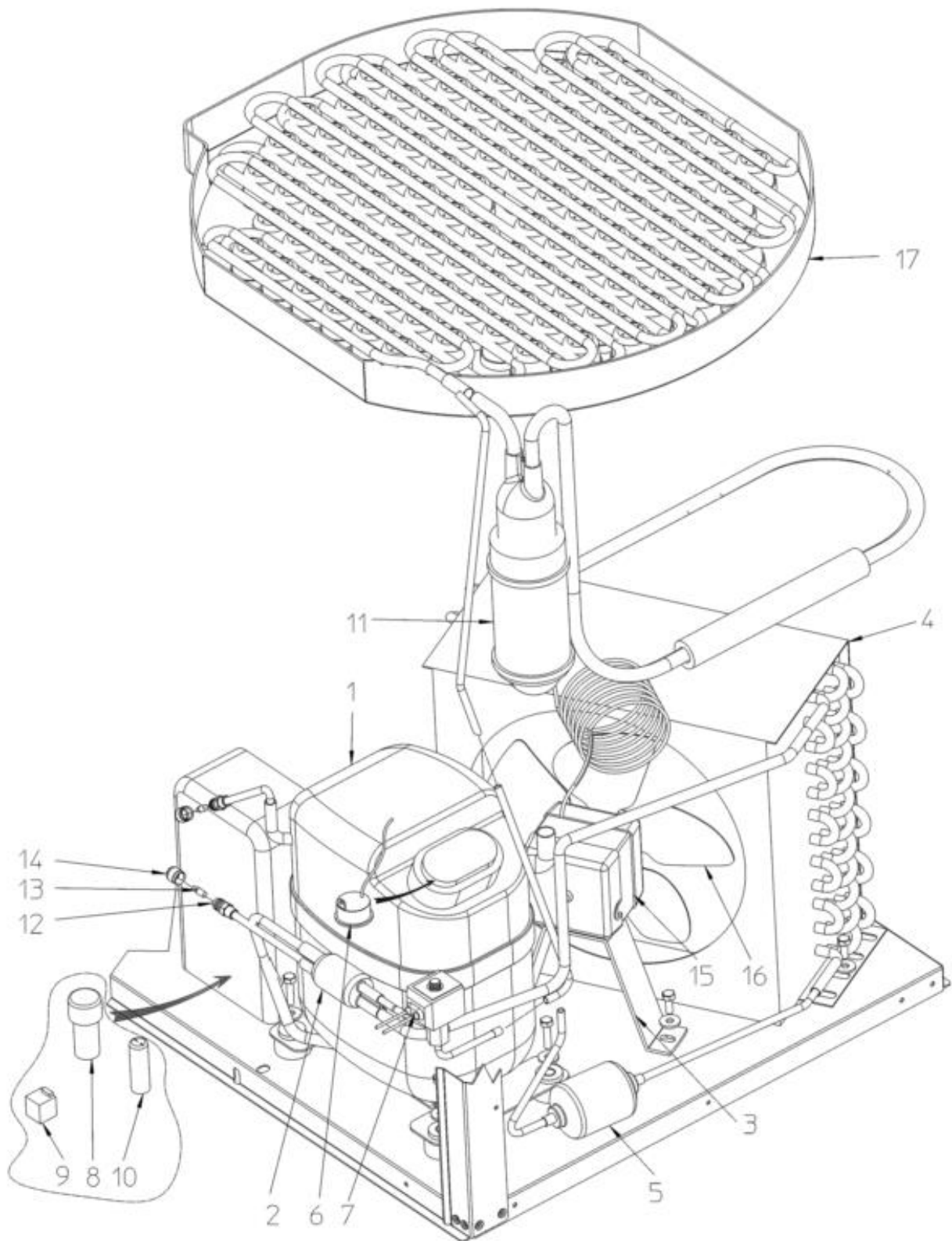


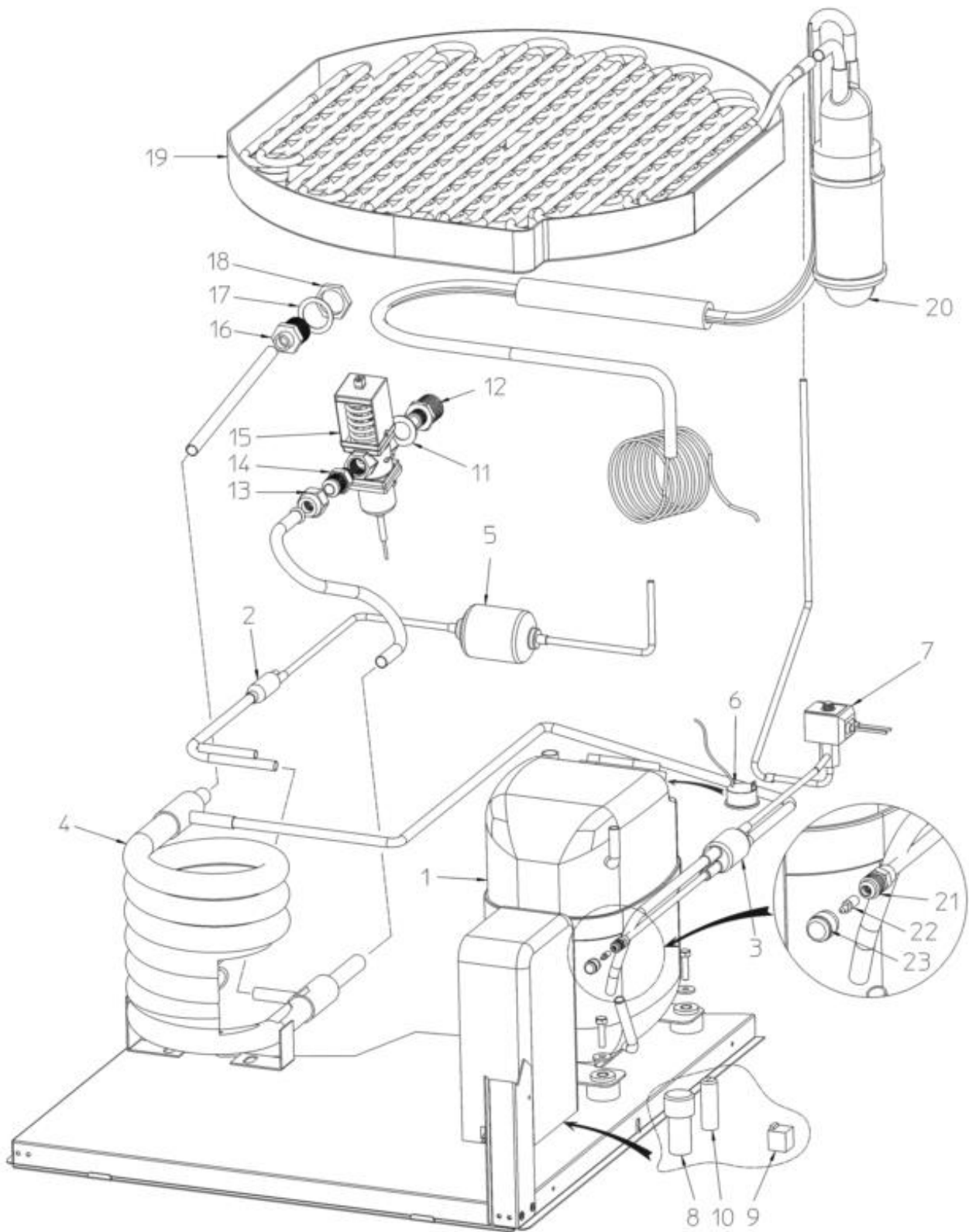
-
- 1 UNIT PANELS
 - 2 REFRIGERANT SYSTEM AIR COOL
 - 3 REFRIGERANT SYSTEM WATER COOLED
 - 4 WATER SYSTEM
 - 5 P.C. BOARD AND SENSORS ASSY



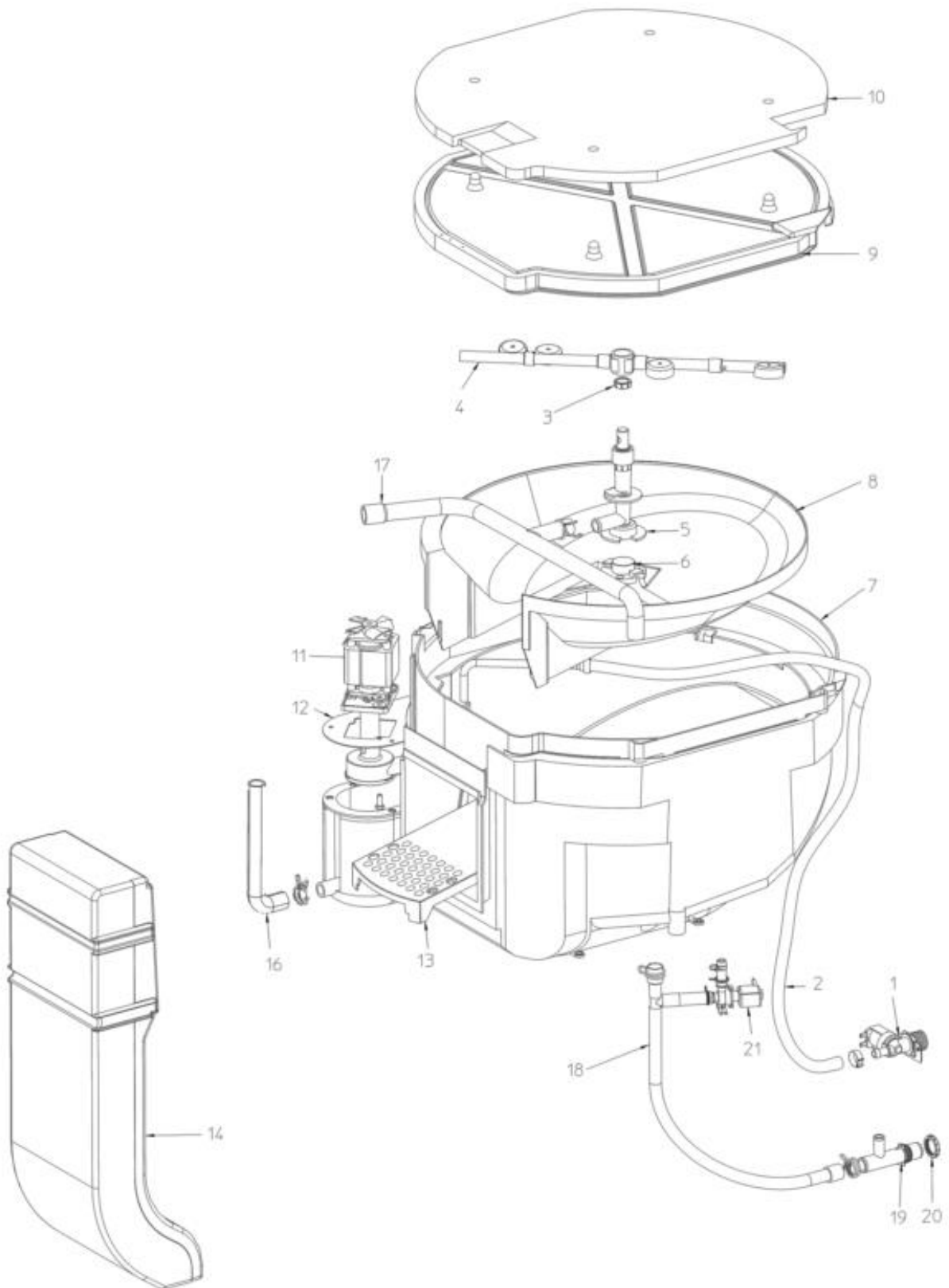
Pos	Code	Description
0001	SC791160 00R	UNIT FRAME
0002	SC722816 00	FRONT PANEL
0003	SC722819 00	UPPER REAR PANEL
0004	SC722815 00	LEFT PANEL
0005	SC722814 00	RIGHT PANEL
0006	SC722817 00	TOP PANEL
0007	SC722818 00	LOWER REAR PANEL
0008	SC705272 00	BRACKET
0009	SC705268 00	ELECTRICAL BOX
0010	SC724545 00	PCB BRACKET
0011	SC661142 00	PLASTIC BRACKET
0012	SC702786 00	SUPPORT EVAPORATOR
0013	SC651513 00	LABEL
0014	SC620487 00	MASTER LIGHTED SWITCH
0014	SC661121 01	SWITCH FRAME
0015	SC661144 00	AIR FILTER
0016	SC661143 00	AIR FILTER FRAME



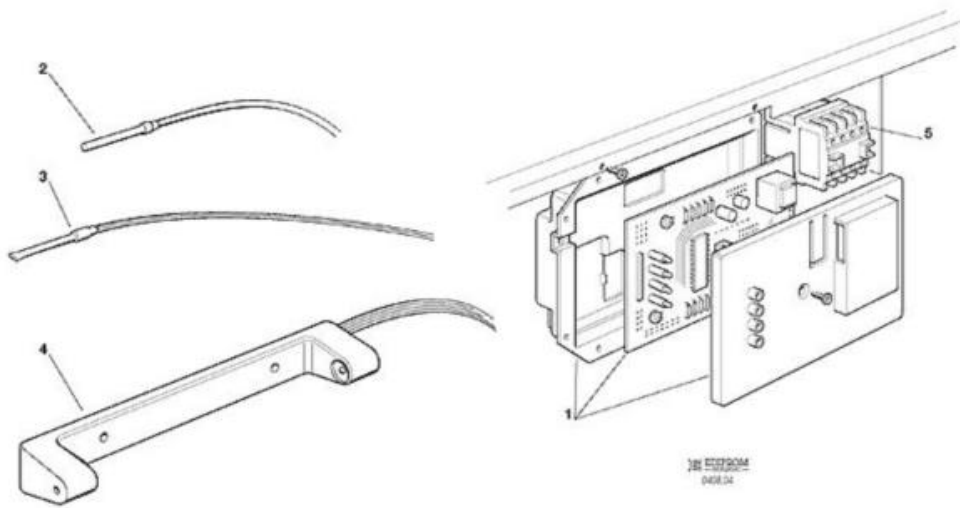
Pos	Code	Description
0001	SC670099 04	COMPRESSOR - 230/50/1
0002	SC630137 02	MECHANICAL FILTER
0003	SC620419 65	FAN MOTOR BRACKET
0004	SC620434 00	AIR COOLED CONDENSER
0005	SC670006 01	DRIER
0006	SC620058 78	PROTECTOR MST 000ALKD
0007	SC620306 46	HOT GAS VALVE BODY
0007	SC620306 48	COIL - 230/50-60
0008	SC620167 21	CAPACITOR - 15 MFD/400V
0009	SC620057 46	RELAY - 230/50
0010	SC620167 00	START CAPACITOR 88-108MFD/330V
0011	SC784816 01R	SUCTION LINE
0012	SC650109 00	VALVE BODY
0013	SC670012 00	VALVE CORE
0014	SC650106 00	CAP
0015	SC620419 04	FAN MOTOR - 230/50-60
0016	SC620419 34	FAN BLADE - 50HZ
0017	SC784434 05	EVAPORATOR ASSY - LARGE
0017	SC784435 05	EVAPORATOR ASSY - MEDIUM
0017	SC784436 01	EVAPORATOR ASSY - SMALL



Pos	Code	Description
0001	SC670099 04	COMPRESSOR - 230/50/1
0002	SC630020 02	MECHANICAL FILTER
0003	SC630137 02	MECHANICAL FILTER
0004	SC620495 00	WATER COOLED CONDENSER
0005	SC670006 01	DRIER
0006	SC620058 78	PROTECTOR MST 000ALKD
0007	SC620306 46	HOT GAS VALVE BODY
0007	SC620306 48	COIL - 230/50-60
0008	SC620167 21	CAPACITOR - 15 MFD/400V
0009	SC620057 46	RELAY - 230/50
0010	SC620167 00	START CAPACITOR 88-108MFD/330V
0011	SC400031 01	WASHER
0012	SC733204 00	WATER INLET FITTING
0013	SC400085 00	NUT
0014	SC733208 02	COUPLING
0015	SC620111 00	WATER REGUL. VALVE
0016	SC733205 04	WATER INLET FITTING
0017	SC400052 00	WASHER
0018	SC400053 00	NUT
0019	SC784434 05	EVAPORATOR ASSY - LARGE
0019	SC784435 05	EVAPORATOR ASSY - MEDIUM
0019	SC784436 01	EVAPORATOR ASSY - SMALL
0020	SC784816 01R	SUCTION LINE
0021	SC650109 00	VALVE BODY
0022	SC670012 00	VALVE CORE
0023	SC650106 00	CAP



Pos	Code	Description
0001	SC650105 54	INLET VALVE - 230/50 - 60
0002	SC281900 01	TUBE 16X10
0003	SC440013 08	TRUST WASHER
0004	SC793127 03	SPRAY BAR
0005	SC660475 00	BEARING
0006	SC660483 00	PLASTIC FLANGE
0007	SC784344 00R	SUMP & FREEZING CHAMBER
0008	SC660487 01	INNER BOTTOM
0009	SC660491 00	EVAPORATOR COVER
0010	SC650538 00	INSULATION
0011	SC620430 09R	WATER PUMP 230/50
0012	SC723132 05	PUMP BRACKET
0013	SC660488 01	MOBILE INNER BOTTOM
0014	SC661135 03	ICE CHUTE
0016	SC610148 10	TUBE
0017	SC610188 00	TUBE
0018	SC610236 00	TUBE
0019	SC660224 02	DRAIN FITTING
0020	SC660535 00	PLASTIC NUT
0021	SC620460 00	WATER DRAIN VALVE



Pos	Code	Description
0001	SC620462 24	PC BAORD 230V-ATEX
0002	SC620519 01	EVAPORATOR SENSOR
0003	SC620519 04	CONDENSER SENSOR
0004	SC650674 07	ICE LEVEL SENSOR
0005	0	Not Present