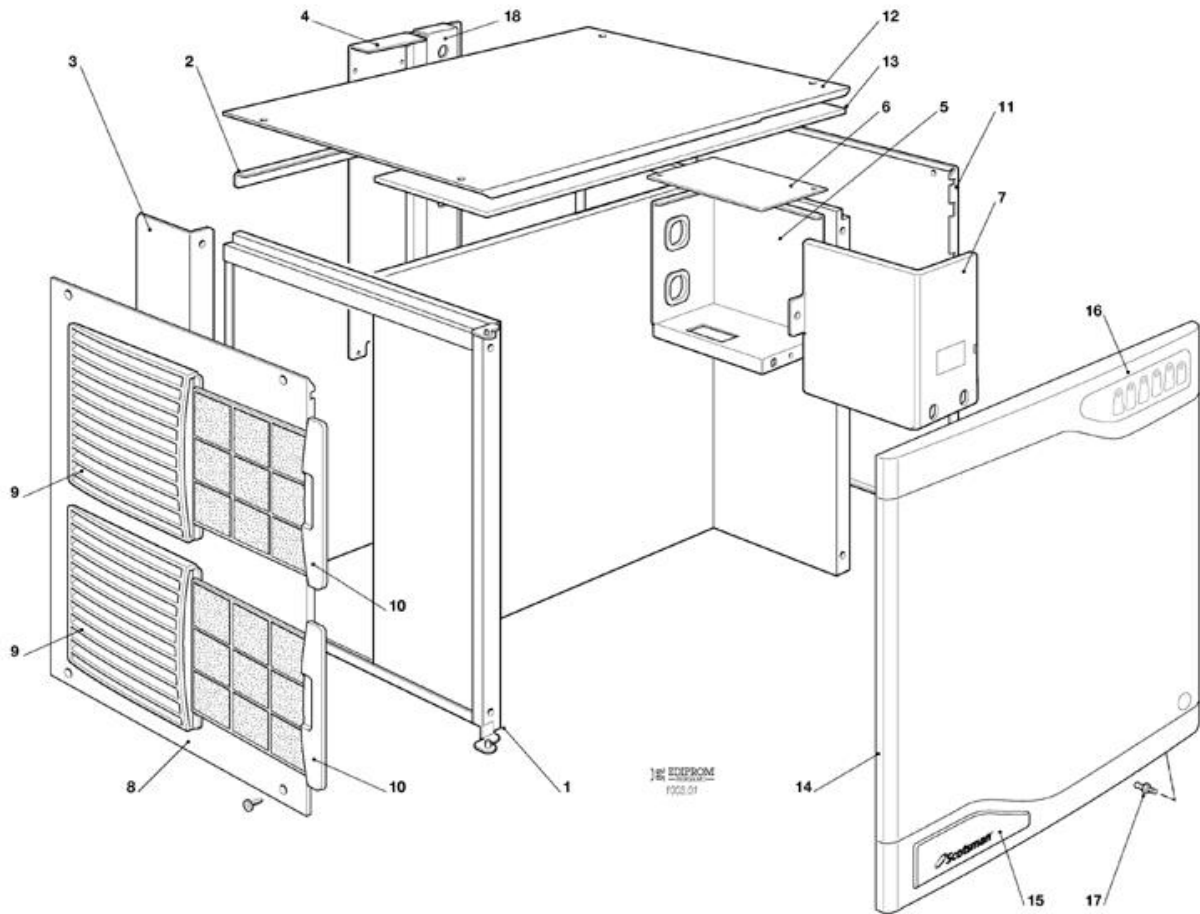
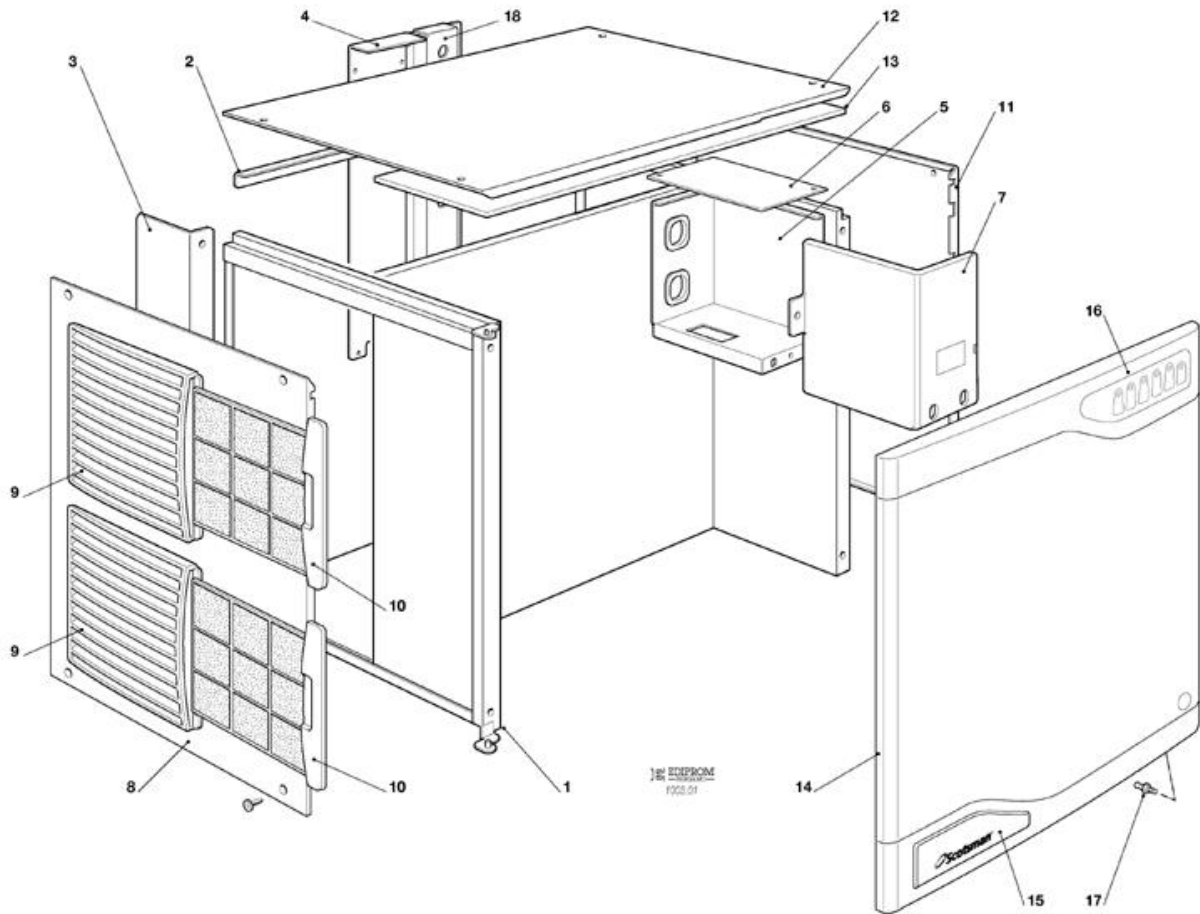


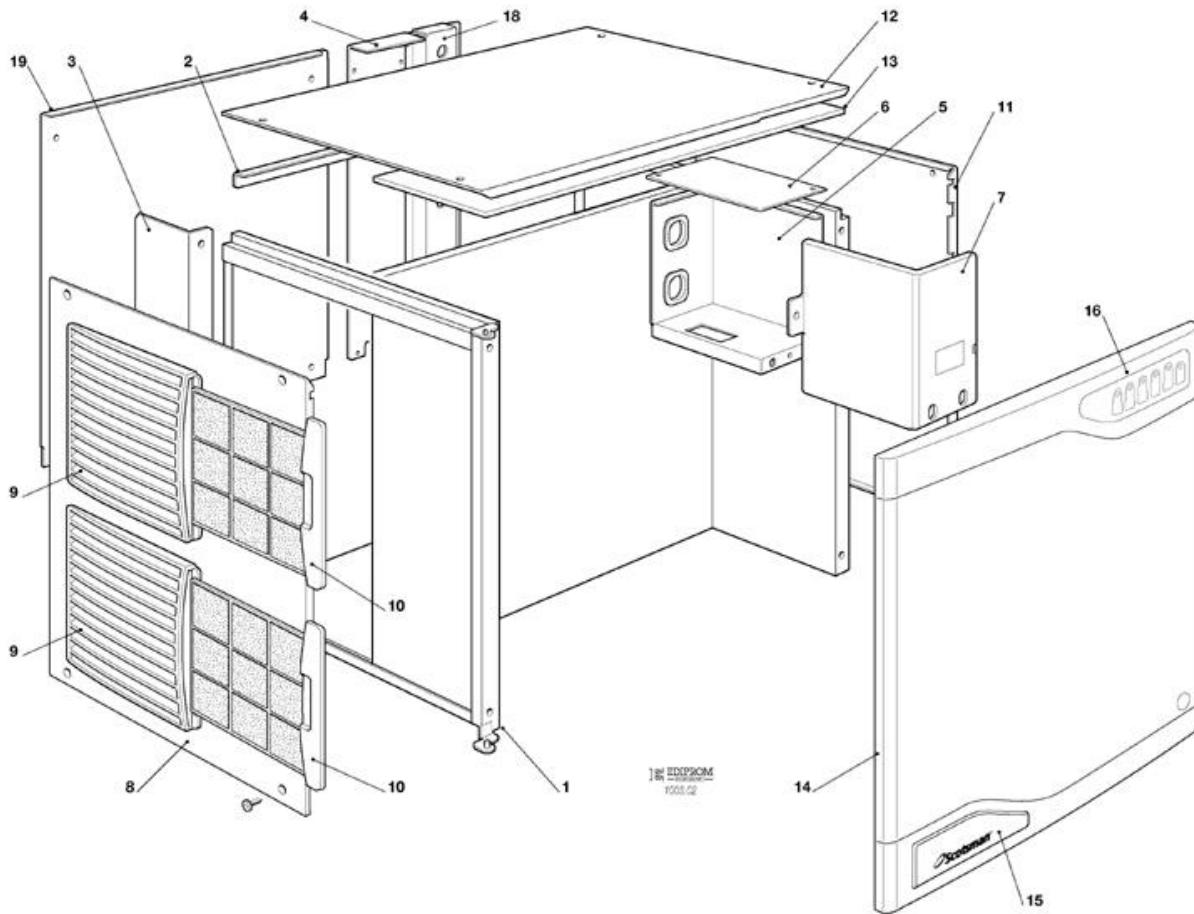
- 1 UNIT PANELS – AIR COOLED – UP TO S.N. 00769
- 2 UNIT PANELS – AIR COOLED – FROM S.N. 00770
- 3 UNIT PANELS – WATER COOLED – UP TO S.N. 00769
- 4 UNIT PANELS – WATER COOLED – FROM S.N. 00770
- 5 REFRIGERANT SYSTEM AIR COOLED
- 6 REFRIGERANT SYSTEM WATER COOLED – UP TO S.N. 00800
- 7 REFRIGERANT SYSTEM WATER COOLED – FROM S.N. 00801
- 8 WATER SYSTEM - UP TO S.N. 0291
- 9 WATER SYSTEM - FROM S.N. 0292
- 10 P.C. BOARD AND SENSORS ASSY - UP TO S.N. 00076
- 11 P.C. BOARD AND SENSORS ASSY - FROM S.N. 00077 TO S.N. 00084
- 12 P.C. BOARD AND SENSORS ASSY - FROM S.N. 00085



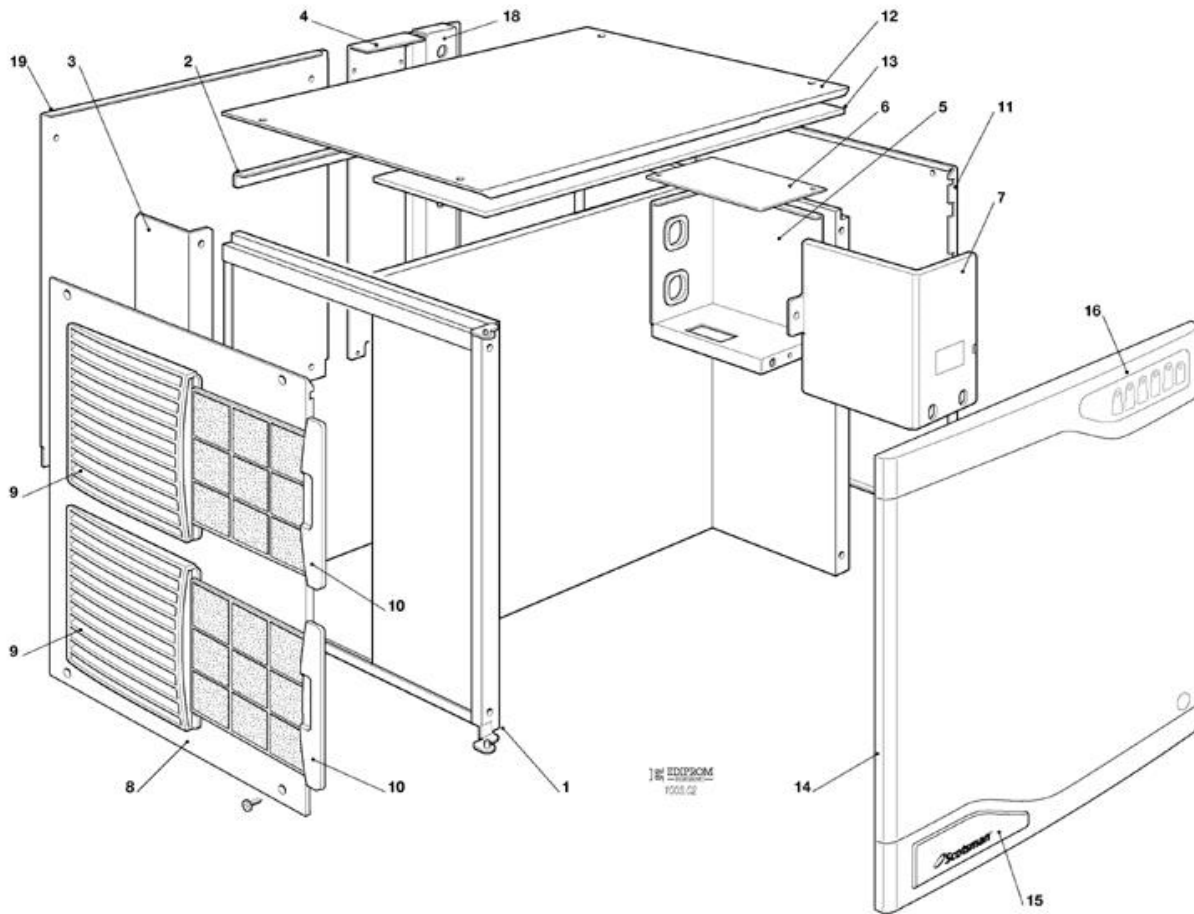
Pos	Code	Description
0001	SCCM 19430104	CLIP
0001	SCCM 81454242	UNIT FRAME
0002	SCCM 25753309	REAR BRACKET
0003	SCCM 25260482	AIR BAFFLE
0004	SCCM 25550888	REAR PANEL
0005	SCCM 25690244	CONTROL BOX
0006	SCCM 25160713	CONTROL BOX TOP COVER
0007	SCCM 25160717	CONTROL BOX PLASTIC COVER
0008	SCCM 25330875	LEFT SIDE PANEL
0009	SC02004224 01	PLASTIC LOUVER PANEL
0010	SC02004212 01	PLASTIC FILTER
0011	SCCM 25330873	RIGHT SIDE PANEL
0012	SCCM 25160711	TOP PANEL
0013	SCCM 25410091	INSULATION
0014	SCCM 81453974	PANEL, FRONT
0015	SCCM 19263090	SCOTSMAN LOGO
0016	SCCM 19262733	LABEL, MONITORING PANEL
0017	SCSC 19520104	METAL PIN
0018	SCCM 25725598	METAL BRACKET



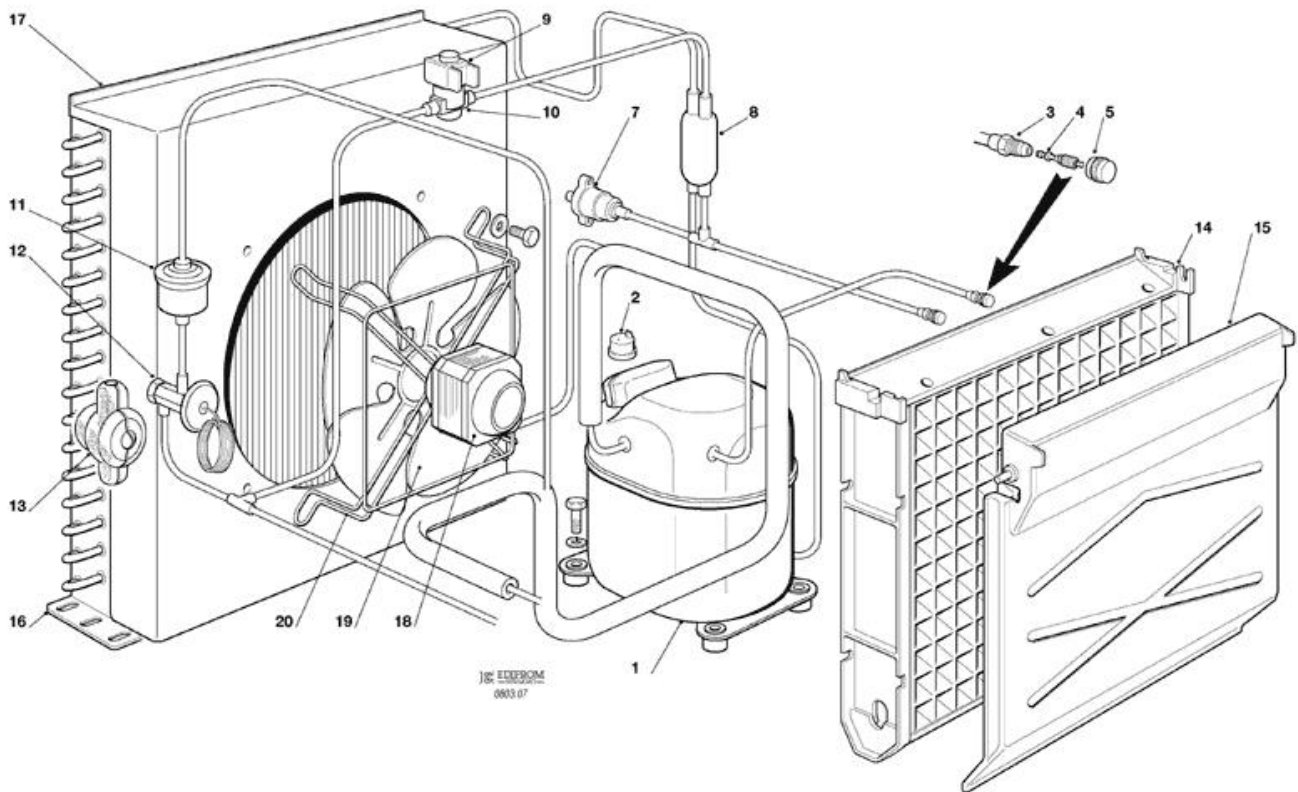
Pos	Code	Description
0001	SCCM 19430104	CLIP
0001	SCCM 81454242	UNIT FRAME
0002	SCCM 25753309	REAR BRACKET
0003	SCCM 25260482	AIR BAFFLE
0004	SCCM 25550888	REAR PANEL
0005	SCCM 25690244	CONTROL BOX
0006	SCCM 25160713	CONTROL BOX TOP COVER
0007	SCCM 25160717	CONTROL BOX PLASTIC COVER
0008	SCCM 25330875	LEFT SIDE PANEL
0009	SC02004224 01	PLASTIC LOUVER PANEL
0010	SC02004212 01	PLASTIC FILTER
0011	SC02004212 01	PLASTIC FILTER
0011	SCCM 25330906	RIGHT SIDE PANEL ONLY
0011	SCCM 25725529	PLASTIC LOUVER
0011	SCCM 81454662	RIGHT SIDE PANEL ASSY
0012	SCCM 25160711	TOP PANEL
0013	SCCM 25410091	INSULATION
0014	SCCM 81453974	PANEL, FRONT
0015	SCCM 19263090	SCOTSMAN LOGO
0016	SCCM 19262733	LABEL, MONITORING PANEL
0017	SCSC 19520104	METAL PIN
0018	SCCM 25725598	METAL BRACKET



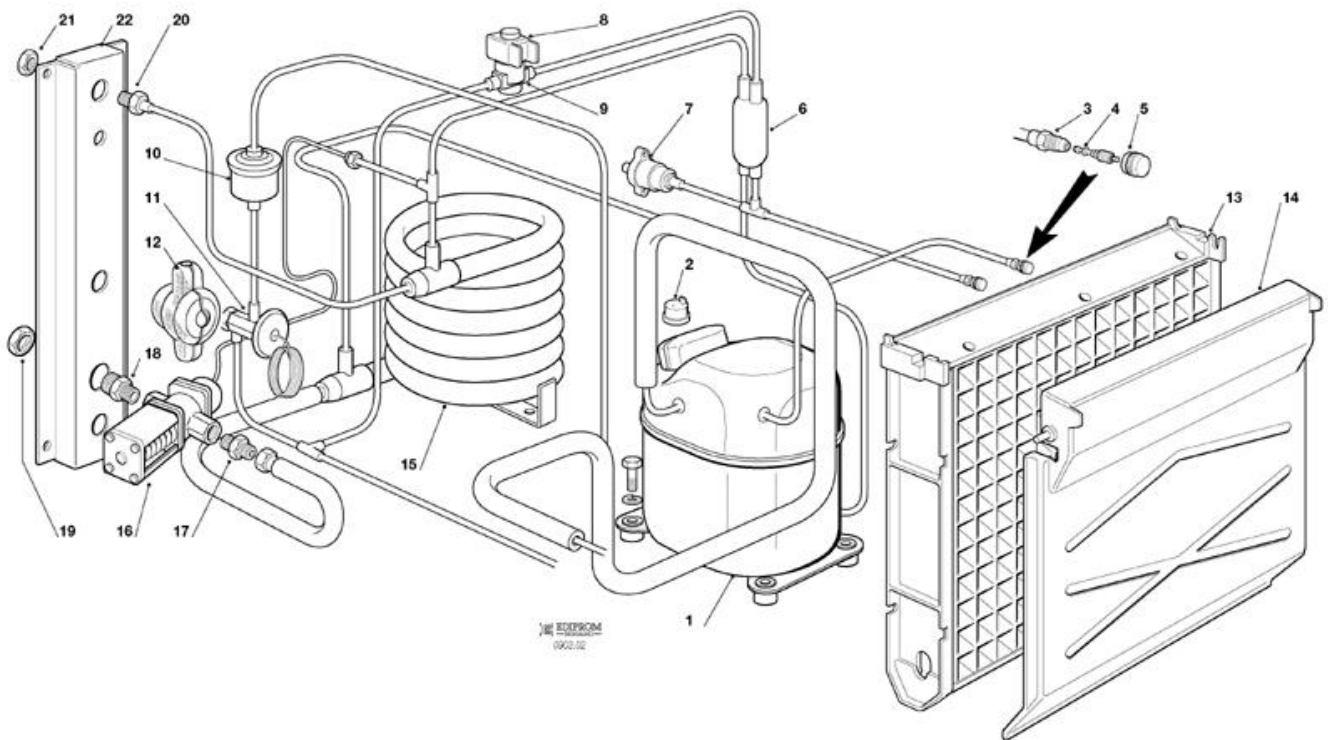
Pos	Code	Description
0001	SCCM 19430104	CLIP
0001	SCCM 81454242	UNIT FRAME
0002	SCCM 25753309	REAR BRACKET
0003	SCCM 25260482	AIR BAFFLE
0005	SCCM 25690244	CONTROL BOX
0006	SCCM 25160713	CONTROL BOX TOP COVER
0007	SCCM 25160717	CONTROL BOX PLASTIC COVER
0008	SCCM 25330875	LEFT SIDE PANEL
0009	SC02004224 01	PLASTIC LOUVER PANEL
0010	SC02004212 01	PLASTIC FILTER
0011	SCCM 25330873	RIGHT SIDE PANEL
0012	SCCM 25160711	TOP PANEL
0013	SCCM 25410091	INSULATION
0014	SCCM 81453974	PANEL, FRONT
0014	SCSC 19520104	METAL PIN
0015	SCCM 19263090	SCOTSMAN LOGO
0016	SCCM 19262733	LABEL, MONITORING PANEL
0018	SCCM 25725598	METAL BRACKET
0019	SCCM 25550855	PANEL, REAR - WATER COOLED



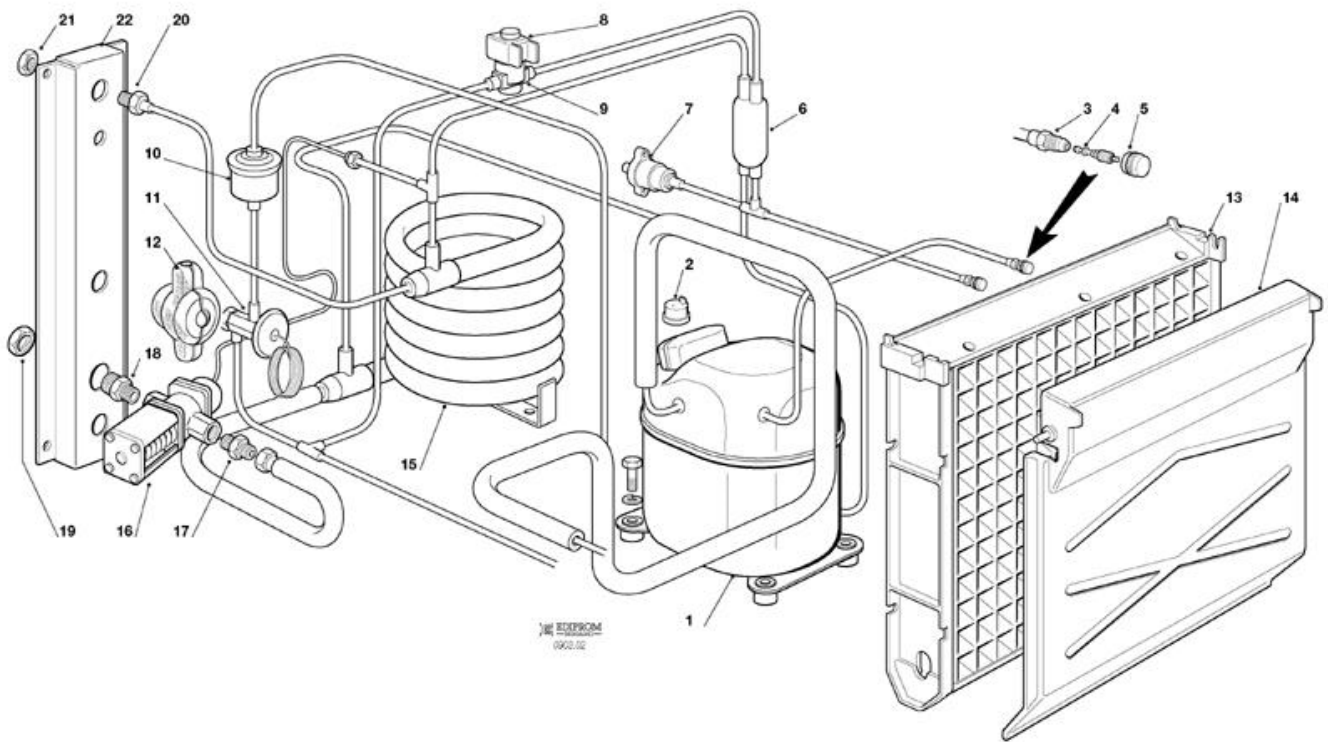
Pos	Code	Description
0001	SCCM 19430104	CLIP
0001	SCCM 81454242	UNIT FRAME
0002	SCCM 25753309	REAR BRACKET
0003	SCCM 25260482	AIR BAFFLE
0005	SCCM 25690244	CONTROL BOX
0006	SCCM 25160713	CONTROL BOX TOP COVER
0007	SCCM 25160717	CONTROL BOX PLASTIC COVER
0008	SCCM 25330875	LEFT SIDE PANEL
0009	SC02004224 01	PLASTIC LOUVER PANEL
0010	SC02004212 01	PLASTIC FILTER
0011	SC02004212 01	PLASTIC FILTER
0011	SCCM 25330906	RIGHT SIDE PANEL ONLY
0011	SCCM 25725529	PLASTIC LOUVER
0011	SCCM 81454662	RIGHT SIDE PANEL ASSY
0012	SCCM 25160711	TOP PANEL
0013	SCCM 25410091	INSULATION
0014	SCCM 81453974	PANEL, FRONT
0014	SCSC 19520104	METAL PIN
0015	SCCM 19263090	SCOTSMAN LOGO
0016	SCCM 19262733	LABEL, MONITORING PANEL
0018	SCCM 25725598	METAL BRACKET
0019	SCCM 25550888	REAR PANEL



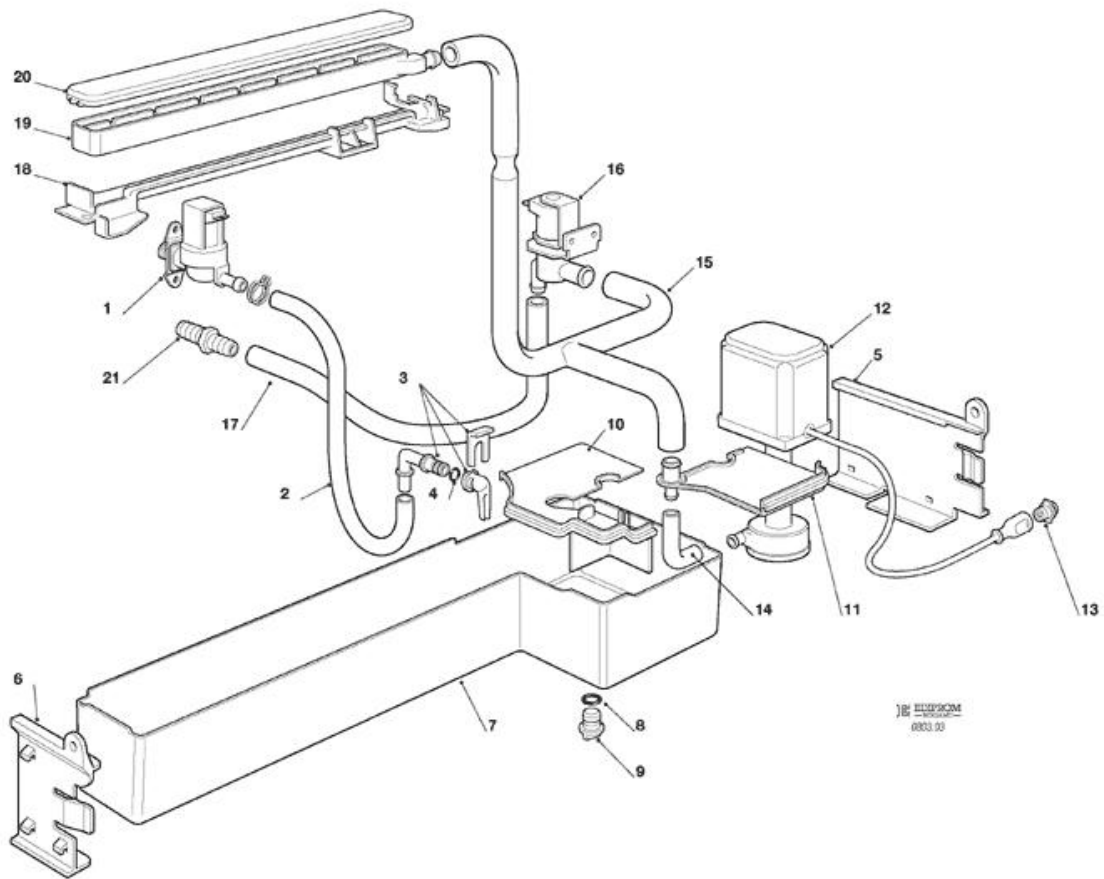
Pos	Code	Description
0001	SC670099 24	COMPRESSOR - 220-240/50/1
0001	SC670099 29	COMPRESSOR - 400/50/3
0001	SCCM 19166063	COMPRESSOR - 230/60/1
0002	SC620058 57	PROTECTOR - 230/50/1
0003	SC650109 00	VALVE BODY
0004	SC670012 00	VALVE CORE
0005	SC650106 00	CAP
0007	SCCM 19550628	HI PRESSURE SAFETY SWITCH
0008	SCCM 19301268	MECHANICAL FILTER
0009	SCCM 19863034	HOT GAS VALVE ASSY
0009	SCSP 1124012	HOT GAS VALVE COIL - 230/50-60
0010	SCCM 19863034	HOT GAS VALVE ASSY
0011	SCCM 19301257	DRIER
0012	SCCM 19870312	TXV
0013	SCCM 25410096	TXV INSULATION
0014	SC02004156 21	EVAPORATOR UPPER PLASTIC PLATE
0014	SCCM 81454176	EVAPORATOR ASSY - DICE CUBE
0014	SCCM 81454177	EVAPORATOR ASSY - LARGE CUBE
0014	SCCM 81454178	EVAPORATOR ASSY - HALF LARGE CUBE
0015	SCCM 81454579	CURTAIN
0016	SCCM 19177097	CONDENSER
0017	SCCM 81454264	CONDENSER SHROUD
0018	SCCM 18562524	FAN MOTOR - 230/50-60
0019	SCCM 18740042	FAN BLADE
0019	SCCM 18740043	FAN BLADE - 60HZ
0020	SCCM 25726513	FAN BRACKET



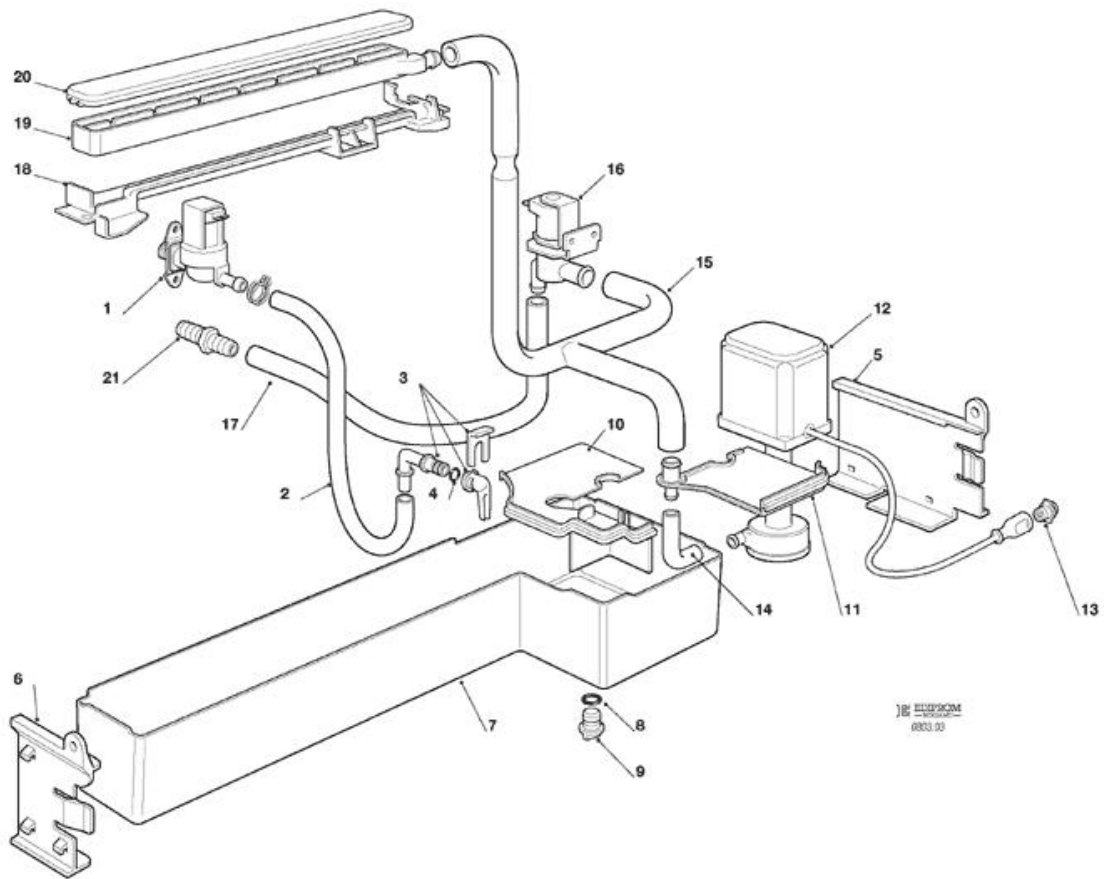
Pos	Code	Description
0001	SC670099 24	COMPRESSOR - 220-240/50/1
0001	SC670099 29	COMPRESSOR - 400/50/3
0001	SCCM 19166063	COMPRESSOR - 230/60/1
0002	SC620058 57	PROTECTOR - 230/50/1
0003	SC650109 00	VALVE BODY
0004	SC670012 00	VALVE CORE
0005	SC650106 00	CAP
0006	SCCM 19301268	MECHANICAL FILTER
0007	SCCM 19550628	HI PRESSURE SAFETY SWITCH
0008	SCSP 1124012	HOT GAS VALVE COIL - 230/50-60
0009	SCCM 19863034	HOT GAS VALVE ASSY
0010	SCCM 19301257	DRIER
0011	SCCM 19870312	TXV
0012	SCCM 25410096	TXV INSULATION
0013	SC02004156 21	EVAPORATOR UPPER PLASTIC PLATE
0013	SCCM 81454176	EVAPORATOR ASSY - DICE CUBE
0013	SCCM 81454177	EVAPORATOR ASSY - LARGE CUBE
0013	SCCM 81454178	EVAPORATOR ASSY - HALF LARGE CUBE
0014	SCCM 81454579	CURTAIN
0015	SCCM 19177519	CONDENSER
0016	SC620111 00	WATER REGUL. VALVE
0017	SCCM 25631045	FITTING
0018	SCCM 25631047	FITTING
0019	SCCM 25250105	NUT
0020	SCCM 25631039	WATER FITTING-IN
0021	SCCM 25250105	NUT
0022	SCCM 25725603	METAL BRACKET



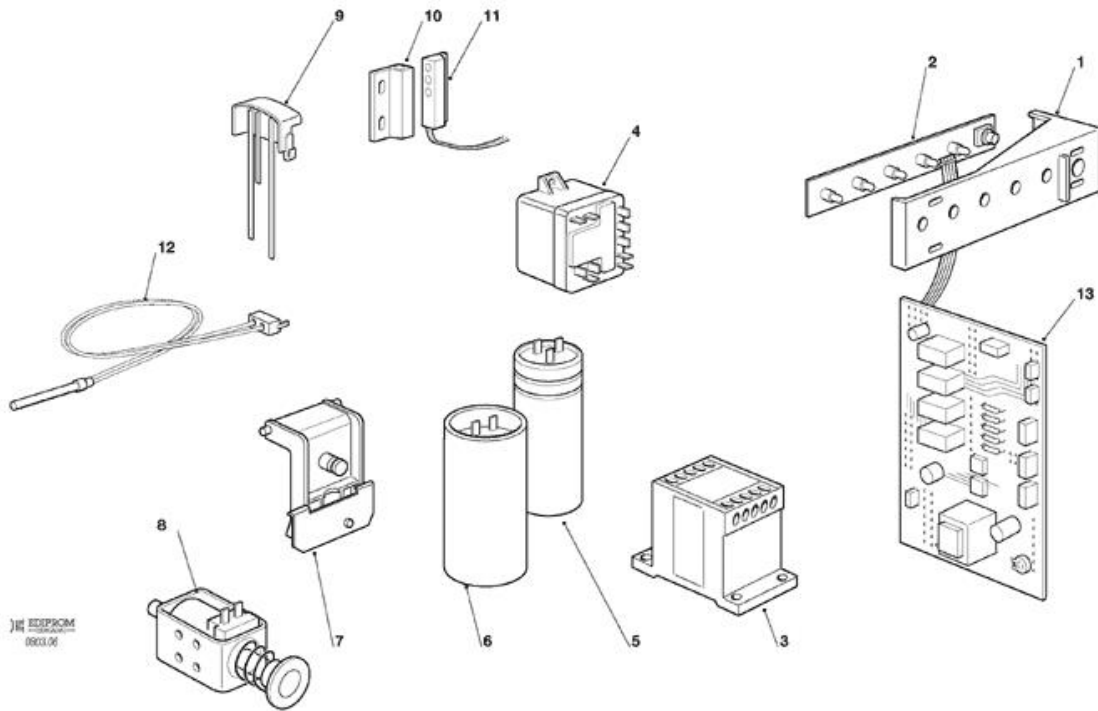
Pos	Code	Description
0001	SC670099 24	COMPRESSOR - 220-240/50/1
0001	SC670099 29	COMPRESSOR - 400/50/3
0001	SCCM 19166063	COMPRESSOR - 230/60/1
0002	SC620058 57	PROTECTOR - 230/50/1
0003	SC650109 00	VALVE BODY
0004	SC670012 00	VALVE CORE
0005	SC650106 00	CAP
0006	SCCM 19301268	MECHANICAL FILTER
0007	SCCM 19550633	HI PRESSURE CTRL
0008	SCSP 1124012	HOT GAS VALVE COIL - 230/50-60
0009	SCCM 19863034	HOT GAS VALVE ASSY
0010	SCCM 19301257	DRIER
0011	SCCM 19870312	TXV
0012	SCCM 25410096	TXV INSULATION
0013	SC02004156 21	EVAPORATOR UPPER PLASTIC PLATE
0013	SCCM 81454176	EVAPORATOR ASSY - DICE CUBE
0013	SCCM 81454177	EVAPORATOR ASSY - LARGE CUBE
0013	SCCM 81454178	EVAPORATOR ASSY - HALF LARGE CUBE
0014	SCCM 81454579	CURTAIN
0015	SCCM 19177519	CONDENSER
0016	SC620111 00	WATER REGUL. VALVE
0017	SCCM 25631045	FITTING
0018	SCCM 25631047	FITTING
0019	SCCM 25250105	NUT
0020	SCCM 25631039	WATER FITTING-IN
0021	SCCM 25250105	NUT
0022	SCCM 25725603	METAL BRACKET



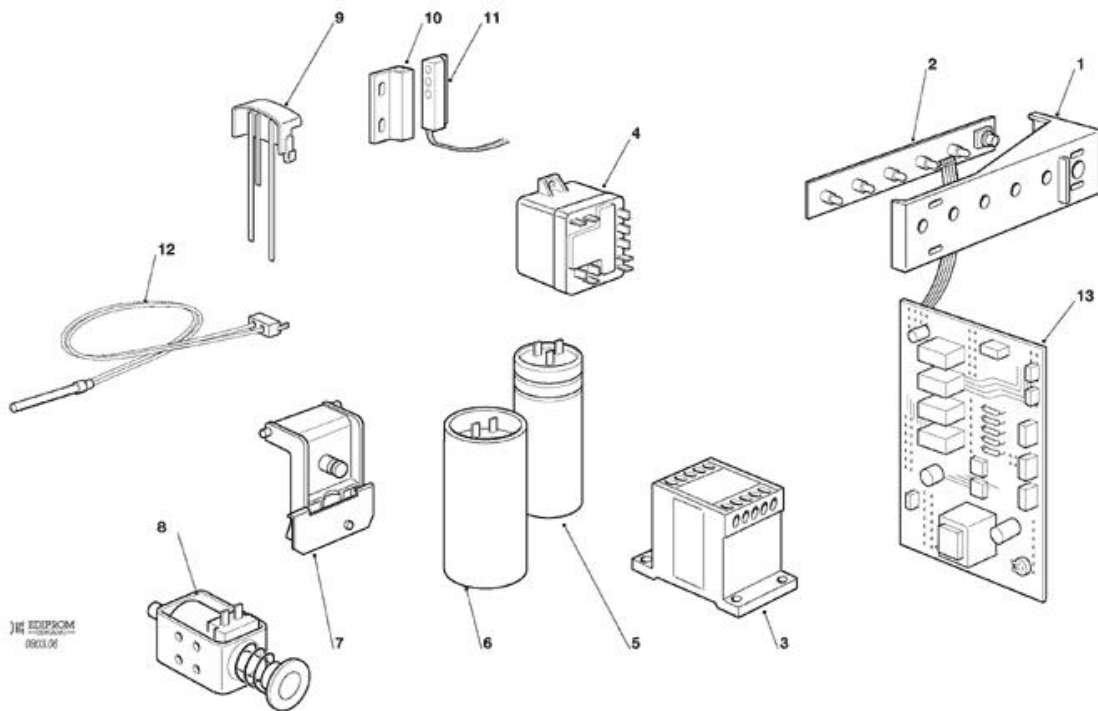
Pos	Code	Description
0001	SC650105 54	INLET VALVE - 230/50 - 60
0002	SC281900 01	TUBE 16X10
0003	SC793172 00R	WATER INLET ELBOW ASSY
0004	SC640041 31	O RING
0005	SCCM 25725589	RIGHT PLASTIC BRACKET
0006	SCCM 25725590	LEFT PLASTIC BRACKET
0007	SCCM 25820130	WATER RESERVOIR
0008	SC640041 31	O RING
0009	SCCM 25730503	DRAIN PLUG
0010	SCCM 25160715	LEFT PLASTIC COVER
0011	SCCM 81454261	FRONT PLASTIC COVER
0012	SCCM 81452001	WATER PUMP KIT
0012	SCCM 81452002	WATER PUMP KIT 230/60
0013	SCCM 81454635	POWER SOCKET
0014	SCCM 25790071	PLASTIC HOSE
0015	SCCM 81454215	PLASTIC HOSE
0016	SC11000564 02	PURGE VALVE
0017	SCCM 25790072	PLASTIC HOSE
0018	SC02004064 02	WATER PAN
0018	SC02004205 02	WATER PAN PLASTIC BRACKET
0019	SC02004064 02	WATER PAN
0020	SC02004065 01	WATER DISTRIBUTOR COVER
0021	SCCM 25690807	DRAIN FITTING, WATER



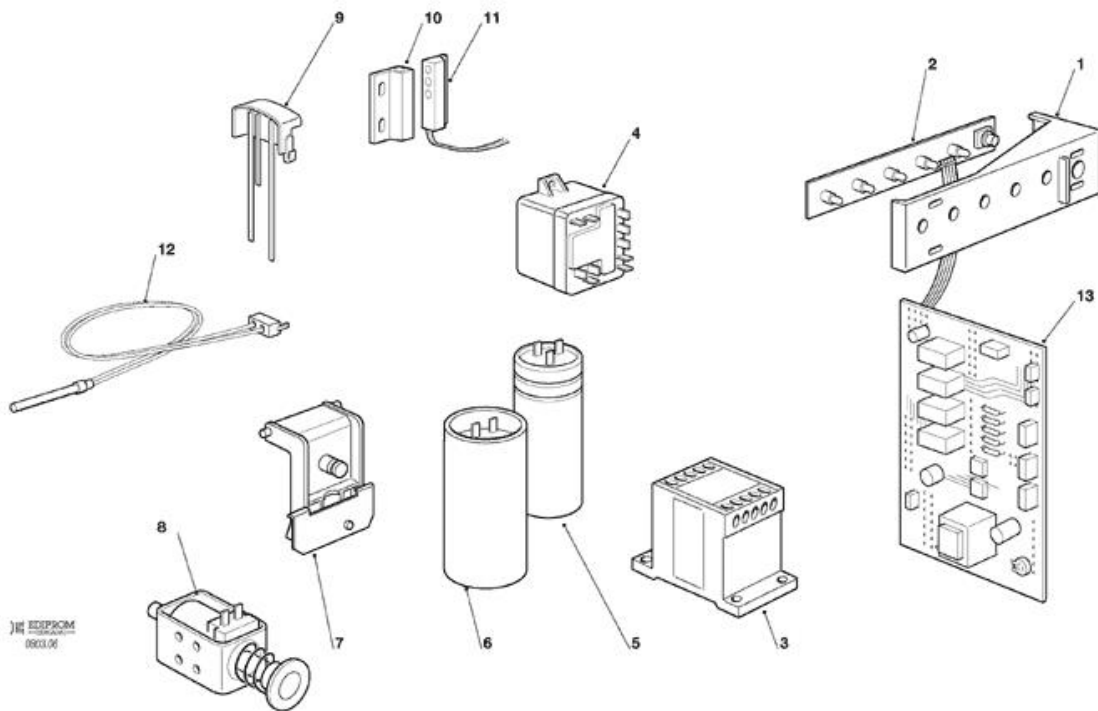
Pos	Code	Description
0001	SC650105 54	INLET VALVE - 230/50 - 60
0002	SC281900 01	TUBE 16X10
0003	SC793172 00R	WATER INLET ELBOW ASSY
0004	SC640041 31	O RING
0005	SCCM 25725589	RIGHT PLASTIC BRACKET
0006	SCCM 25725590	LEFT PLASTIC BRACKET
0007	SCCM 25820130	WATER RESERVOIR
0008	SC640041 31	O RING
0009	SCCM 25730503	DRAIN PLUG
0010	SCCM 25160715	LEFT PLASTIC COVER
0011	SCCM 81454261	FRONT PLASTIC COVER
0012	SCCM 81454637	WATER PUMP - 230/50/1
0012	SCCM 81454638	WATER PUMP - 230/60/1
0013	SCCM 81454635	POWER SOCKET
0014	SCCM 25790071	PLASTIC HOSE
0015	SCCM 81454215	PLASTIC HOSE
0016	SC11000564 02	PURGE VALVE
0017	SCCM 25790072	PLASTIC HOSE
0018	SC02004064 02	WATER PAN
0018	SC02004205 02	WATER PAN PLASTIC BRACKET
0019	SC02004064 02	WATER PAN
0020	SC02004065 01	WATER DISTRIBUTOR COVER
0021	SCCM 25690807	DRAIN FITTING, WATER



Pos	Code	Description
0001	SCCM 25725525	LED HOLDER
0002	SCCM 33580151	MONITOR PANEL
0003	SCCM 33730712	CONTACTOR
0004	SC620057 47	RELAY - 230/50
0004	SCCM 19621704	RELAY - 230/60/1
0005	SC620167 54	CAPACITOR - 35 MFD/450V
0005	SCCM 19180624	RUN CAPACITOR - 230/60/1
0006	SC620167 00	START CAPACITOR 88-108MFD/330V
0006	SC620167 48	CAPACITOR - 156 MFD/330V
0007	SCCM 81455094	ICE THICKNESS SENSOR
0008	SCCM 81454259	HARVEST ASSIST SOLENOID ASSY
0009	SC0A039030 21	WATER LEVEL SENSOR
0009	SCCM 81455102	WATER LEVEL SENSOR HARNESS
0010	SC11000563 02	MAGNET
0011	SC11000563 06	MAGNET SWITCH
0012	SCCM 33580101	CONDENSER SENSOR
0013	SCCM 33580250	CONTROLLER
0013	SCCM 81453574	2 POLES CONNECTOR
0013	SCCM 81453826	4 POLES CONNECTOR
0013	SCCM 81453827	5 POLES CONNECTOR
0013	SCCM 81453828	3 POLES CONNECTOR



Pos	Code	Description
0001	SCCM 25725525	LED HOLDER
0002	SCCM 33580151	MONITOR PANEL
0003	SCCM 33730712	CONTACTOR
0004	SC620057 47	RELAY - 230/50
0004	SCCM 19621704	RELAY - 230/60/1
0005	SC620167 54	CAPACITOR - 35 MFD/450V
0005	SCCM 19180624	RUN CAPACITOR - 230/60/1
0006	SC620167 00	START CAPACITOR 88-108MFD/330V
0006	SC620167 48	CAPACITOR - 156 MFD/330V
0007	SCCM 81455094	ICE THICKNESS SENSOR
0008	SCCM 81454259	HARVEST ASSIST SOLENOID ASSY
0009	SC0A039030 21	WATER LEVEL SENSOR
0009	SCCM 81455102	WATER LEVEL SENSOR HARNESS
0010	SC11000563 02	MAGNET
0011	SC11000563 06	MAGNET SWITCH
0012	SCCM 33580101	CONDENSER SENSOR
0013	SCCM 33580250	CONTROLLER
0013	SCCM 81453574	2 POLES CONNECTOR
0013	SCCM 81453826	4 POLES CONNECTOR
0013	SCCM 81453827	5 POLES CONNECTOR
0013	SCCM 81453828	3 POLES CONNECTOR



Pos	Code	Description
0001	SCCM 25725525	LED HOLDER
0002	SCCM 33580151	MONITOR PANEL
0003	SCCM 33730712	CONTACTOR
0004	SC620057 47	RELAY - 230/50
0004	SCCM 19621704	RELAY - 230/60/1
0005	SC620167 54	CAPACITOR - 35 MFD/450V
0005	SCCM 19180624	RUN CAPACITOR - 230/60/1
0006	SC620167 00	START CAPACITOR 88-108MFD/330V
0006	SC620167 48	CAPACITOR - 156 MFD/330V
0007	SCCM 81455094	ICE THICKNESS SENSOR
0008	SCCM 19270502	HARVEST ASSIST SOLENOID
0009	SC0A039030 21	WATER LEVEL SENSOR
0009	SCCM 81455102	WATER LEVEL SENSOR HARNESS
0010	SC11000563 02	MAGNET
0011	SC11000563 06	MAGNET SWITCH
0012	SCCM 33580101	CONDENSER SENSOR
0013	SCCM 33580250	CONTROLLER
0013	SCCM 81453574	2 POLES CONNECTOR
0013	SCCM 81453826	4 POLES CONNECTOR
0013	SCCM 81453827	5 POLES CONNECTOR
0013	SCCM 81453828	3 POLES CONNECTOR