

## RANGE COMPOSITION

EVO900: a range designed to guarantee the highest level of performance, reliability, energy saving, safety standards and ergonomic operation. These concepts are reflected throughout the line in its modularity, construction and numerous configurations: countertop (on base or table), free-standing, on concrete or stainless steel plinth, bridged or cantilever. Thanks to its advanced technology and premium performance, EVO900 is a perfect solution for restaurants as well as large institutions needing high power and high productivity. The models detailed in this sheet are 4 base cupboards: one ½ module open base cupboard, one full module open base cupboard, one 1200 mm module open base cupboard and one base cupboard with a drawer specific for bottles.



# EVO900

## BASE CUPBOARDS **ZANUSSI** PROFESSIONAL

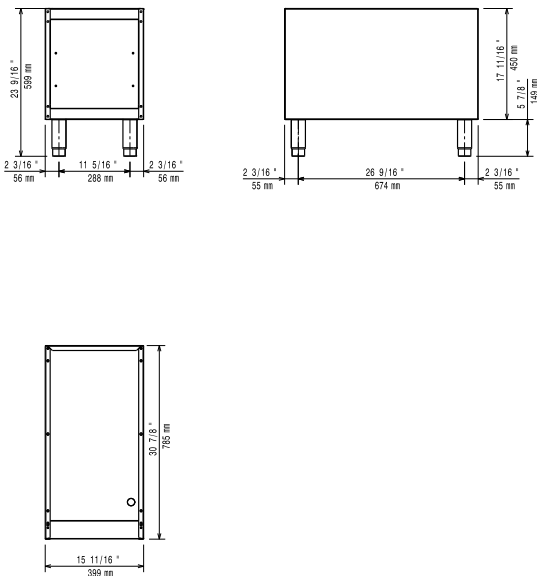
### FUNCTIONAL AND CONSTRUCTION FEATURES

- ◆ Front and side panels in stainless steel with Scotch Brite finish
- ◆ All the models are made from stainless steel with Scotch Brite finish.
- ◆ Optional accessories include doors with handles, drawers, heating kits and runners for GN containers.
- ◆ Model 391152 is a 200 mm base cupboard with a specially-designed

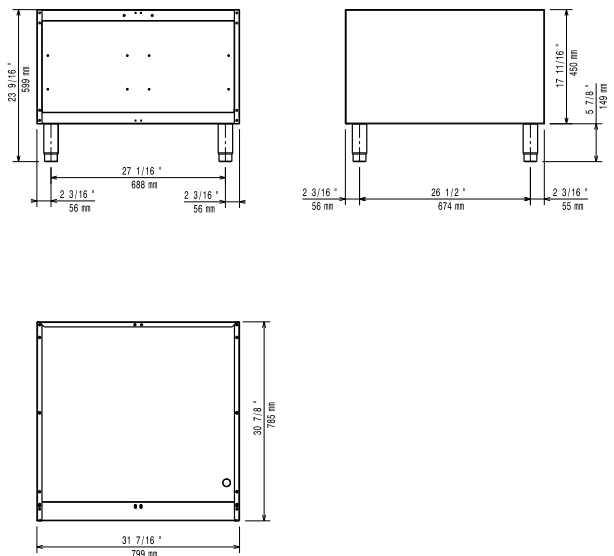
- bottle drawer, with full-length handle.
- ◆ Feet in stainless steel 50 mm adjustables in height to facilitate cleaning.
- ◆ All top models can be easily mounted on the open base cupboards.

TECHNICAL DATA				
CHARACTERISTICS	MODELS			
	E9BAND0000 391153	E9BANH0000 391154	E9BANL0000 391155	E9BANB000E 391152
External dimensions - mm				
width	400	800	1200	200
depth	900	900	900	900
height	600	600	600	600
height adjustment	50	50	50	50
Cupboard cavity - mm				
width	350	690	1090	
depth	770	770	770	
height	380	360	360	
Net weight - kg.	22	35	45	14

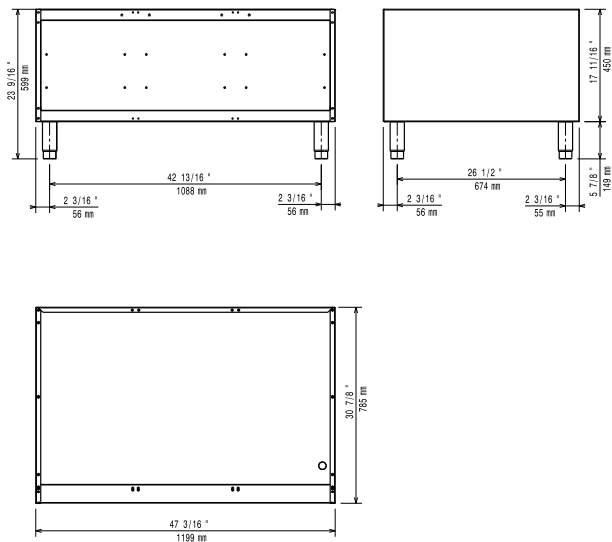
391153



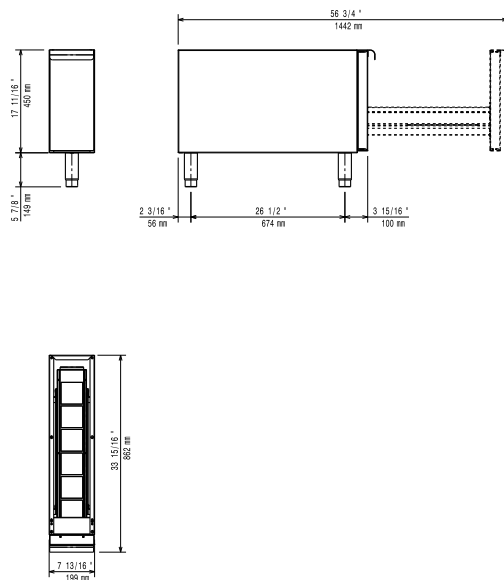
391154



391155



391152



## OPTIONAL ACCESSORIES

## ACCESSORIES

## MODELS

	E9BAN0000 391153	E9BANH0000 391154	E9BANL0000 391155	E9BANB000E 391152
2 DRAWERS (H=100MM) BASE 900 LINE-Z/OEM	206333	206333	206333	
2 SIDE COVERING PANELS H=700-D=900-Z/OEM	206335	206335	206335	206335
2 SIDE KICKING STRIPS - 900 LINE			206180	206180
2 SIDE KICKING STRIPS-CONCRETE INST-900			206157	206157
2 SUPPORTS+RUNNERS-4 GN 1/1 - 900 LINE	206145	206145	206145	
4 FEET FOR CONCRETE INSTALLATION	206210	206210	206210	206210
4 WHEELS (2 WITH BRAKE)		206188	206188	
CENTRAL SUPPORT FOR 900 LINE OPEN BASE		206149	206149	
DOOR FOR OPEN BASE CUPBOARD-OEM	206343	206343	206343	
DOOR FOR OPEN BASE CUPBOARD-ZANUSSI	206342	206342	206342	
ELECTRIC HEATING UNIT FOR CABINETS	206142	206142	206142	
FLANGED FEET KIT	206136	206136	206136	206136
FRONT.KICK.STRIP F.CONCRETE INST.1000 MM	206150	206150		206150
FRONT.KICK.STRIP F.CONCRETE INST.1200 MM	206151	206151	206151	206151
FRONT.KICK.STRIP F.CONCRETE INST.1600 MM	206152	206152	206152	206152
FRONT.KICK.STRIP F.CONCRETE INST.200 MM				206146
FRONT.KICK.STRIP F.CONCRETE INST.400 MM	206147			206147
FRONT.KICK.STRIP F.CONCRETE INST.800 MM		206148		206148
FRONTAL KICKING STRIP 1000 MM	206177	206177		206177
FRONTAL KICKING STRIP 1200 MM	206178	206178	206178	206178
FRONTAL KICKING STRIP 1600 MM	206179	206179	206179	206179
FRONTAL KICKING STRIP 200 MM				206174
FRONTAL KICKING STRIP 400 MM	206175			206175
FRONTAL KICKING STRIP 800 MM	206176	206176		206176
WATER COLUMN WITH SWIVEL ARM	206289	206289	206289	206289



www.zanussiprofessional.com