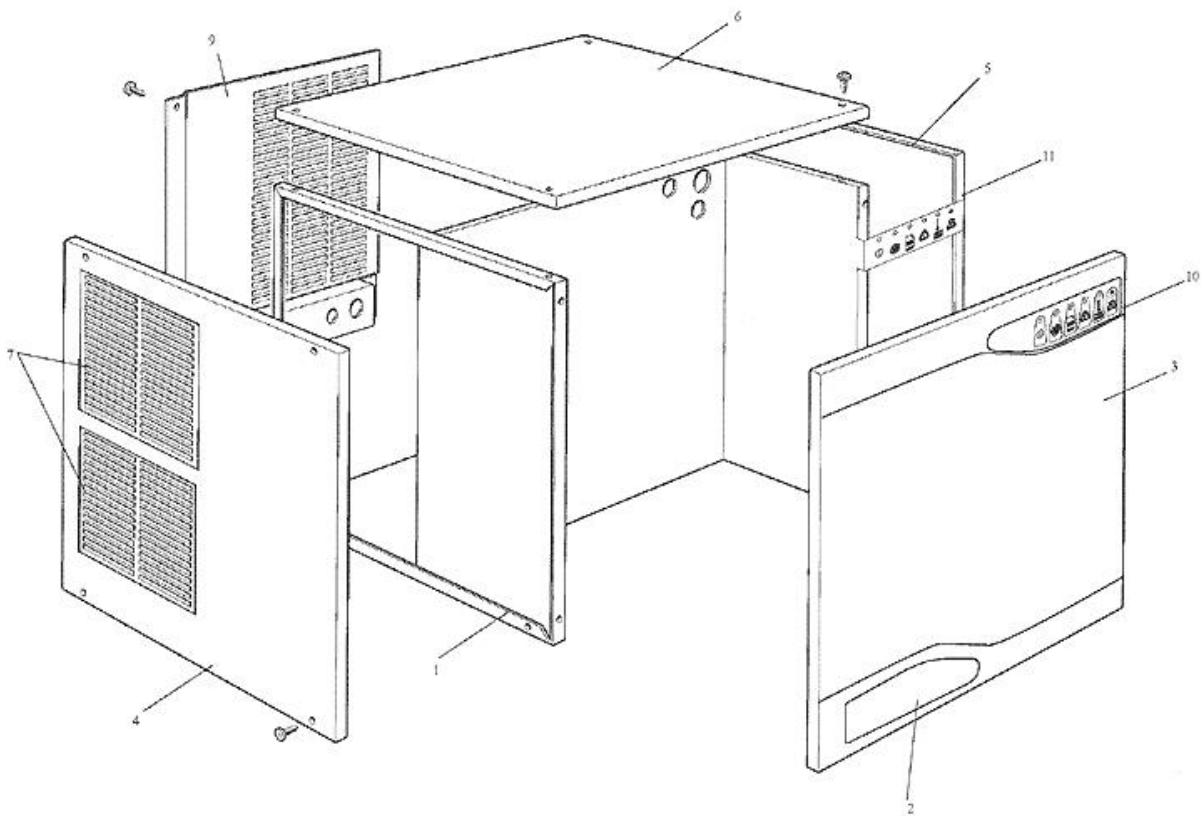
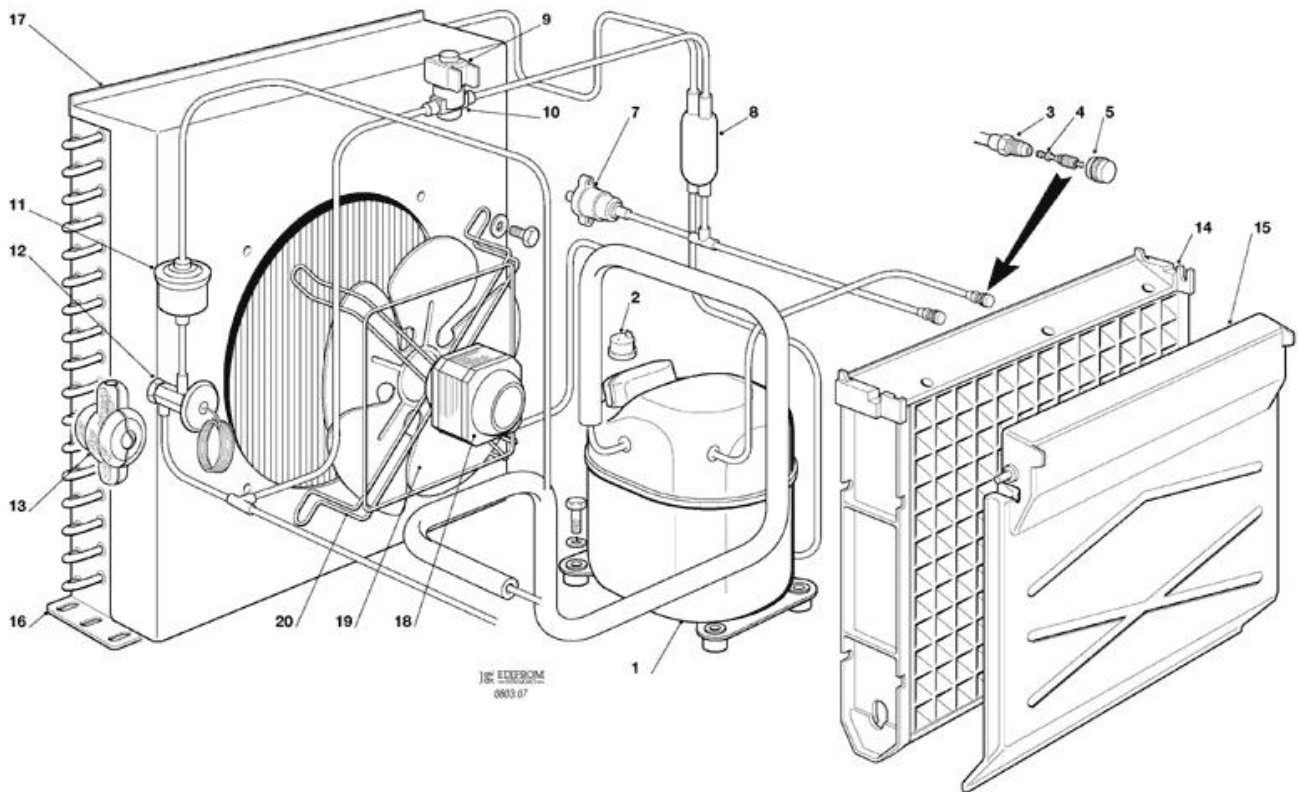


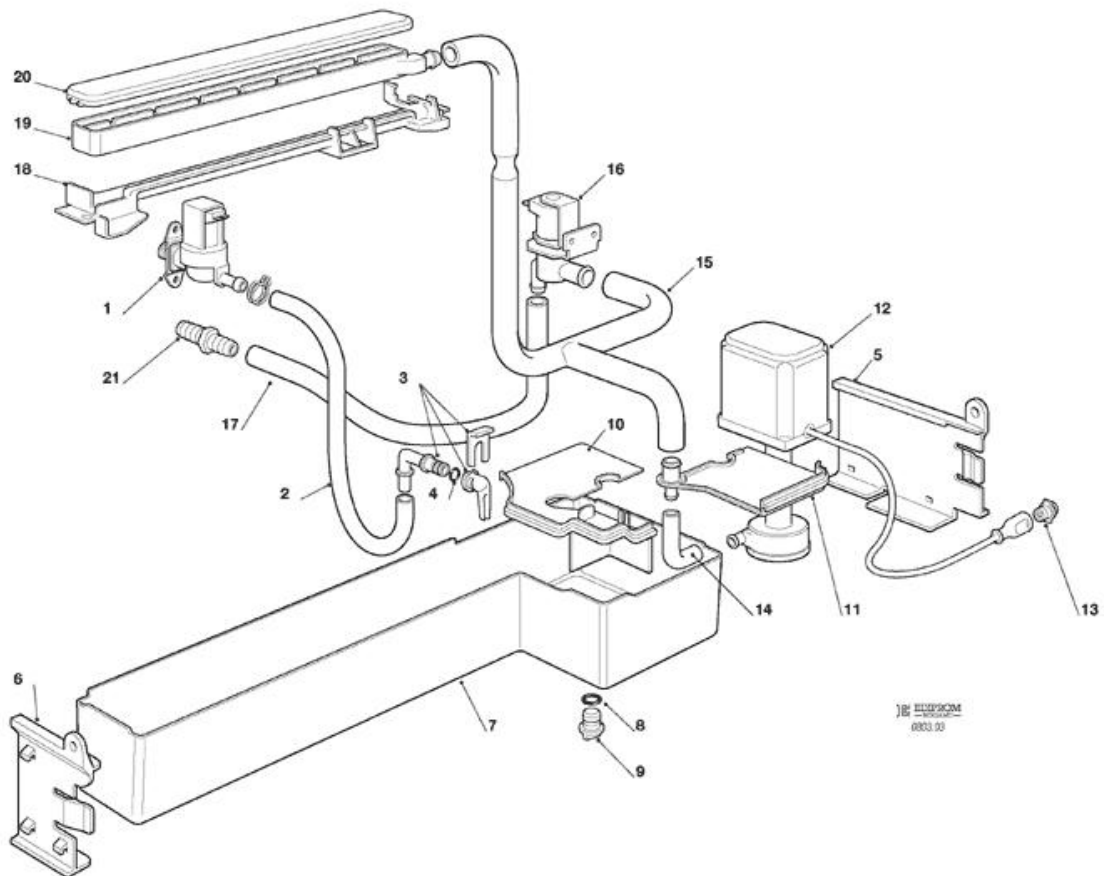
-
- 1 CABINET ASSY
 - 2 REFRIGERANT SYSTEM AIR COOLED
 - 3 ICE MAKING SYSTEM
 - 4 P.C. BOARD AND SENSORS ASSY - UP TO S.N. 00455
 - 5 P.C. BOARD AND SENSORS ASSY - FROM S.N. 00456



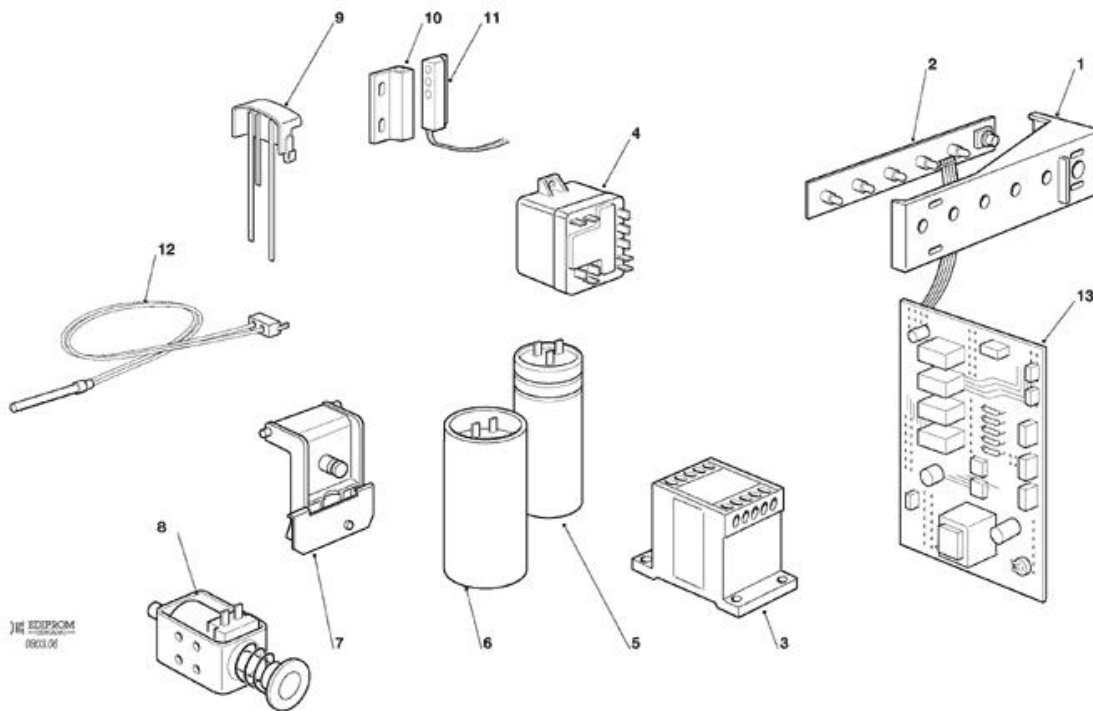
Pos	Code	Description
0001	SCCM 81455128	UNIT FRAME
0002	SCCM 19263173	LABEL MV 460
0003	SCCM 81453611	PANEL, FRONT
0004	SCCM 25330790	PANEL, LEFT SIDE
0005	SCCM 25330788	PANEL, RIGHT SIDE
0006	SCCM 81455074	TOP PANEL
0007	SCCM 28295030	GRILL PLASTIC
0009	SCCM 25161218	REAR PANEL - VERTICAL
0009	SCCM 25161219	REAR PANEL - HORIZONTAL
0010	SCCM 19262733	LABEL, MONITORING PANEL
0010	SCCM 19262763	INSIDE LABEL
0011	SCCM 25725525	LED HOLDER



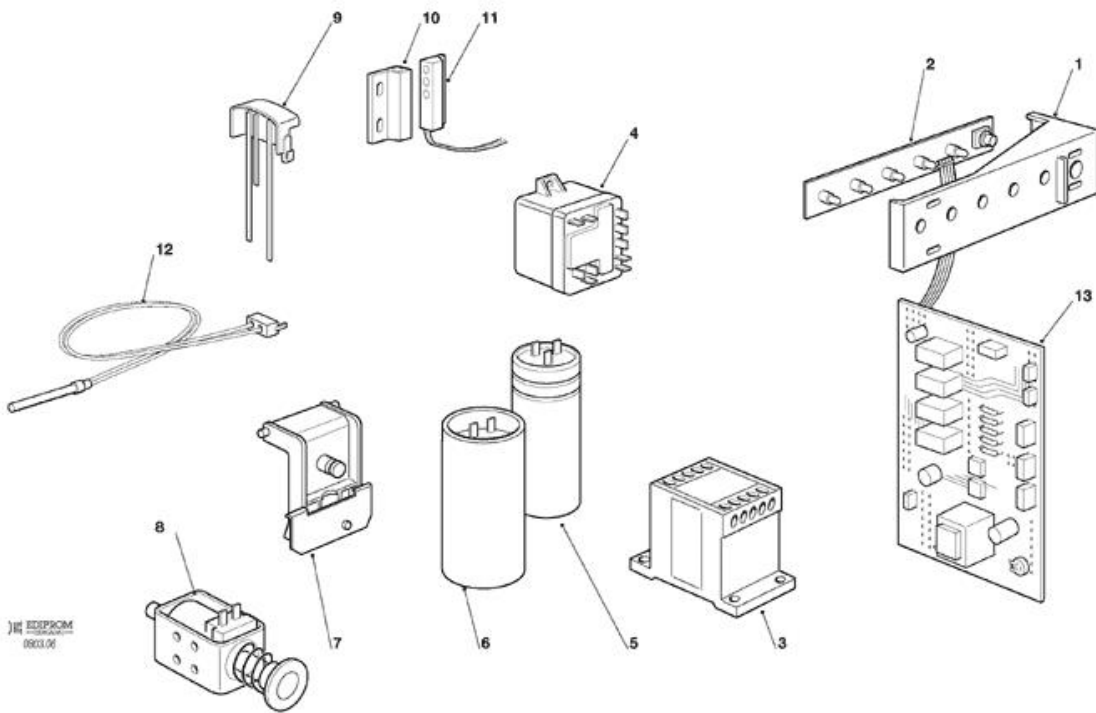
Pos	Code	Description
0001	SCCM 19166078	COMPRESSOR - 230/50/1
0003	SC650109 00	VALVE BODY
0004	SC670012 00	VALVE CORE
0005	SC650106 00	CAP
0007	SCCM 19550628	HI PRESSURE SAFETY SWITCH
0008	SCCM 19301268	MECHANICAL FILTER
0009	SCCM 19863056	HOT GAS VALVE ASSY - 230V
0011	SCCM 19300357	DRIER
0012	SCCM 19870870	TXV
0013	SCCM 25410096	TXV INSULATION
0014	SC02004156 21	EVAPORATOR UPPER PLASTIC PLATE
0014	SCCM 81454173	EVAPORATOR ASSY - DICE CUBE
0014	SCCM 81454175	EVAPORATOR ASSY - HALF LARGE CUBE
0015	SCCM 25550400	SPRAY CURTAIN
0016	SCCM 19177115	CONDENSER
0017	SCCM 25168728	SHROUD
0017	SCCM 25339016	AIR FILTER
0018	SCCM 18562583	FAN MOTOR ASSY - 230/50-60
0020	SCCM 25714137	FAN BRACKET



Pos	Code	Description
0001	SC650105 54	INLET VALVE - 230/50 - 60
0002	SC281900 01	TUBE 16X10
0003	SC793172 00R	WATER INLET ELBOW ASSY
0004	SC640041 31	O RING
0005	SCCM 25725589	RIGHT PLASTIC BRACKET
0006	SCCM 25725590	LEFT PLASTIC BRACKET
0007	SCCM 25820130	WATER RESERVOIR
0008	SC640041 31	O RING
0009	SCCM 25730503	DRAIN PLUG
0010	SCCM 25160715	LEFT PLASTIC COVER
0011	SCCM 81454261	FRONT PLASTIC COVER
0012	SCCM 81454610	WATER PUMP ASSY - 230/50
0013	SCCM 81454635	POWER SOCKET
0014	SCCM 25790071	PLASTIC HOSE
0015	SCCM 25790070	PLASTIC HOSE
0016	SC11000564 02	PURGE VALVE
0017	SCCM 25790072	PLASTIC HOSE
0018	SC02004064 02	WATER PAN
0018	SC02004205 02	WATER PAN PLASTIC BRACKET
0019	SC02004064 02	WATER PAN
0020	SC02004065 01	WATER DISTRIBUTOR COVER
0021	SCCM 25690807	DRAIN FITTING, WATER



Pos	Code	Description
0001	SCCM 25725525	LED HOLDER
0002	SCCM 33580151	MONITOR PANEL
0003	SCCM 33730712	CONTACTOR
0004	SCCM 19621710	RELAY - 230/50
0005	SC620167 25	RUN CAPACITOR
0006	SCEMB 2252345	CAPACITOR - 230/50/1
0007	SCCM 81455094	ICE THICKNESS SENSOR
0008	SCCM 81455072	HARVEST ASSIST SOLENOID ASSY
0009	SC0A039030 21	WATER LEVEL SENSOR
0009	SCCM 81455102	WATER LEVEL SENSOR HARNESS
0010	SC11000563 02	MAGNET
0011	SC11000563 06	MAGNET SWITCH
0012	SCCM 33580101	CONDENSER SENSOR
0013	SCCM 33580250	CONTROLLER
0013	SCCM 81453574	2 POLES CONNECTOR
0013	SCCM 81453826	4 POLES CONNECTOR
0013	SCCM 81453827	5 POLES CONNECTOR
0013	SCCM 81453828	3 POLES CONNECTOR



Pos	Code	Description
0001	SCCM 25725525	LED HOLDER
0002	SCCM 33580151	MONITOR PANEL
0003	SCCM 33730712	CONTACTOR
0004	SCCM 19621710	RELAY - 230/50
0005	SC620167 25	RUN CAPACITOR
0006	SCEMB 2252345	CAPACITOR - 230/50/1
0007	SCCM 81455094	ICE THICKNESS SENSOR
0008	SCCM 19270501	HARVEST ASSIST SOLENOID
0009	SC0A039030 21	WATER LEVEL SENSOR
0009	SCCM 81455102	WATER LEVEL SENSOR HARNESS
0010	SC11000563 02	MAGNET
0011	SC11000563 06	MAGNET SWITCH
0012	SCCM 33580101	CONDENSER SENSOR
0013	SCCM 33580250	CONTROLLER
0013	SCCM 81453574	2 POLES CONNECTOR
0013	SCCM 81453826	4 POLES CONNECTOR
0013	SCCM 81453827	5 POLES CONNECTOR
0013	SCCM 81453828	3 POLES CONNECTOR