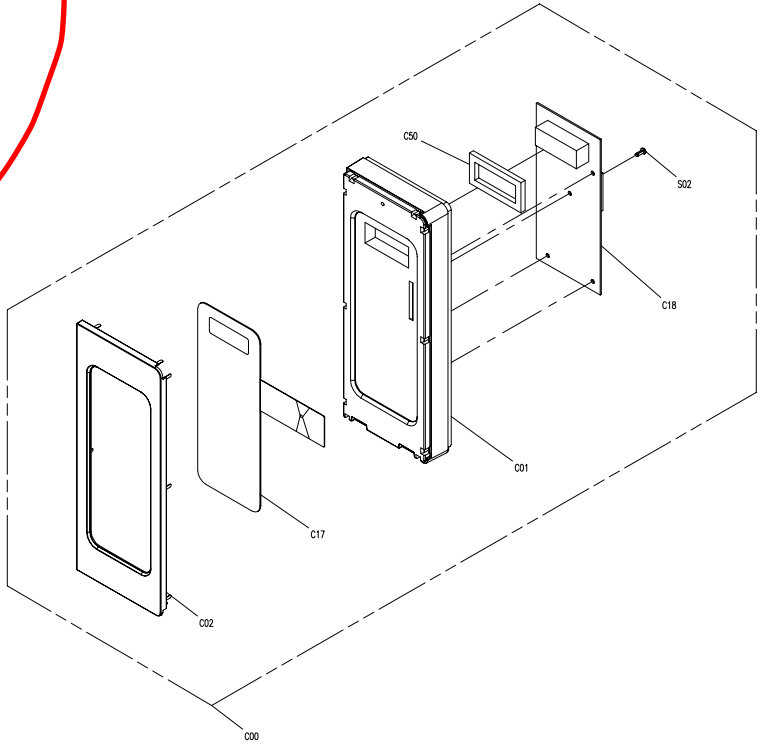
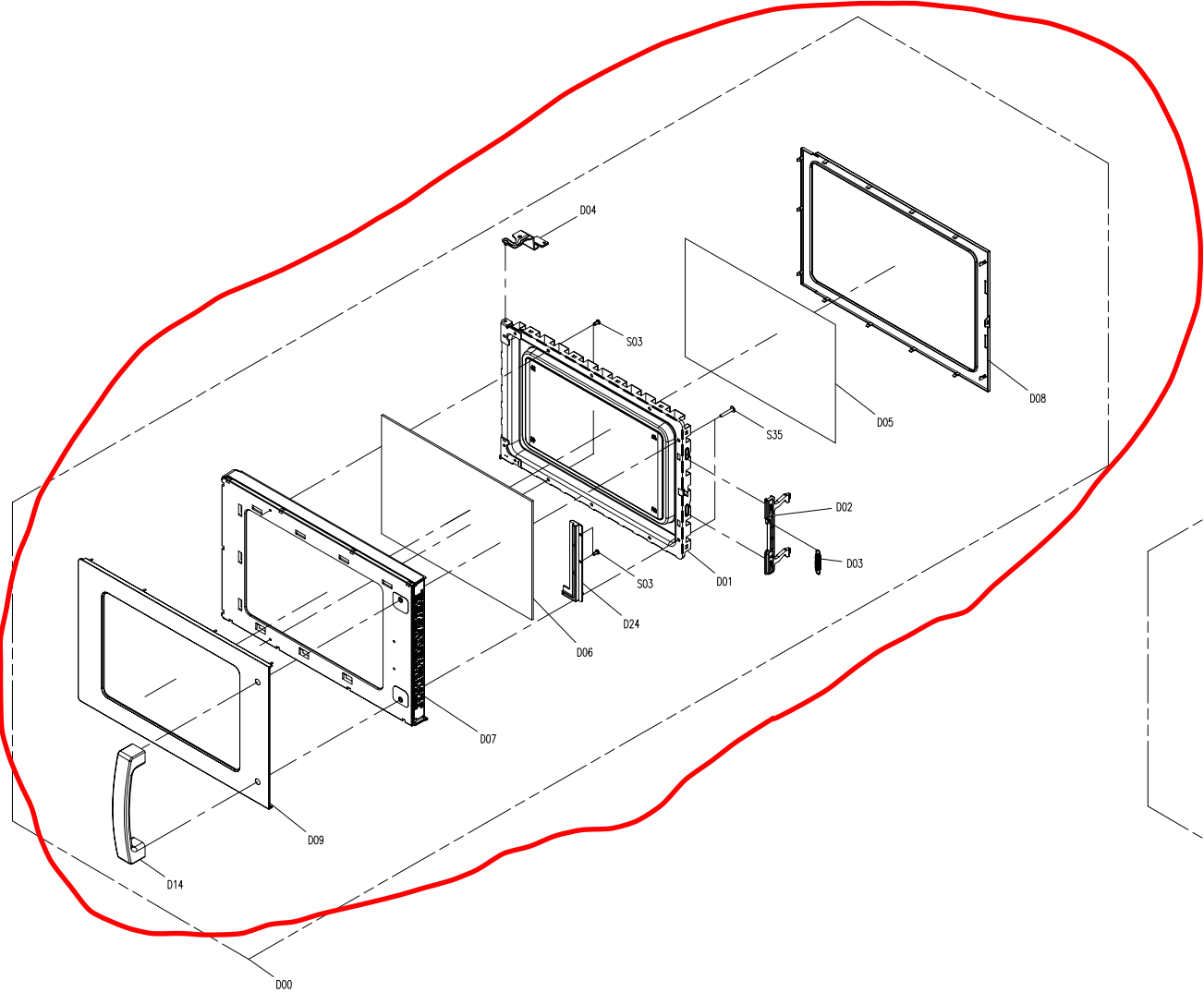
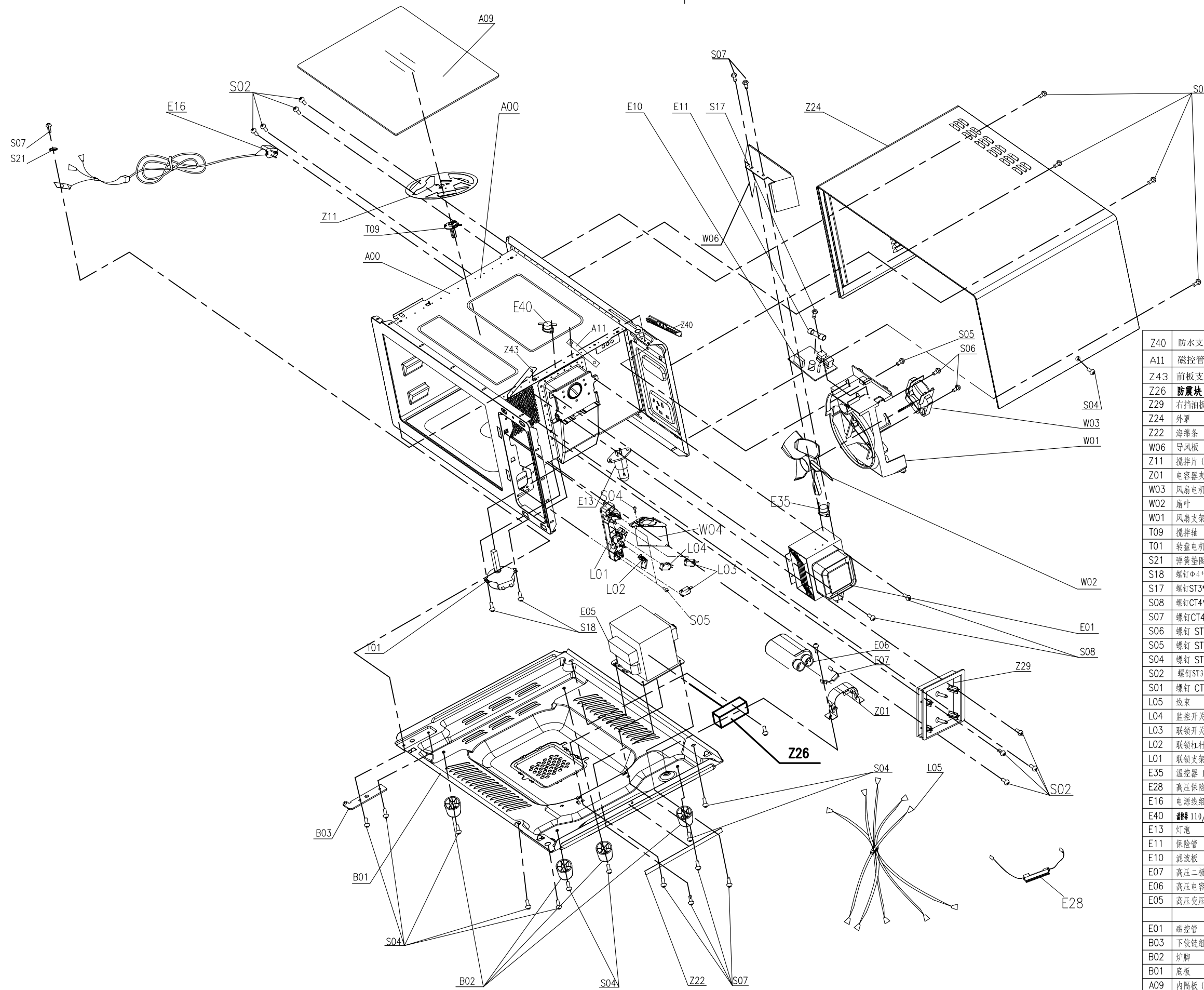


R69325N



S35	螺丝规格M4x30PBHC	SCREW ST4x30PBHC	2				
S03	自攻螺丝ST4x8PBHC	SCREW ST4x8PBHC	4				
D24	玻璃压条	GLASS FIXTURE	1				
D14	把手	HANDLE	1				
D09	门圈装饰件	DOOR DECORATION	1				
D08	门封	DOOR GASKET	1				
D07	门板	DOOR PANEL	1				
D06	门板	DOOR SCREEN	1	S02	自攻螺丝ST3x8PBHC	SCREW ST3x8PBHC	5
D05	门板	DOOR INNER FILM	1	C50	密封胶	SEALING RING	1
D04	上铰链	UPPER HINGE	1	C18	电路板	PCB ASS'Y	1
D03	门钩弹簧	LATCH SPRING	1	C17	膜面开关	MEMBRANE SWITCH	1
D02	门钩	LATCH	1	C02	控制板装饰件	CONTROL PANEL DECORATION	1
D01	门圈总成	DOOR FRAME ASS'Y	1	C01	控制板	CONTROL PANEL	1
D00	门	DOOR	1	C00	控制板总成	CONTROL PANEL ASS'Y	1
No.	零件名称	Part Name	Qty.	No.	零件名称	Part Name	Qty.

产品型号
Model EM025FJT



Z40	防水支架	WATER SEALING BRACKET	1	
A11	磁控管支架	WAVE GUIDE BRACKET	1	
Z43	前板支架	FRONT PLATE BRACKET	1	
Z26	防震块	RUBBER NOISE	2	
Z29	右挡油板	GUARD OIL*R	1	
Z24	外罩	CASE OUT	1	
Z22	海绵条	SPONGE	1	
W06	导风板	DAMPER	1	
Z11	搅拌片(无转盘)	FAN STIRRER	1	
Z01	电容器夹	HOLDER H.V.C	1	
W03	风扇电机	MOTOR FAN	1	
W02	扇叶	FAN	1	
W01	风扇支架	GUIDE FAN	1	
T09	搅拌轴	SHAFT STIRRER	1	
T01	转盘电机	MOTOR TRAY	1	
S21	弹簧垫圈 $\phi 4.1$	SPRING WASHER $\phi 4.1$	1	
S18	螺钉 $\phi 4.1 \times 6$	Screw $\phi 4.1 \times 6$	2	
S17	螺钉ST3*10PWTHC	Screw ST3*10PWTHC	1	
S08	螺钉CT4*10HwBHC(齿)	Screw CT4*8TBHC	2	
S07	螺钉CT4*8TBHC(齿)	Screw CT4*8TBHC	8	
S06	螺钉 ST4*20TBHC	Screw ST4*20TBHC	2	
S05	螺钉 ST4*12PwBHC	Screw ST4*12PwBHC	3	
S04	螺钉 ST4*10TBHC	Screw ST4*10TBHC	15	
S02	螺钉ST3*8PBHC	Screw ST3*8PBHC	8	
S01	螺钉 CT3*8BBHC	Screw CT3*8BBHC	2	
L05	线束	HARNESS MAIN	1	
L04	监控开关	MICROSWITCH MONITOR	1	
L03	联锁开关	MICROSWITCH INTERLOCK	2	
L02	联锁杠杆	LEVER SWITCH	1	
L01	联锁支架	BOARD LATCH	1	
E35	温控器 160/95 $\times V$	THERMOSTAT 160/95 *V	1	
E28	高压保险管组件	ASS'Y H.V FUSE	1	
E16	电源线组件	POWER CORD ASS'Y	1	
E40	温控器 110/70 $\times H$	Thermostat 110/70 *H	1	
E13	灯泡	LAMP	1	
E11	保险管	FUSE	1	
E10	滤波板	FILTER NOISE	1	
E07	高压二极管	H.V.DIODE	1	
E06	高压电容	H.V.CAPACITOR	1	
E05	高压变压器	H.V.TRANSFORMER	1	
E01	磁控管	MAGNETRON	1	
B03	下铰链组件	ASS'Y BRKT HINGE *U	1	
B02	炉脚	LEG	4	
B01	底板	BASE PLATE	1	
A09	内隔板(无转盘用)	PRANT COVER *I	1	
A01	波导盖	COVER WAVE GUIDE	1	
A00	腔体组件	ASS'Y CAVITY	1	
W04	进风导风罩	Guide Wind	1	
No.	零部件名称	part name	Quantity	Material or spec

The exploded drawing for
EM025FTR-S0SA