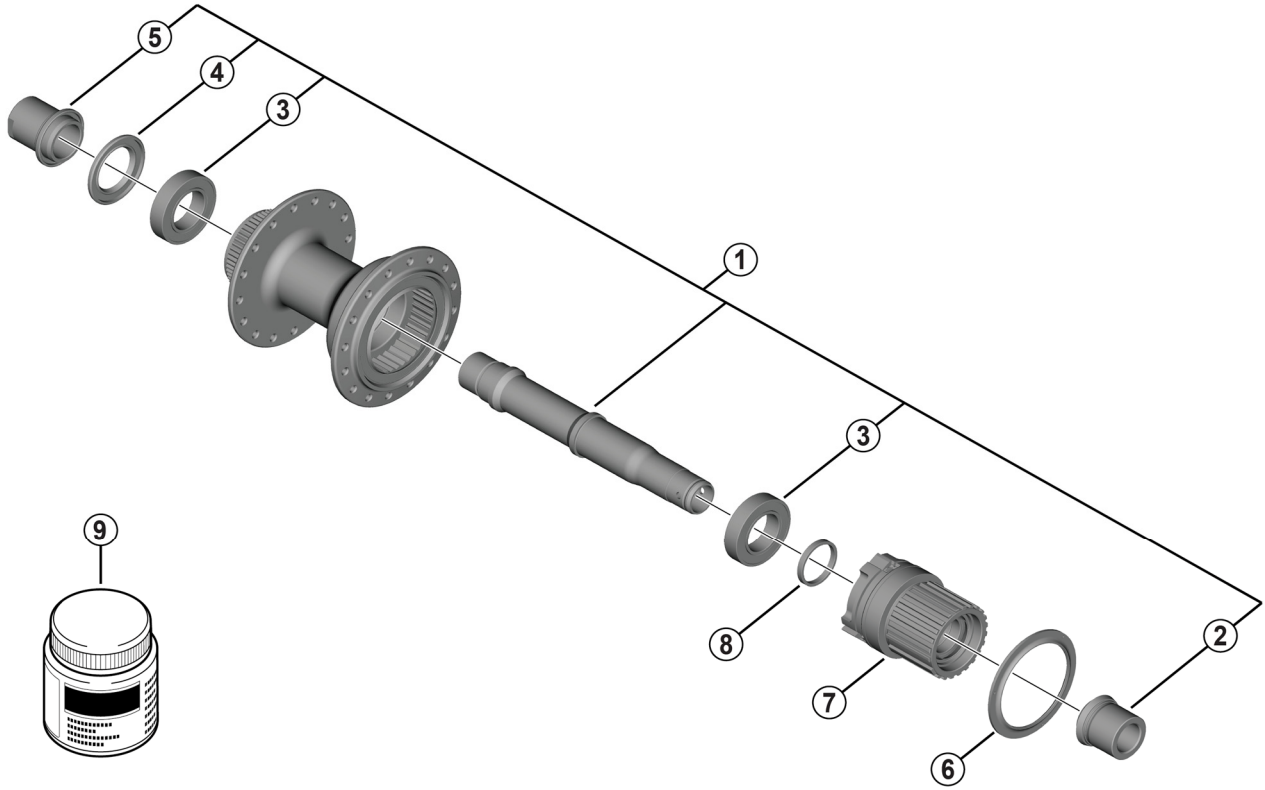


FREEHUB (For Disc Brake)

**FH-TC600-MS-B** 12-speed

**FH-TC600-HM-B** 11/10/9/8-speed



• O.L.D. 148 mm

ITEM NO.	SHIMANO CODE NO.	DESCRIPTION	INTERCHANGEABILITY	
			FH-MT410	FH-TC500
1	Y3K398010	Complete hub axle		
2	Y3HV98020	Right cap	A	A
3	Y3HV48000	Sealed cartridge bearing (17 x 30 x 7)	A	
4	Y26D10000	Seal ring	A	A
5	Y3HV98030	Left-hand lock nut	A	
6	Y3GD10000	Outer seal cap	A	
7	Y3K298010	Freewheel body unit (MICRO SPLINE)		
	Y3K398020	Freewheel body unit (HG spline M)		
8	Y3K39801T	Bush		
9	Y3B980000	Grease for freehub 50 g	A	A

A: Same parts.

B: Parts are usable, but differ in materials, appearance, finish, size, etc.

Absence of mark indicates non-interchangeability.

Specifications are subject to change without notice.

Mar.-2023-4942

© Shimano Inc. |

**SHIMANO**



quefairedemesdechets.fr