



II 2G Ex eb mb IIC T4 Gb
II 2D Ex tb IIC T(95°C) Db

“

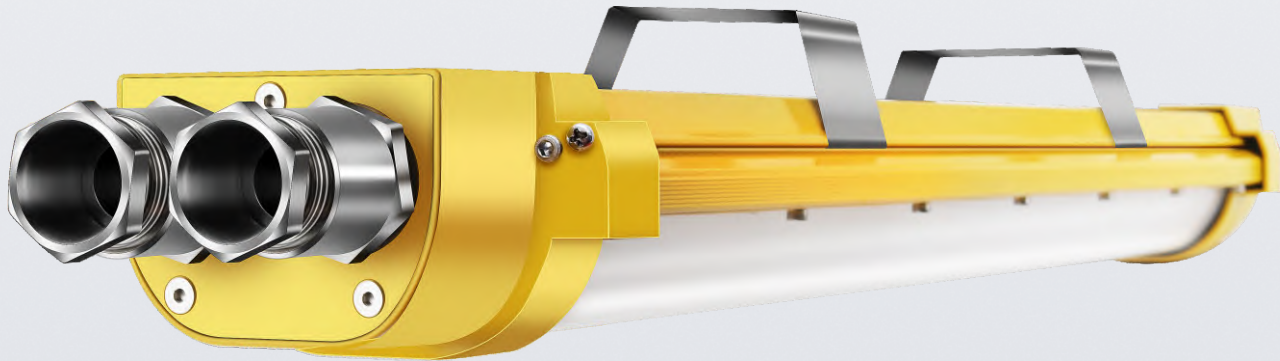
With Atex certified, our explosion proof light can be widely used for applications of flammable and explosive chemical materials. Bridgelux led and specially designed driver are used to guarantee safety and long lifetime.

”





II 2G Ex eb mb IIC T4 Gb
II 2D Ex tb IIIC T(95°C) Db

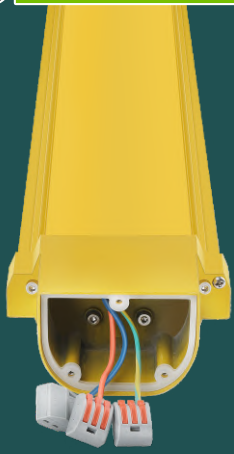


With ATEX certified, our explosion proof light fixture can be widely used for place of flammable and explosive chemical materials. Bridgelux brand led and specially designed high quality driver are used to guarantee safety and long lifespan. With 120lm/w high efficiency, our 40w can replace 120w traditional fixture. We give 5 years warranty

120LM/W

Bridgelux led is used to reach
120lm/w



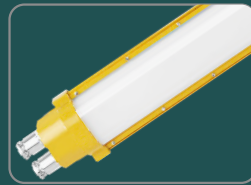
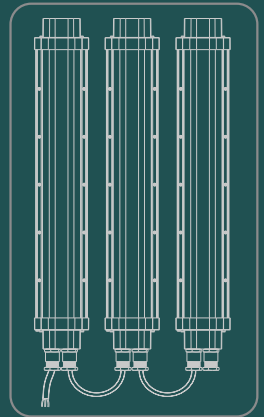
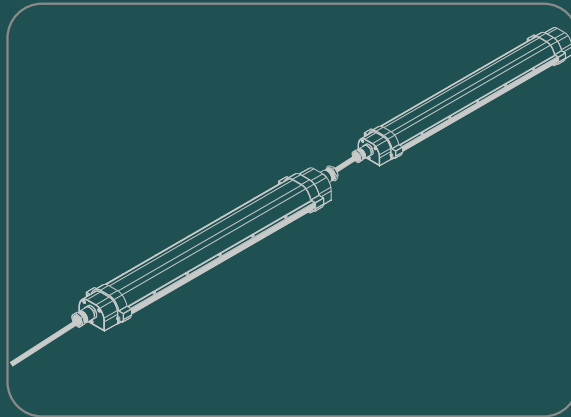
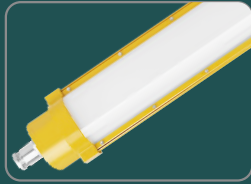


Wago
connectors
Easy Rewiring
Cost Saving

Linkable in Series



Each fixture has end cap with one gland and two glands for options. It can be open very easily. With 3x2.5mm² wire through, it is linkable in series



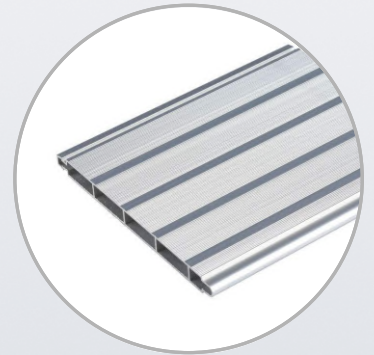
More Than Good



Bridgelux LED



Explosion Proof Driver



Aluminum heatsink

Application

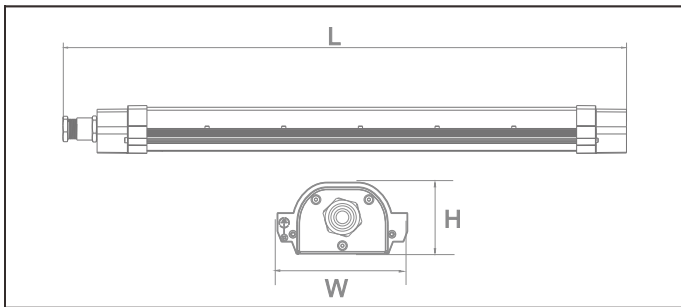
Applied to oil fields, oil refineries, offshore oil platform, power plants, gas stations, oil tanks, wharf, tunnel, pumping station, substation, the military base, etc. Zone I and Zone II Hazardous Locations, Zone 20, Zone 21, Zone 22 and II A, IIB, IIC explosive gas atmosphere.

Zone 1 Zone 2
Zone 21 Zone 22



Features

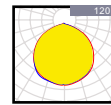
Housing: Pure Aluminum A6063
 Thermal Conductivity: 226 W/m·K
 Led: Bridgelux
 CRI: Ra>80
 SDCM: <6
 Power Factor: >0.95
 THD: <15
 Driver: Explosion Proof Driver
 Driver Efficiency: >92%
 Protection: OTP, OCP, OVP, SCP
 Surge Protection: 4KV
 Waterproof: IP65
 Impact Test: IK10
 Corrosion Proof: WF2
 Electrical: 220-240V, 50/60Hz
 Operating Temperature: -25~45°C
 TM21: L90B10>50,000H
 Lifetime: 50,000H



Functions

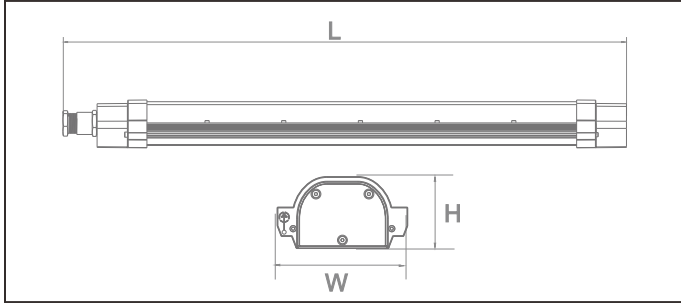
ZigBee · PWM · DALI · 0/1~10V

Optical options:



| Model | Watt | Voltage | Lumen | CRI | IP | Dimension |
|--------------|------|----------|--------|-----|------|------------------|
| TB020SE2E-BG | 20W | 220~240V | 2400LM | >80 | IP65 | L735*W115*H63MM |
| TB040SE2E-BG | 40W | 220~240V | 4800LM | >80 | IP65 | L735*W115*H63MM |
| TB040SE4E-BG | 40W | 220~240V | 4800LM | >80 | IP65 | L1335*W115*H63MM |
| TB060SE4E-BG | 60W | 220~240V | 7200LM | >80 | IP65 | L1335*W115*H63MM |
| TB080SE4E-BG | 80W | 220~240V | 9600LM | >80 | IP65 | L1335*W115*H63MM |

Packing



| Model | L*W*H (mm) | Inner Carton(mm) | | | QTY / INNER CTN | Outer Carton(mm) | | | QTY / Outer CTN | NW/CTN | GW/CTN |
|--------------|---------------|------------------|---|---|--------------------|------------------|-----|-----|--------------------|--------|--------|
| TB020SE2E-BG | 735*115*63 | / | / | / | / | 900 | 160 | 115 | 1 | 2.60 | 3.30 |
| TB040SE2E-BG | 735*115*63 | / | / | / | / | 900 | 160 | 115 | 1 | 2.60 | 3.30 |
| TB040SE4E-BG | 1335*115*63 | / | / | / | / | 1500 | 160 | 115 | 1 | 4.00 | 4.70 |
| TB060SE4E-BG | 1335*115*63 | / | / | / | / | 1500 | 160 | 115 | 1 | 4.00 | 4.70 |
| TB080SE4E-BG | 1335*115*63 | / | / | / | / | 1500 | 160 | 115 | 1 | 4.10 | 4.80 |