

Starting Block Malmsten PRO with Track Start

Art. No. 2011003

A well designed starting block which provides good stability and functionality.

The internationally renowned Malmsten Starting Block is used all over the world and is truly appreciated by not only swimmers but also coaches.

It is easy to climb up on, offers an effective anti-slip surface and is accessible from the sides.

The starting block is made in accordance with EN-standards and FINA norms for starting blocks, as long as these guidelines for pool depth, pool edge and safety are being followed and installation instructions are respected.

Features:

- Stable with effective anti-slip surface
- Stainless steel 316L – protective anti-corrosion paint
- Complete with Track Start
- Can be combined with an Open Face Platform



Colors and Dimensions

Standard Height: 400mm

Alternative heights can be ordered, 350 or 300mm

Top Dimensions: 500x700mm

Color: Blue (standard)

Alternate colors can be ordered (at additional cost)



Selected When it Counts

Starting Block including top and base

- Height is usually 400mm. Alternatives can nevertheless be ordered, 350 or 300mm
- Suitable for elevated pool edge or Open Face Platform, art. No. 2011004*
- Suitable for pool edge width of minimum 550mm. For pool edge of 300-550mm Starting Block Malmsten Classic with Track Start is recommended, art. No. 2011033
- Starting blocks are numbered 0-9 on all sides; please confirm preferred number(s) when placing the order

Top

- The top measures 500x700mm; Effective anti-slip surface is included
- The anti-slip surface is usually blue, but can be ordered in an alternative color (at an extra charge)
- Relay judging plate may be installed; max. size of 450x480mm

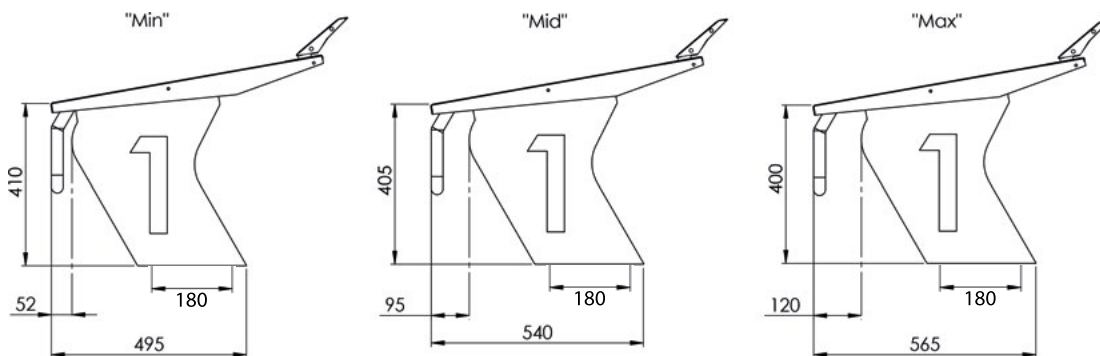
Track Start

- With 6 different positions

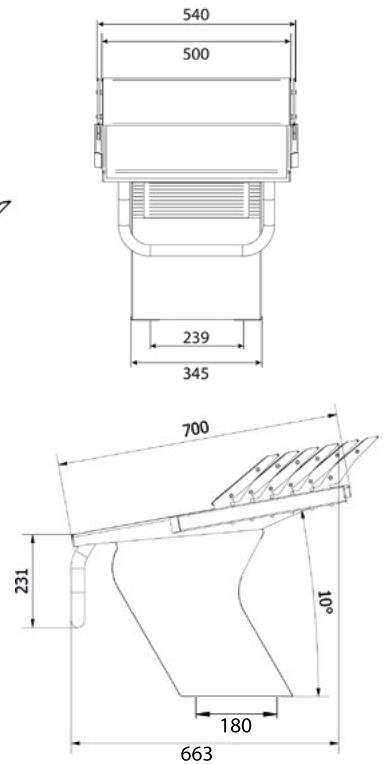
Base

- Has an opening where electronic equipment may be placed which can be used during competition
- If the base is placed on a tiled pool edge a protective plate is recommended, art. No. 2018007. Free of charge

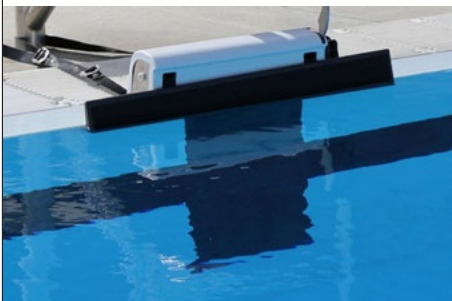
* sold separately



The top can be adjusted to fit the pool edge

**Track Start**

- | | |
|-------------------|-------------------|
| Position 1: 360mm | Position 4: 510mm |
| Position 2: 410mm | Position 5: 560mm |
| Position 3: 460mm | Position 6: 610mm |

Accessories Sold Separately**1910054 Backstroke Starting Device****2011004 Open Face Platform****2018010 Maintenance Kit for Stainless Steel**

Selected When it Counts