

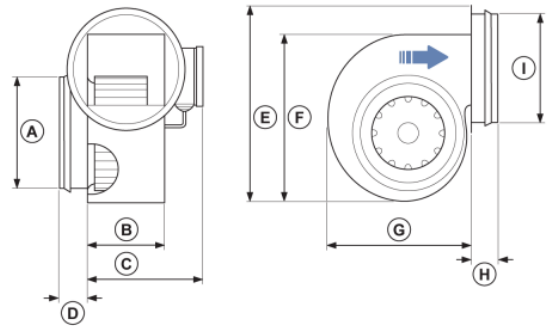
Centrifugal Fan CE 140L-125



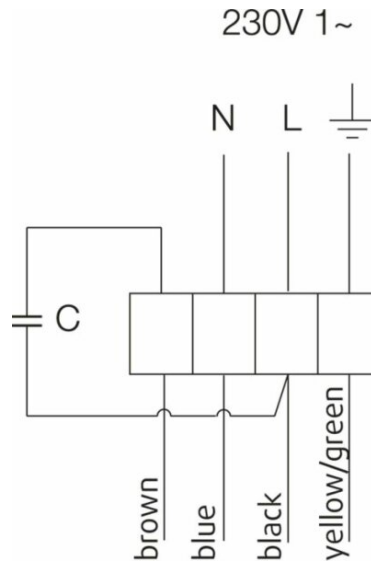
Technical parameters

Nominal data	
Voltage (nominal)	230 V
Frequency	50 Hz
Phases	1~
Input power	147 W
Input current	0.64 A
Impeller speed	2,459 rpm
Air flow	max 504 m ³ /h
Capacitance of capacitor	4 μF
Temperature of transported air	max 70 °C
Max temperature of transported air, when speed controlled	70 °C
Sound data	
Sound pressure level at 3m (20m ² Sabin)	44 dB(A)
Protection/Classification	
Enclosure class, motor	IP44
Insulation class	B
Data according to ErP	
Energy class, Basic unit	F
Energy class, Local demand	C
ErP ready	ErP 2016; ErP 2018
Dimensions and weights	
Duct dimension; Circular, inlet	125 mm
Duct dimension; Circular, outlet	125 mm
Weight	3.5 kg
Others	
Duct connection type	Circular
Motor type	AC

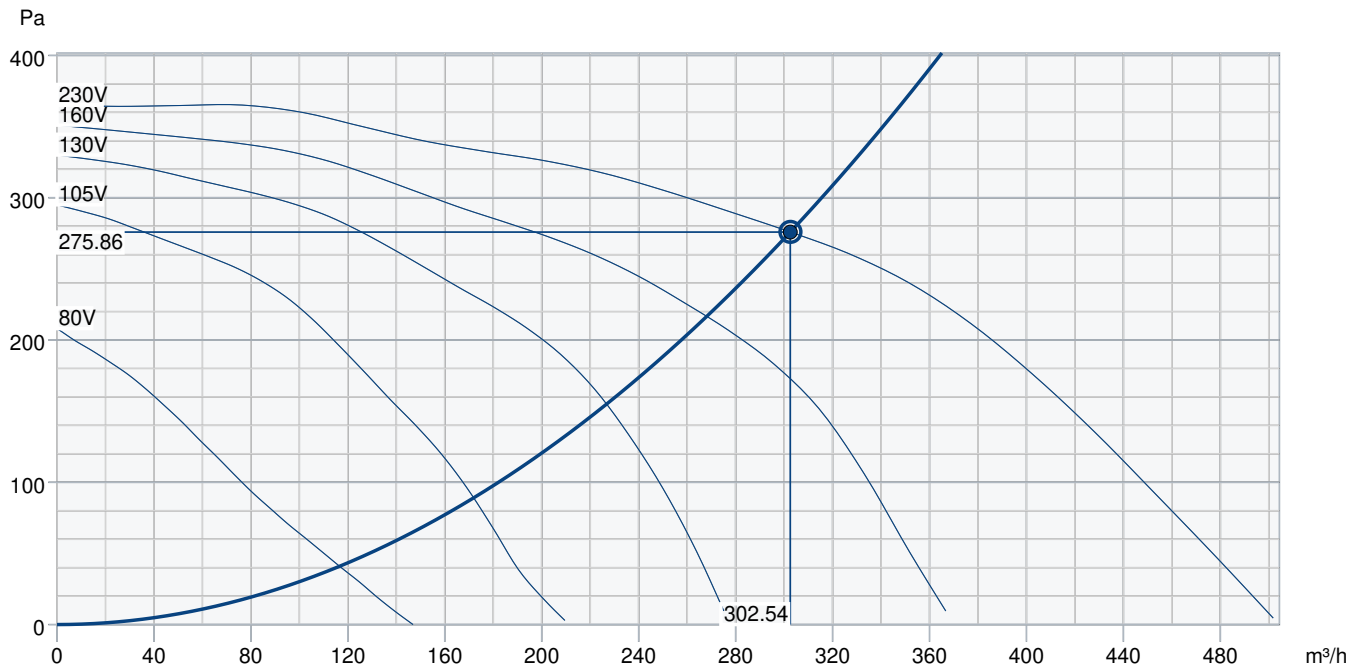
Dimension



Wiring



Performance curve



Hydraulic data

Required air flow	303 m³/h
Required static pressure	276 Pa
Working air flow	303 m³/h
Working static pressure	276 Pa
Air density	1.204 kg/m³
Power	0.11 kW
Fan control - RPM	2,704 rpm
Current	0.50 A
SFP	1.289 kW/m³/s
Control voltage	230.0 V
Supply voltage	230 V

Sound power level		63	125	250	500	1k	2k	4k	8k	Total
Inlet	dB(A)	66	67	70	66	64	61	59	53	74
Outlet	dB(A)	61	66	70	68	68	64	60	56	75
Surrounding	dB(A)	36	39	32	45	48	43	40	34	51
Sound pressure level at 5m (20m Sabine)	dB(A)	-	-	-	-	-	-	-	-	30