

Fume Eliminator 840/841





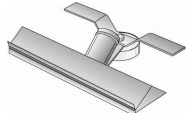
Fume Eliminator 840/841 is a small, lightweight, portable extraction unit designed to be carried to the working area. Connected to a welding torch or to an extraction nozzle, the FE 840/841 unit extracts the fume directly at source.

FE 840 has a manual start/stop function. FE841 has an automatic start/stop function which starts the unit as soon as the welding begins. It also includes an indicator for filter exchange.

- Manual or automatic start/stop function
- Portable and easy to carry
- Low service costs



Accessories

Description		Part no.
Nozzle TM 80, length 500 mm, Ø80 mm		70851000
Nozzle TM 200, length 570 mm, slot width 200 mm, slot height 30 mm		70854000
Nozzle PM 300, slot width 300 mm, slot height 5 mm		70853000
Hose, Ø45 mm, 5 metres		70400026
Hose, Ø45 mm, 15 metres		70400028

Technical Data

Description	Voltage, V / electrical plug	Power, W	Frequency, Hz	Airflow with 2.5 m hose, m³/h	Filtration efficiency, %	Max. vacuum, kPa	Noise level, dB(A)	Length, mm	Width, mm	Height, mm	Weight, kg	Part no.	Outlet
FE 840 Manual start/stop	230/EUR	1000	50/60	150	99.7	22	73	830	230	410	16	70840000	1*
FE 840 Manual start/stop	230/EUR	1000	50/60	150	99.7	22	73	830	230	410	16	70840443	2*
FE 840 Manual start/stop	120/UK	1000	50/60	150	99.7	22	73	830	230	410	16	70840100	1*
FE 840 Manual start/stop	240/UK	1000	50/60	150	99.7	22	73	830	230	410	16	70840442	1*
FE841 Auto start/stop	230/EUR	1000	50/60	150	99.7	22	73	830	230	410	16	70841000	1*
FE841 Auto start/stop	230/EUR	1000	50/60	150	99.7	22	73	830	230	410	16	70841126	2*
FE841 Auto start/stop	120/UK	1000	50/60	150	99.7	22	73	830	230	410	16	70841100	1*
FE 841 Auto start/stop	240/UK	1000	50/60	150	99.7	22	73	830	230	410	16	70841010	1*

1* Perforated sheet metal
2* Hose connection

Product availability may differ by country.