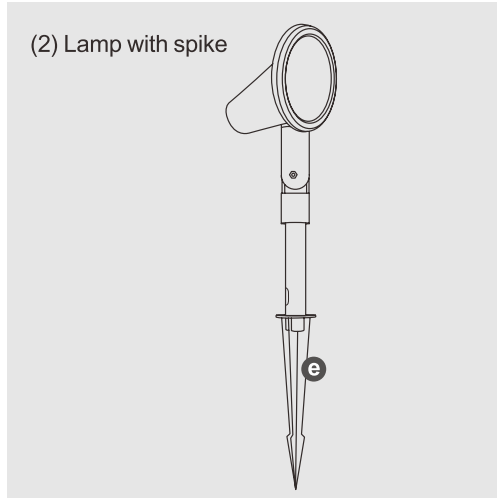
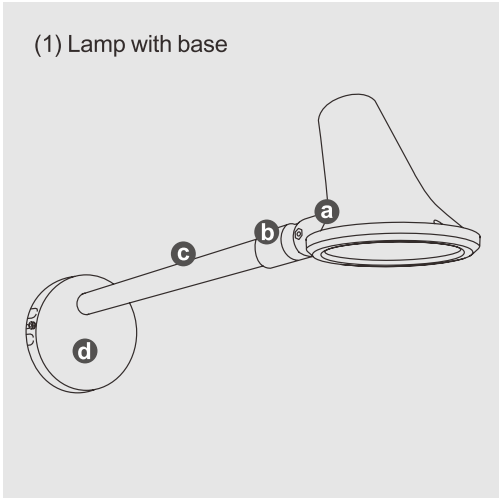


INSTALLATION INSTRUCTION

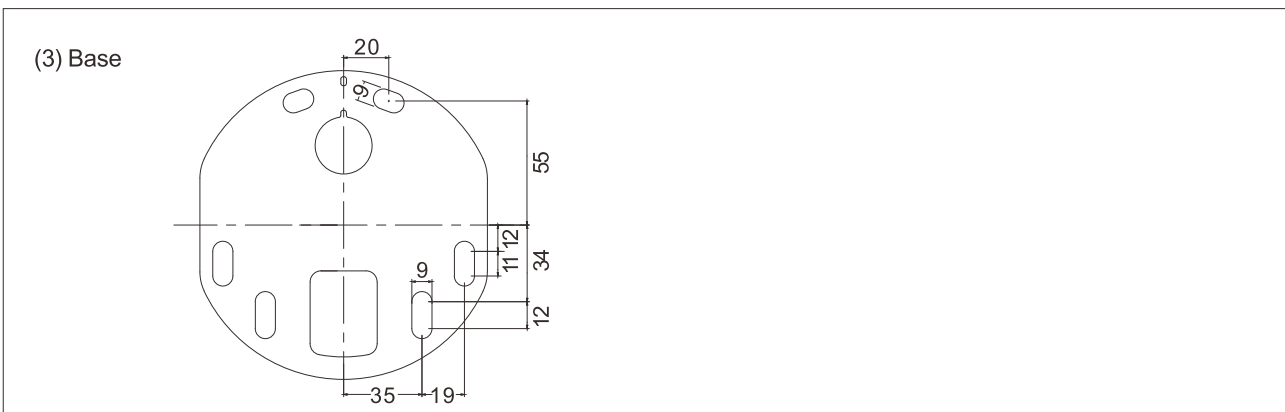
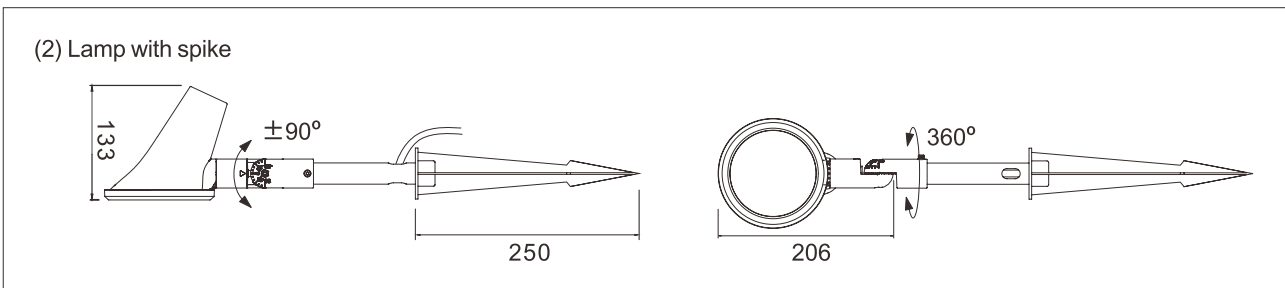
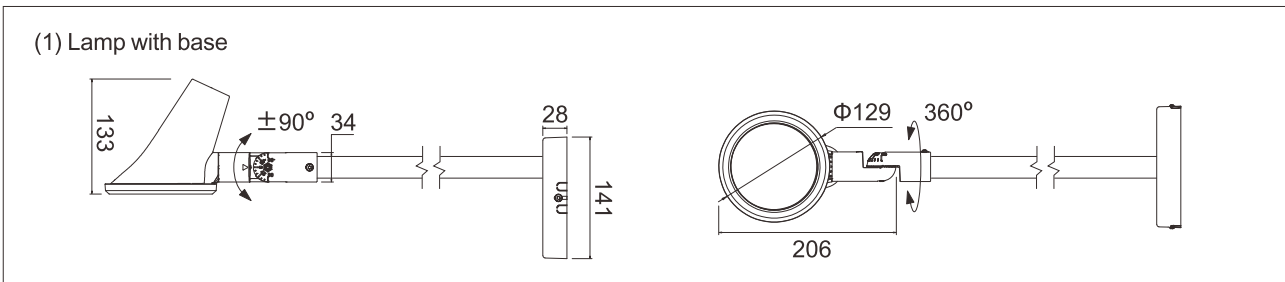


- a** Lamp
- b** Spigot with angle adjustment
- c** Arm
- d** Base
- e** Spike



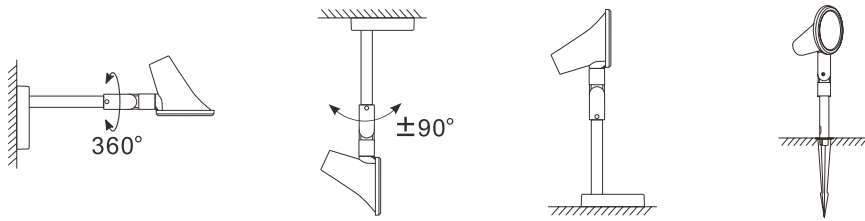
1. Dimensions (Unit: mm)

Please confirm the length of arm before placing orders.



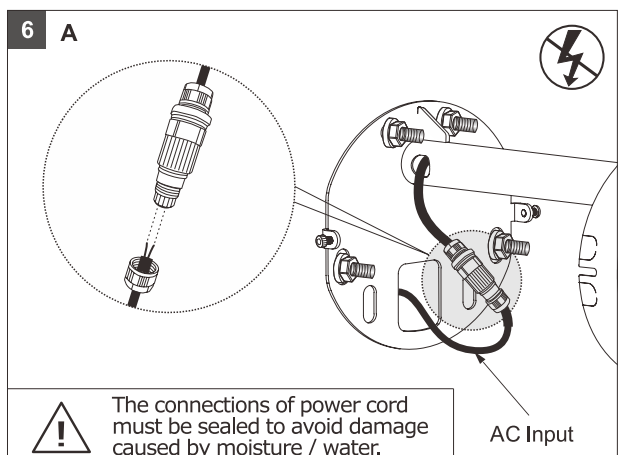
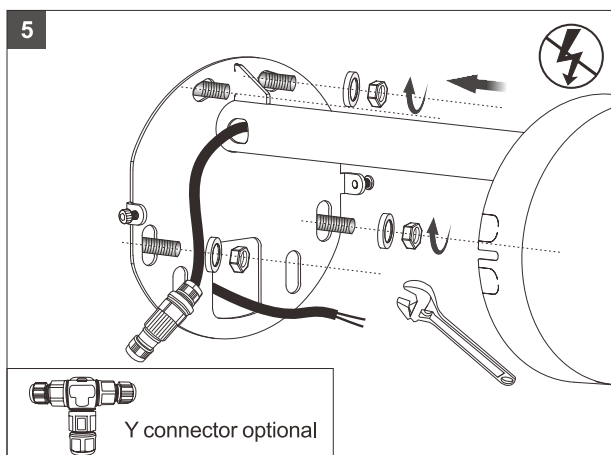
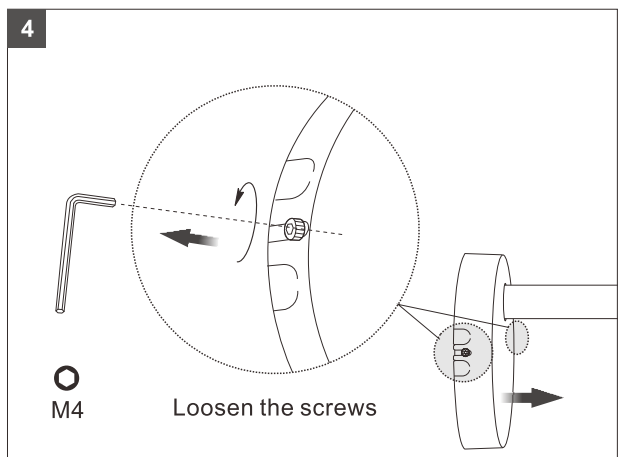
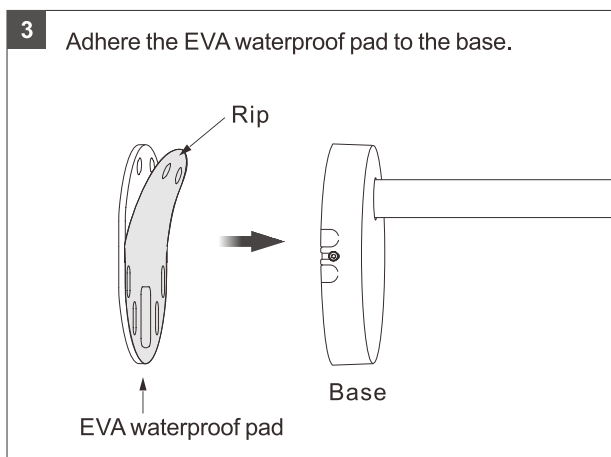
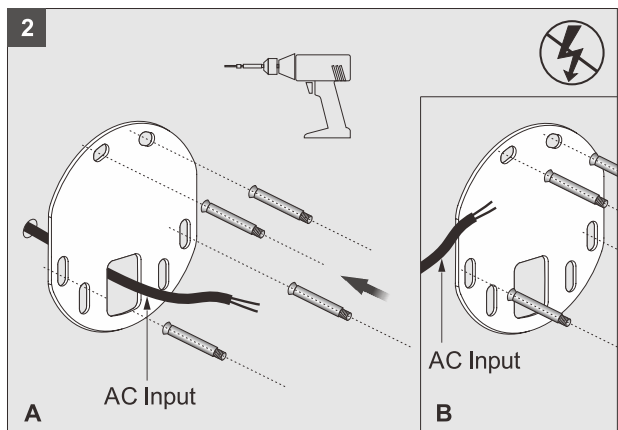
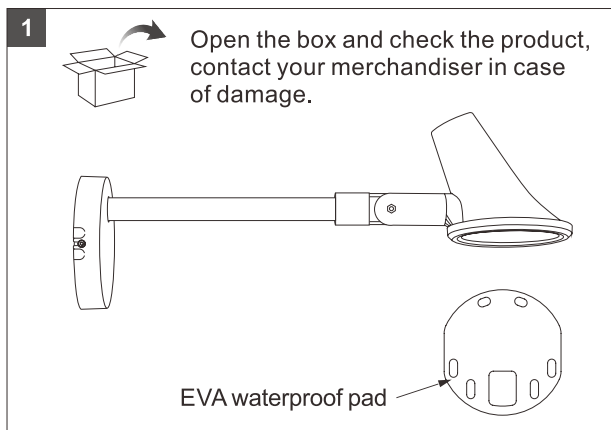
2. Installation position

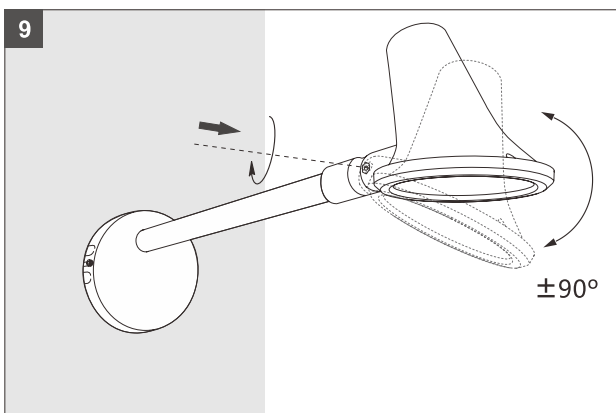
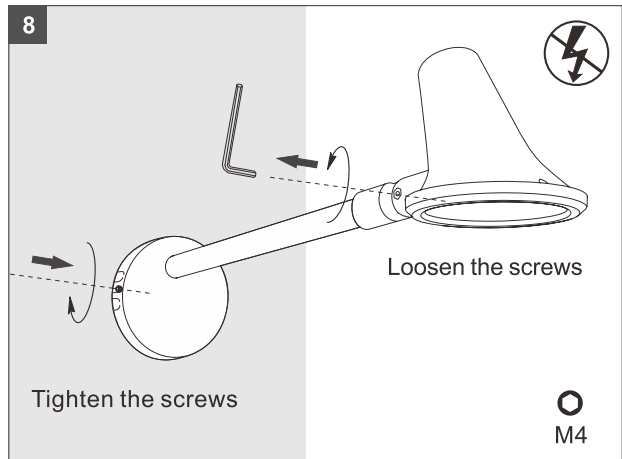
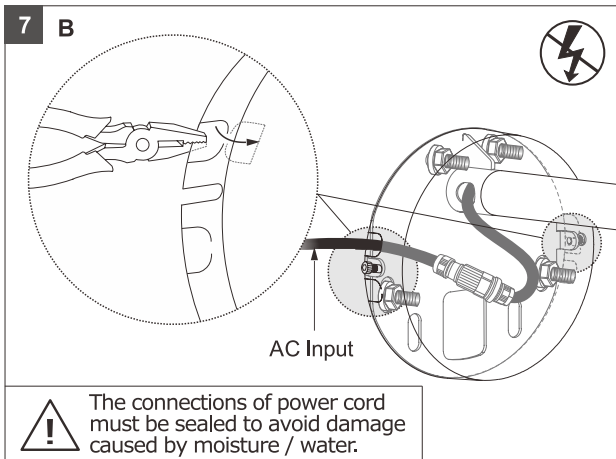
Floodlight can be installed on the wall, ceiling or on a horizontal surface.



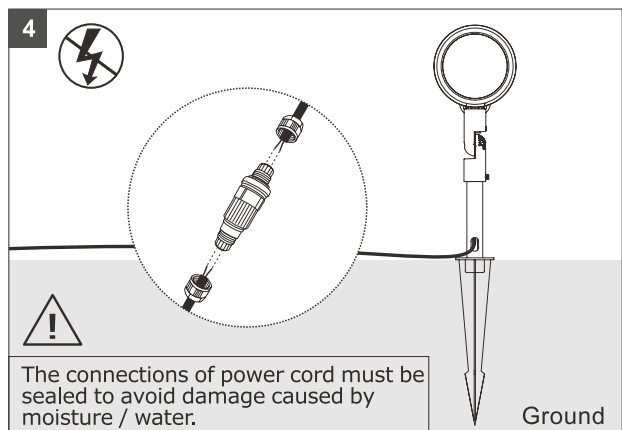
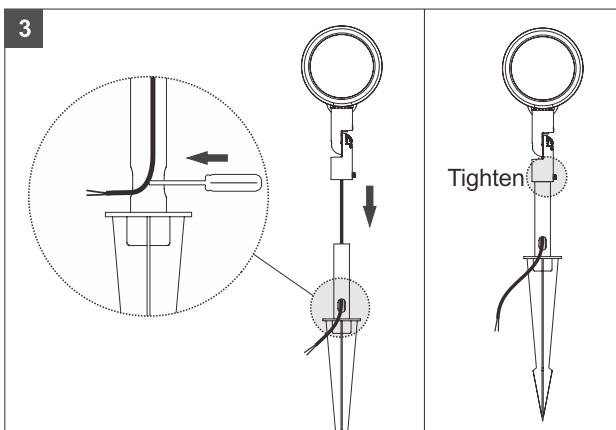
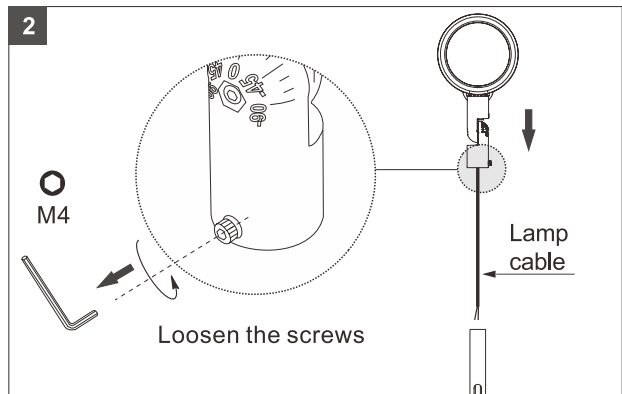
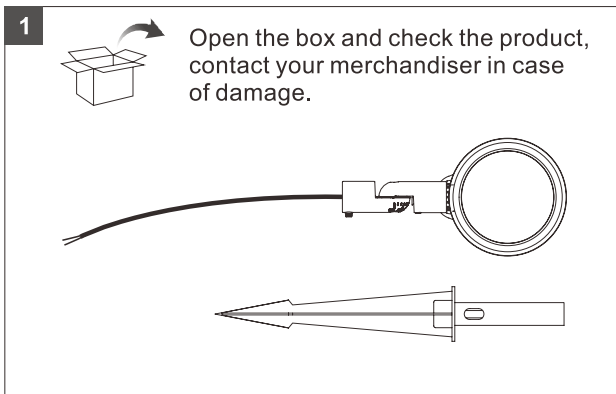
3. Installation Steps

(1) Lamp with base

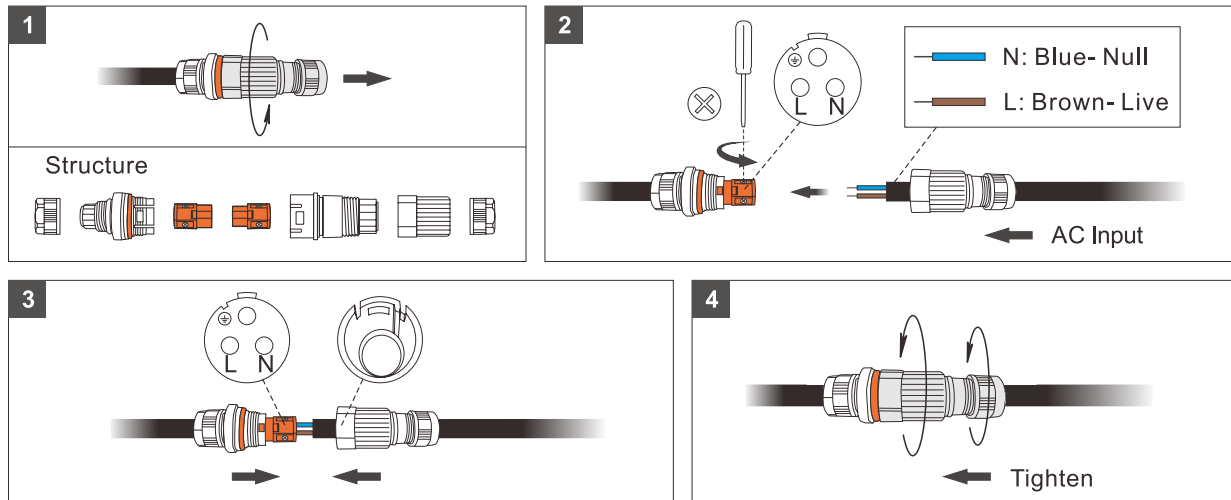




(2) Lamp with spike

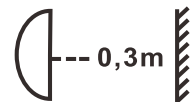


(3) Cable gland



4. Caution:

1. Terminal block not included. Installation and maintenance must be performed by qualified person.
2. The light source of this luminaire is not replaceable; when the light source reaches its end of life the whole luminaire shall be replaced.
3. If the external flexible cable or cord of this luminaire is damaged, it shall be exclusively replaced by the manufacturer or his service agent or a similar qualified person in order to avoid a hazard.
4. Please make sure the lamp is working with correct input voltage.
5. Do not use chemicals or corrosive cleaner to clean the fixture.
6. The minimum distance from lighted objects to luminaries shall be kept at least 0.3m.
7. Broken Glass must be replaced by certified technician.



5. Utilization of used lamps

LED lamps must be disposed of in accordance with current regulations concerning environmental protection. Used lamps should be returned to the applicable collection point, where they will be accepted free of charge. Proper utilization of equipment enables preserving valuable environmental resources and avoiding adverse impacts on health and the environment, which may be threatened by inappropriate waste handling.

