

# Customer Information



Copyright © All rights reserved

Subject to change without notice. Errors and omissions excepted.

Printed by MO.SCHULZ at 03:40:45 EST 25.10.2019

SP\_SSL\_LEDDL109-WD 12/24V Cust. Info

RL 2019-09-26

9C1 3980878-EN-00

SP\_SSL\_LEDDL103-SP 35W 12/24V Cust. Info

Released  
ECM

SP SSL&EL München 700  
Johannes Bojahr AMW

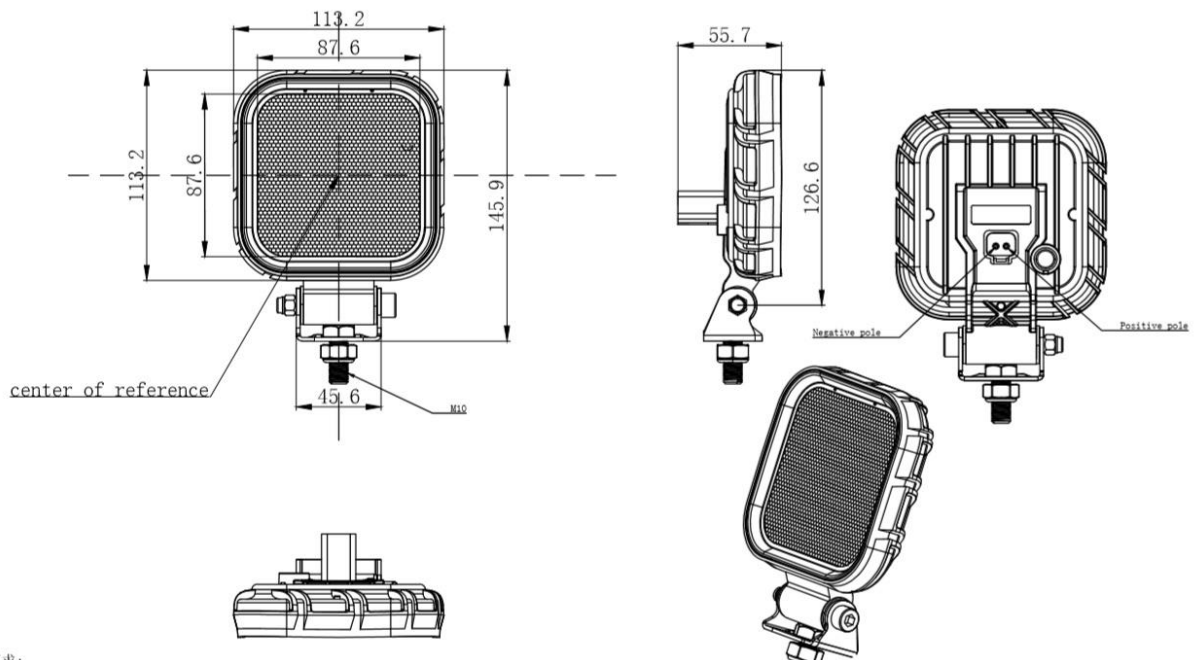
Template: ZOT 10000028

External no.:

Page 1 of 3

OSRAM GmbH: Chairman of the Supervisory Board: Peter Bauer; Managing Directors: Dr. Olaf Berlien (Chairman), Ingo Bank, Dr. Stefan Kampmann;  
Registered office: Munich; Commercial registry: Munich, HRB 201526; WEEE-Reg.-No. DE 71568000

## Reversing VX120S-WD– Customer Information Sheet LEDDL109-WD 12/24V



图说:

#OSRAM OLQ(V)  
#700 #J .BOJAHR  
#AMW #SP\_SSL\_LEDDL109-WD 12/24V Cust. Info  
#RL-Released  
#9C1 3980878-EN-00  
2019-09-26

SP\_SSL\_LEDDL109-WD 12/24V Cust. Info

RL 2019-09-26

9C1 3980878-EN-00

SP\_SSL\_LEDDL103-SP 35W 12/24V Cust. Info

Released  
ECM

SP SSL&EL München 700  
Johannes Bojahr AMW

Template: ZOT 10000028

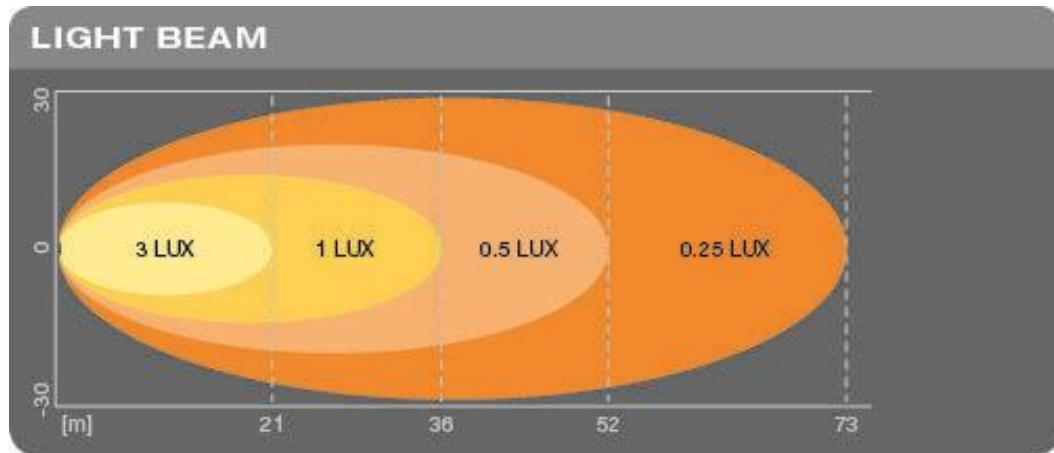
External no.:

Page 2 of 3

OSRAM GmbH: Chairman of the Supervisory Board: Peter Bauer; Managing Directors: Dr. Olaf Berlien (Chairman), Ingo Bank, Dr. Stefan Kampmann;  
Registered office: Munich; Commercial registry: Munich, HRB 201526; WEEE-Reg.-No. DE 71568000

General tolerances in accordance with ISO 2768-v (Allgemeine Toleranzen nach ISO 2768-v)

## Light distribution (Lichtverteilung)



## Packaging content (Verpackungsinhalt)

No.	Part Name	Description	Qty
1	Driving Light - Rectangular	Housing: Thermal plastic	1
2	Mounting Bracket	Stainless Steel	1
3	M10x25 Hexagon Head Cap Screw	Stainless Steel	1
4	M10 Nut	Stainless Steel	1
5	M10 Spring Washer	Stainless Steel	1
6	M10 Plain Washer	Stainless Steel	1
7	M8*55 Hexagon Socket Head Cap Screw	Stainless Steel	1
8	M8 Plastic Spacer	Plastic	2
9	M8 Spring Washer	Stainless Steel	1
10	M8 Self-locking Nut	Stainless Steel	1
11	User Manual		1

## Standards and regulations (Normen und Vorschriften)

EMC/EMI	ECE R10
IP Class	IP69K
ECE	ECE R10, R23
Other legal requirements	SAE

## Electrical and photometrical data (Elektrische und lichttechnische Daten)

Characteristics (Messwert)	Symbol	Unit (Einheit)	Major / Minor	Tolerance (Toleranz) [%]
Voltage (Spannung)	U	V	12/24V	9V-36V
Wattage (Leistung) @25°C	P	W	15W	±10%
Steady State luminous flux (Lichtstrom) (30min. @25°C & 13,2V Goniometer: Vertical &	Φ	lm	1100lm	±10%

#OSRAM 0LQ(V)  
#700 #J .BOJAHR  
#  
#SP\_SSL\_LEDDL109-WD 12/24V Cust. Info  
#AMW  
2019-09-26  
#RL-Released  
9C1 3980878-EN-00

# Customer Information



Copyright © All rights reserved

Subject to change without notice. Errors and omissions excepted.

Printed by MO.SCHULZ at 03:40:45 EST 25.10.2019

**SP\_SSL\_LEDDL109-WD 12/24V Cust. Info**

**RL 2019-09-26**

**9C1 3980878-EN-00**

SP\_SSL\_LEDDL103-SP 35W 12/24V Cust. Info

Released  
ECM

SP SSL&EL München 700  
Johannes Bojahr AMW

Template: ZOT 10000028

External no.:

Page 3 of 3

OSRAM GmbH: Chairman of the Supervisory Board: Peter Bauer; Managing Directors: Dr. Olaf Berlien (Chairman), Ingo Bank, Dr. Stefan Kampmann;  
Registered office: Munich; Commercial registry: Munich, HRB 201526; WEEE-Reg.-No. DE 71568000

horizontal : ±90°				
-------------------	--	--	--	--

## Life time (Lebensdauer)

Test (Prüfung)			
Life time average (@25°C)	T <sub>c</sub>	h	5.000

## Further specifications (Weitere Spezifikationen)

Test (Prüfung)	Rated value (Sollwert)	Test specification (Norm)
Color temperature (Farbtemperatur)	Cold White (6000K)	+/- 500K
Ambient Temperature range (T <sub>a</sub> )	25°C	-40°C~+65°C
Storage Temperature range (T <sub>s</sub> )	25°C	-40°C~+85°C
Light distance @1lx	≥36m	
Number of LED's	13	
Weight (light + application material)	375g	±20g
Connector	2 PIN Deutsch Connector	
Wire length	No wire connected	
Polarity	Polarity Protection	

## Process of manufacturing (Fertigungsprozess)

This product is designed and manufactured for the Automotive Aftermarket. Please consider the product specification to match the customer requirements. Dieses Produkt wurde für den Aftermarket entwickelt und produziert. Es ist unabdingbar, die Produktspezifikation mit den Kundenanforderungen abzugleichen.

## Successive listing of changes (Änderungsfortschreibung)

Issue (Ausgabe):	Reason for change (Änderungsgrund):
25.09.2019	First Version

#OSRAM OLQ(V)  
#700 #J .BOJAHR  
#  
#AMW #SP\_SSL\_LEDDL109-WD 12/24V Cust. Info  
#RL-Released  
2019-09-26  
9C1 3980878-EN-00