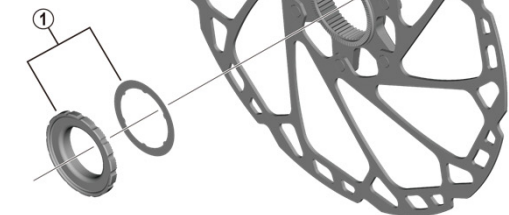


Disc Brake Rotor

SM-RT64-LL SM-RT66-LL

SM-MA-F220P/PM SM-MA-F220P/PL SM-MA-F220P/PL2

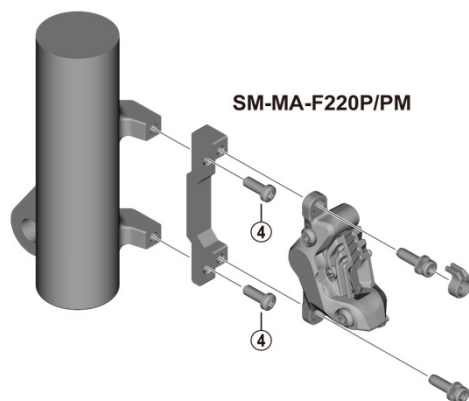
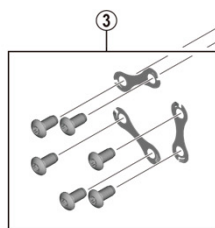
SM-RT64-LL



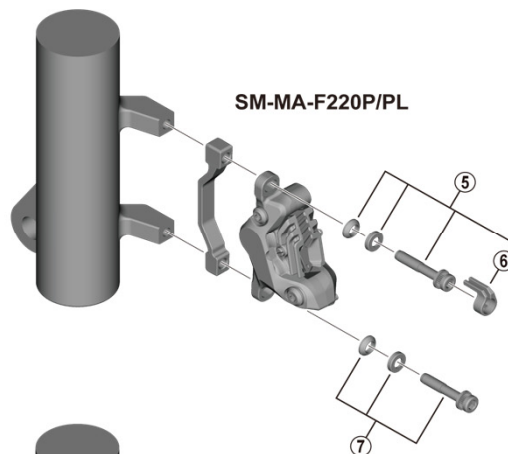
TL-FC36



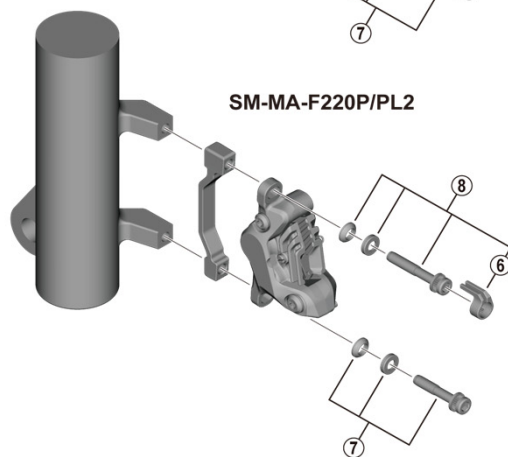
SM-RT66-LL



SM-MA-F220P/PM



SM-MA-F220P/PL



SM-MA-F220P/PL2

ITEM NO.	SHIMANO CODE NO.	DESCRIPTION
1	Y2FK98010	Lock ring and washer (external spline type)
2	Y13098000	TL-FC36 Lock ring removal tool
3	Y8NX98010	Rotor fixing screw and lock washer
4	Y8J418030	Clamp screw (M6 x 16)
5	Y8J498030	Caliper fixing screw unit (M6 x 34.4)
6	Y2RT07000	Snap ring
7	Y8G498030	Caliper fixing screw unit (M6 x 32.1)
8	Y2RT98020	Caliper fixing screw unit (M6 x 37.9)

Aug.-2021-4902
© Shimano Inc. I

Specifications are subject to change without notice.

SHIMANO