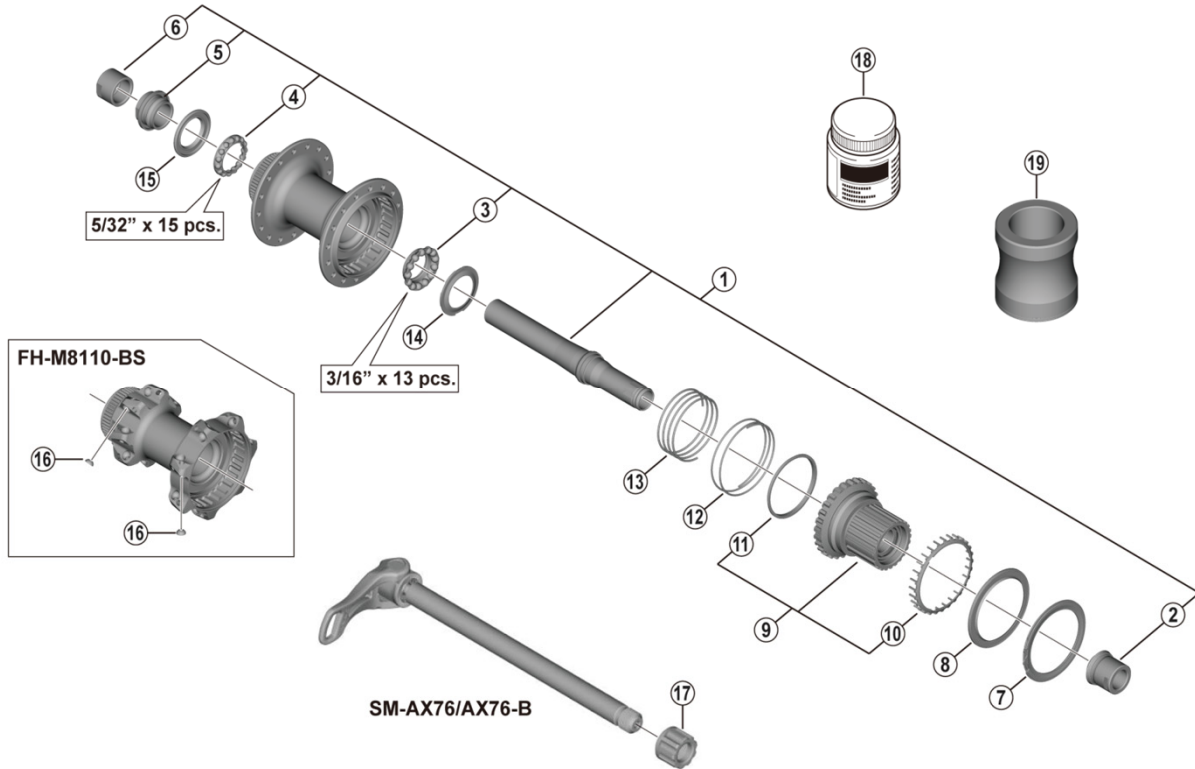


DEORE XT Freehub (12-speed)

# FH-M8110/M8110-B/M8110-BS For Disc Brake

## SM-AX76/AX76-B



• Over Lock Nut Dimension: 142 mm for FH-M8110 / 148 mm for FH-M8110-B, and FH-M8110-BS

ITEM NO.	SHIMANO CODE NO.	DESCRIPTION	FH-M8110		FM-MT901-B	
			INTERCHANGEABILITY			
1	Y3G098010	Complete hub axle for FH-M8110				
	Y3G198010	Complete hub axle for FH-M8110-B and FH-M8110-BS				
2	Y3G198020	Right hand cap unit				
3	Y3G198030	Right hand ball retainer (3/16" x 13)	B	B		
4	Y0CJ98030	Ball retainer (5/32" x 15)	B	B		
5	Y3G198040	Left hand cone with dust cover				
6	Y3G104000	Left hand lock nut				
7	Y3FL98060	Stop ring with outer dust cover	A	A		
8	Y3FM26000	Outer seal ring	A	A		
* 9	Y3G198050	Complete freewheel body				
* 10	Y3FM14000	Spacer	A	A		
11	Y3FM11000	Slider	A	A		
12	Y3FM10000	Spring	A	A		
13	Y3FM12000	Coil spring	A	A		
14	Y3G112000	Inner cover				
15	Y26D10000	Seal ring				
16	Y44801000	Spherical washer				
17	Y27Y02000	Fixing nut (M12)				
18	Y38Z98000	Seal grease for freehub 50 g	A	A		
19	Y1Y100010	TL-FH16 Seal ring presser	A	A		

A: Same parts.

B: Parts are usable, but differ in materials, appearance, finish, size, etc.

Absence of mark indicates non-interchangeability.

Specifications are subject to change without notice.

Jun.-2021-4511A

© Shimano Inc. |

# SHIMANO