

## SNP6-VF/SNP6-IF



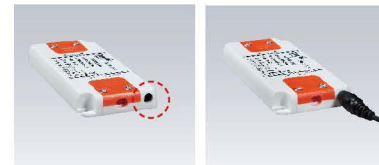
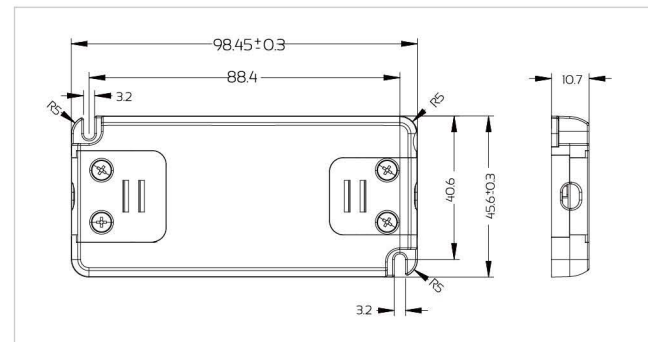
**Super thin 10.7mm**  
Thickness only

### Reliable Technical Data

- Rated Input Voltage:200-240VAC
- Input Frequency:50/60Hz
- Output Power:6W
- Body: PC
- Open Circuit; Short Circuit; Over Load;
- Over Heat Protection
- Safety According to EN61347-1, EN61347-2-13
- EMI According to EN55015
- EMS According to EN61000-3-2; EN61000-3-3; EN61547
- EMF According to EN62493-2010
- ERP According to EN1194-2012



### Dimension in mm



NEW direct plug-in feature

### Characteristics

Rated input voltage: AC200-240V 50/60Hz (power factor measured at AC230V and full load)

Model No.	Constant output voltage	Load	Max output current	PF	Ta	Tc	L x W x H
SNP6-12VF	12V	0-6W	0.5A	≥0.5	45°C	80°C	98.4x45.6x10.7
SNP6-24IF	24V	0-6W	0.25A	≥0.5	45°C	80°C	98.4x45.6x10.7

Model No.	Constant output current	Load	Max output voltage	PF	Ta	Tc	L x W x H
SNP6-350IF	350mA	0-6W	17.5VDC	≥0.5	45°C	80°C	98.4x45.6x10.7
SNP6-500IF	500mA	0-6W	12VDC	≥0.5	45°C	80°C	98.4x45.6x10.7
SNP6-700IF	700mA	0-6W	9VDC	≥0.5	45°C	80°C	98.4x45.6x10.7



## SNP6-VF(UE)/SNP6-IF(UE)/ SNP6-IF(UE)-1



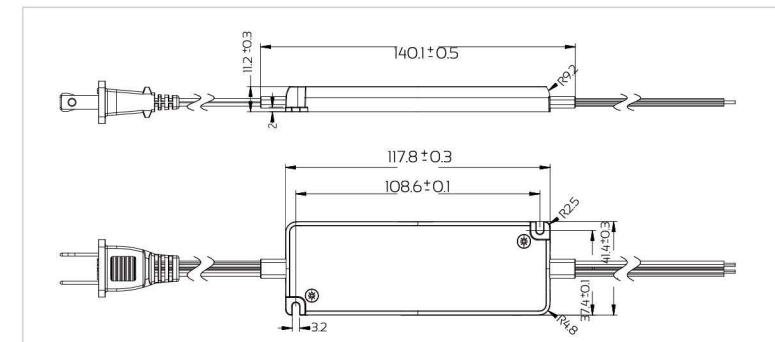
**Super thin 11.2mm**  
Thickness only

### Reliable Technical Data

- Rated Input Voltage:100-240VAC
- Input Frequency:50/60Hz
- Output Power:6W
- Body: PC
- Open Circuit; Short Circuit; Over Load;
- Over Heat Protection
- Safety According to EN61347-1, EN61347-2-13
- EMI According to EN55015
- EMS According to EN61000-3-2; EN61000-3-3; EN61547
- EMF According to EN62493-2010
- ERP According to EN1194-2012



### Dimension in mm



### Characteristics

Rated input voltage: AC100-240V 50/60Hz (power factor measured at AC230V and full load)

Model No.	Constant output voltage	Load	Max output current	PF	Ta	Tc	L x W x H
SNP6-12VF(UE)	12V	0-6W	0.5A	≥0.45	50°C	75°C	117.8x41.5x11.2
SNP6-24VF(UE)	24V	0-6W	0.25A	≥0.45	50°C	75°C	117.8x41.5x11.2

Model No.	Constant output current	Load	Output voltage range	PF	Ta	Tc	L x W x H
SNP6-350IF(UE)	350mA	0.5-6W	1.4-17.2VDC	≥0.45	50°C	80°C	117.8x41.5x11.2
SNP6-500IF(UE)	500mA	0.5-6W	1-12VDC	≥0.45	50°C	80°C	117.8x41.5x11.2
SNP6-700IF(UE)	700mA	0.5-6W	0.7-8.6VDC	≥0.45	50°C	80°C	117.8x41.5x11.2
SNP6-350IF(UE)-1	350mA	2.5-6W	7-17VDC	≥0.45	50°C	75°C	117.8x41.5x11.2
SNP6-500IF(UE)-1	500mA	2.5-6W	5-12VDC	≥0.45	50°C	75°C	117.8x41.5x11.2
SNP6-700IF(UE)-1	700mA	2.5-6W	3-9VDC	≥0.45	50°C	75°C	117.8x41.5x11.2

