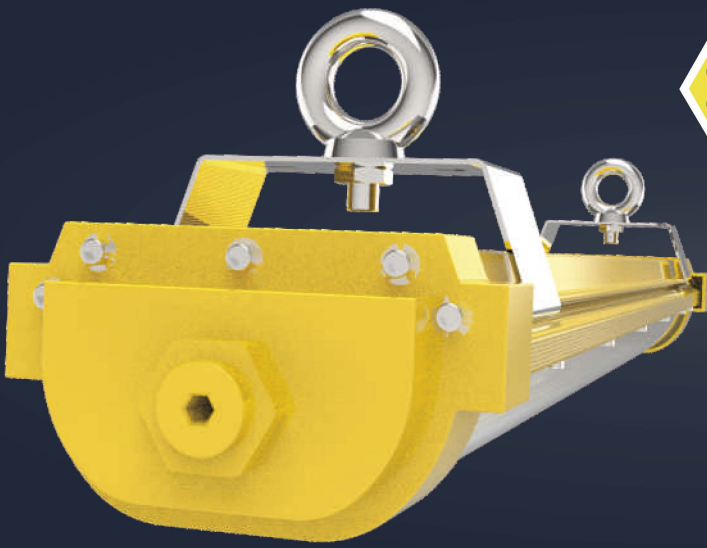


green:ID



Explosion Proof Light

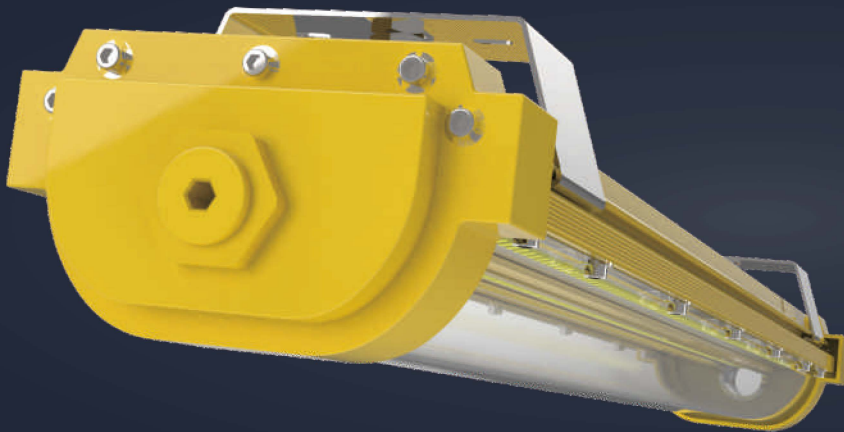
With ATEX certified, our explosion proof light fixture can be widely used for place of flammable and explosive chemical materials.



Patent

Design Patent

Aluminum housing
High thermal conductivity
Low lumen decay, L70=50,000hours
Impact test IK10
Waterproof IP66



Ex II 2 G Ex e mb IIC T6 Gc

IP66
IK10
5 years warranty

Features

1. Increased safety type of explosion proof grade, 95-265V alternating current and 24V direct current for option;
2. Integrated type of tube, adopt SMD LED on aluminum base, make aluminum base completely attached to heat sink which composed of lamp body to make sure excellent heat dissipation, lead to long lifetime.
3. Adopt silicon encapsulated sealed power supply whose body made of aluminum alloy, put it inside of aluminum body and closed attached to heat sink to make sure heat dissipated from power supply.
4. Cover made of high quality PC which enjoy high-strength, impact resistant, hot resistant, corrosion-resistant.
5. Completely sealed to waterproof, dust-proof, corrosion-resistant.
6. Smart appearance, equip with two mounting brackets, it can be installed easily.

Standard

The drawings, technical documents and the samples are verified and certified according to stands for safety as below:

EN60079-0-2010 explosive atmospheres Part 1: Equipment-General requirements

EN60079-0-2010 explosive atmospheres Part 3: Equipment protection by increased safety "e"

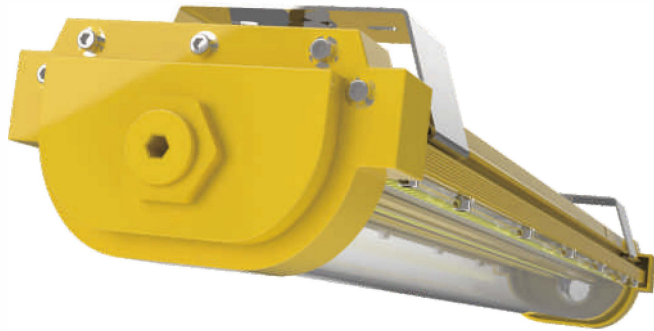
EN60079-18-2004 Electrical apparatus for explosive gas atmosphere 9:Encapsulation

Features

Applied to oil fields, oil refineries, offshore oil platform, power plants, gas stations, oil tanks, wharf, tunnel, pumping station, substation, the military base, etc. Zone I and Zone II Hazardous Locations, Zone 20, Zone 21, Zone 22 and II A, IIB, IIC explosive gas atmosphere.

Mark

Ex emb IIC T6 Gc



Features

- Explosion proof aluminum housing
- High thermal conductivity
- With Bridgelux led, initial efficiency 170lm/w
- Lifud Driver, Efficiency>92%, 5 years warranty
- Low lumen decay, L70=50,000hours
- Long lifetime 50,000hours
- Impact test IK10
- Waterproof IP66
- Energy saving up to 90%
- Electrical: 100~277V, 50-60Hz
- CRI>70 (Ra80/90 for option)
- Surge protection: 2KV



Dimming & Sensor Options



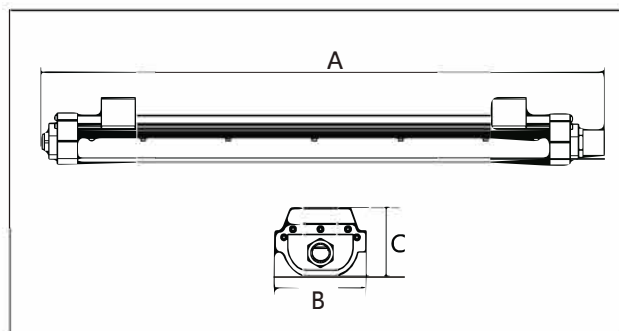
Application

- Warehouse / Factory / Parking
- Flammable and explosive chemical materials storage

120lm/w

5 YEARS WARRANTY

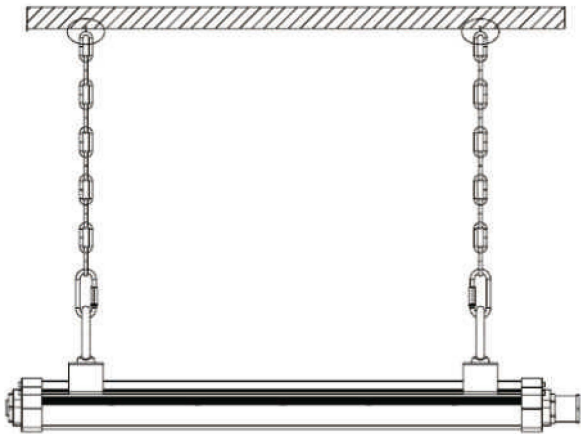
Bridgelux LED



Model	Watt (W)	Voltage (V)	Lumen (lm)	CRI	Power factor	Beam Angle	IP	IK	LED	A*B*C
TB-20W-E2	20W	100~277V	2400	>70	>0.95	160°	IP66	IK10	Bridgelux	662*107*61
TB-40W-E2	40W	100~277V	4800	>70	>0.95	160°	IP66	IK10	Bridgelux	662*107*61
TB-40W-E4	40W	100~277V	4800	>70	>0.95	160°	IP66	IK10	Bridgelux	1262*107*61
TB-60W-E4	60W	100~277V	7200	>70	>0.95	160°	IP66	IK10	Bridgelux	1262*107*61
TB-80W-E4	80W	100~277V	9600	>70	>0.95	160°	IP66	IK10	Bridgelux	1262*107*61

Installation

Suspending



Surface Mounting

