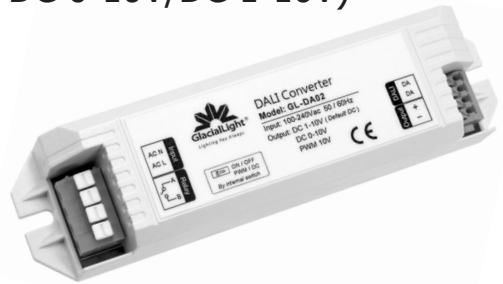


GL-DA02

DALI Converter (PWM/DC 0-10V/DC 1-10V)

Features

- Compliance with DALI standard (IEC62386 Part 102 & Part 206)
- DALI signal line regardless of pole
- Screw-less connector, easy to install
- Selectable output for PWM / DC 0-10V / DC 1-10V
- Selectable dimming curve for logarithm or linear
- Build-in Relay to turn ON/OFF driver completely



DALI (Digital Addressable Lighting Interface) is an international standard, popular lighting control protocol BUS. With digital addressing dimming, stable, various dimming ways, easy to install.

GL-DA02 adopt standard DALI dimming signal to transform 10V PWM dimming signal or transform DC 0/1-10V dimming signal. It is compliance with IEC62386 standard. Compared with traditional LED dimming way, have a wide range of dimming, various dimming way, high precision dimming, can inquire the state of lamps.

GL-DA02 is a DALI to PWM/DC 0-10V/DC 1-10V converter which is suitable for the control of 3 in 1(DC/PWM/Resistor) dimmable drivers. It can switch ON and OFF the driver, provide 0.1%-100% duty cycle of PWM signal to the dimmable driver to control the light level according to the DALI commands.

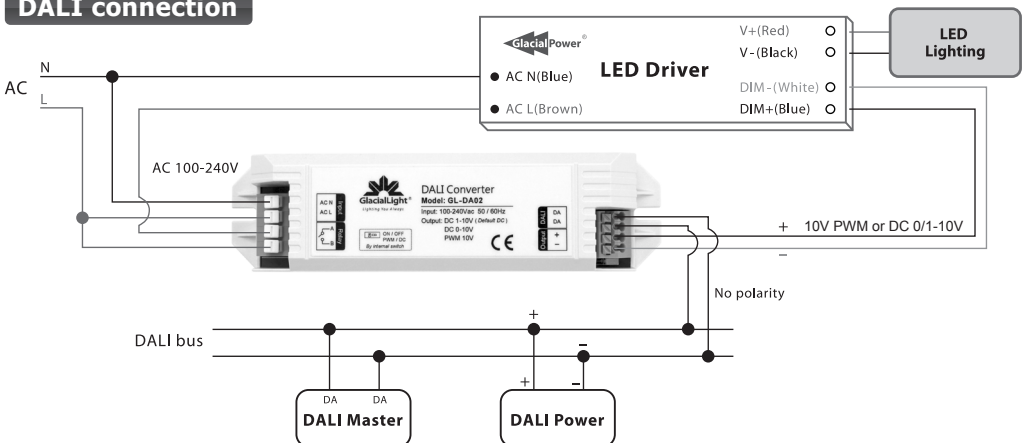
Electrical Specifications

Electrical Specification	MIN.	TYP.	MAX.
Input Voltage(VAC)	90		264
Power Consumption(W)		1.6	3
DALI Bus Current Consumption(mA)			2
Suitable Electric Wire (AWG)	22		16
PWM Frequency(Hz)		500	
PWM High Level Voltage(VDC)	9.5	10	10.5
PWM Low Level Voltage(VDC)		0	
PWM Output current sourcing (mA)	-60		60
DC 0/1-10V output accuracy		±3%	
DC Output current sourcing (mA)	-5		60

Other Functional Description

DALI standard	IEC62386 Part-102 & Part-206
DALI Input reversed protection	Yes
Number of output channel	1
Output channel short protection	Yes
Weight	100g ±10%
Dimensions (L×W×H)	150×40×28mm
Operating temperature range	-20~+40°C
Relay switch	1 channel, 2A

DALI connection



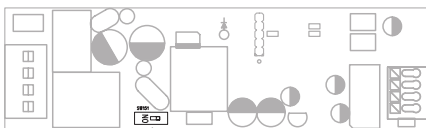
DALI Declaration of Factory variables (for Part 102)

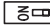
VARIABLE	DEFAULT VALUE	RESET VALUE	RANGE OF VALIDITY
"ACTUAL DIM LEVEL"	254	254	0, MIN LEVEL – MAX LEVEL
"POWER ON LEVEL"	254	254	0 – 255 ("MASK")
"SYSTEM FAILURE LEVEL"	254	254	0 – 255 ("MASK")
"MIN LEVEL"	"PHYSICAL MIN LEVEL"	"PHYSICAL MIN LEVEL"	PHYSICAL MIN LEVEL – MAX LEVEL
"MAX LEVEL"	254	254	MIN LEVEL - 254
"FADE RATE"	7 (45 steps/s)	7 (45 steps/s)	1 - 15
"FADE TIME"	0 (no fade)	0 (no fade)	0 - 15
"SHORT ADDRESS"	255 ("MASK")	no change	0 – 63 255 ("MASK")
"SEARCH ADDRESS"	FF FF FF	FF FF FF	00 00 00 – FF FF FF
"RANDOM ADDRESS"	FF FF FF	FF FF FF	00 00 00 – FF FF FF
"GROUP 0-7"	0000 0000 (no group)	0000 0000 (no group)	0 - 255
"GROUP 8-15"	0000 0000 (no group)	0000 0000 (no group)	0 - 255
"SCENE 0-15"	255 ("MASK")	255 ("MASK")	0 – 255 ("MASK")
"STATUS INFORMATION"	1??0 ????	0?10 0???	0 - 255
"VERSION NUMBER"	1	no change	Factory-defined
? actual value depend on the operation status			

DALI Declaration of Factory variables (for Part 206)

VARIABLE	DEFAULT VALUE	RESET VALUE	RECEIVED COMMAND-230	RANGE OF VALIDITY
DIMMING CURVE	0	No change	0	0–1; (2–255 reserved)
CONVERTER FEATURES	0111 0101	No change	0111 0101	Factory-defined
FAILURE STATUS	0000 0000	No change	0000 0000	0–255
CONVERTER STATUS	0000 0000	No change	0000 0000	0–255
EXTENDED VERSION NUMBER	1	No change	1	Factory-defined
DEVICE TYPE	5	No change	5	Factory-defined
PHYSICAL MIN LEVEL	1	No change	1	1–253

Output signal type selection



 ON / OFF
 PWM / DC
By internal switch

ON: PWM 10V
OFF: DC 1-10V (Default DC)
DC 0-10V (By DALI Command-225)

