

SRAM

SRAM



TRUVATIV

ZIPP

QUARQ

Component Serial Numbers

L3101221032
16T73338217
42T60951422
29T74718449
1202980380
16T73338217
46T763450



SERIAL NUMBER LOCATION GUIDE

General Notes

This document is intended to communicate where to find and how to interpret serial numbers on select SRAM, RockShox, Zipp, AVID, Truvativ, and Quarq branded components.

Images in this document are not to scale.

Your product's appearance may vary slightly from the images in this document.

Information in this document is subject to change without prior notice.

Some products do not have a serial number as formatted in this document.

If you have any questions please contact your SRAM representative.

Table of Contents

BlipBox Unified Shifter		Wheels	
Electronic Shifting	4	ZIPP Road	32
Aerobar		Wheels	
Electronic Shifting	5	SRAM	33
Battery		Height-Adjustable Seatpost	
Electronic Shifting	6	Electronic	34
Front Derailleur		Height-Adjustable Seatpost	
Electronic Shifting	7	Hydraulic	35
Front Derailleur		Front Suspension	
Mechanical Shifting.....	8	SID/ RS-1/ Reba/ Bluto/ Pike/ Lyrik/ Yari/ Revelation/ Recon Gold/ Sektor Gold and Silver	36
Rear Derailleur		Front Suspension	
Electronic Shifting	9	Paragon/ Paragon Silver/ Tora/ Dart/ XC 28/ XC 32/30 Gold and Silver/Recon Silver/ i-RIDE	37
Rear Derailleur		Front Suspension	
Mechanical Shifting.....	10	Dual Crown Fork- BoXXer/ Domain	38
Rear Derailleur		Rear Suspension	
Mechanical Shifting.....	11	Deluxe.....	39
Controller		Rear Suspension	
Electronic Shifting	12	Super Deluxe	40
Hydraulic Shift-Brake Lever		Rear Suspension	
Electronic Shifting	13	Super Deluxe Coil.....	41
Hydraulic Shift-Brake Lever		Rear Suspension	
Mechanical Shifting.....	14	Vivid/ Vivid Air/ Kage	42
Hydraulic Disc Brake Caliper		Rear Suspension	
.....	15	Monarch/ Monarch Plus	43
Hydraulic Rim Brake			
.....	16		
Mechanical Shift-Brake Lever			
Electronic Shifting	17		
Mechanical Shift-Brake Lever			
Mechanical Shifting.....	18		
Mechanical Rim Brake			
.....	19		
Trigger Shifter			
Mechanical Shifting.....	20		
Grip Shift			
Mechanical Shifting.....	21		
Cassette			
.....	22		
Cranks			
Carbon	23		
Power Meter			
Direct Mount Aero 1x Chainring.....	24		
Power Meter			
Direct Mount 2x Chainring	25		
Power Meter			
Riken/Elsa/RED/SBC/Cannondale Spiders	26		
Power Meter			
Elsa RS/XX1 Spiders.....	27		
Power Meter			
RED 1x/ FORCE 2x/ DZero RED/ DFour/ DFour/ DZero SBC/ XX1 Eagle	28		
TyreWiz			
Quarq	29		
ShockWiz			
Quarq	30		
Wheels			
ZIPP MTB.....	31		

BlipBox Unified Shifter

Electronic Shifting

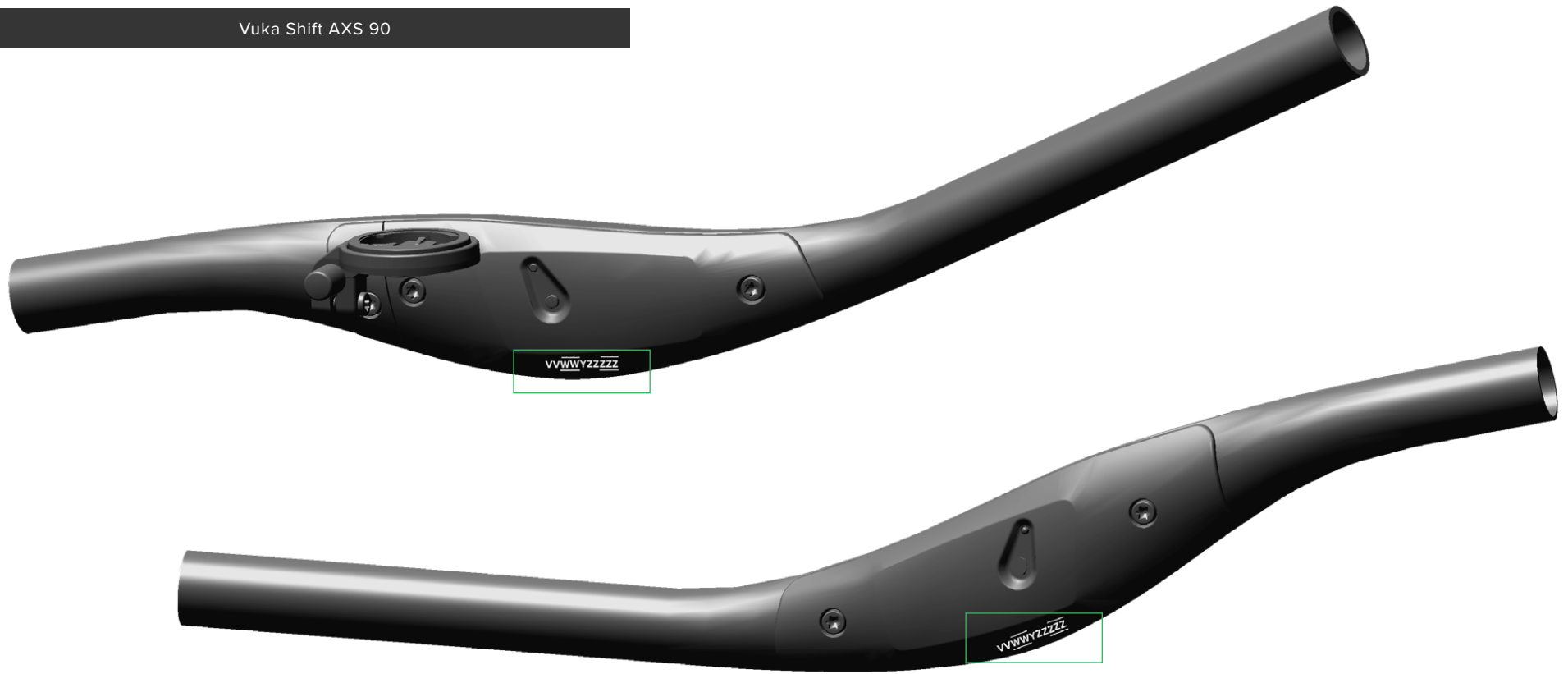


- The serial number is laser etched on the under side.

Aerobar

Electronic Shifting

Vuka Shift AXS 90



- The serial number is laser etched on the cover under the button certifications.

Battery

Electronic Shifting



- The serial number is laser etched on the back of the battery.

Front Derailleur

Electronic Shifting

eTap and eTap AXS



- The serial number is laser etched or inkjet printed on the back of the inner cage.

Front Derailleur

Mechanical Shifting

MTB



Road

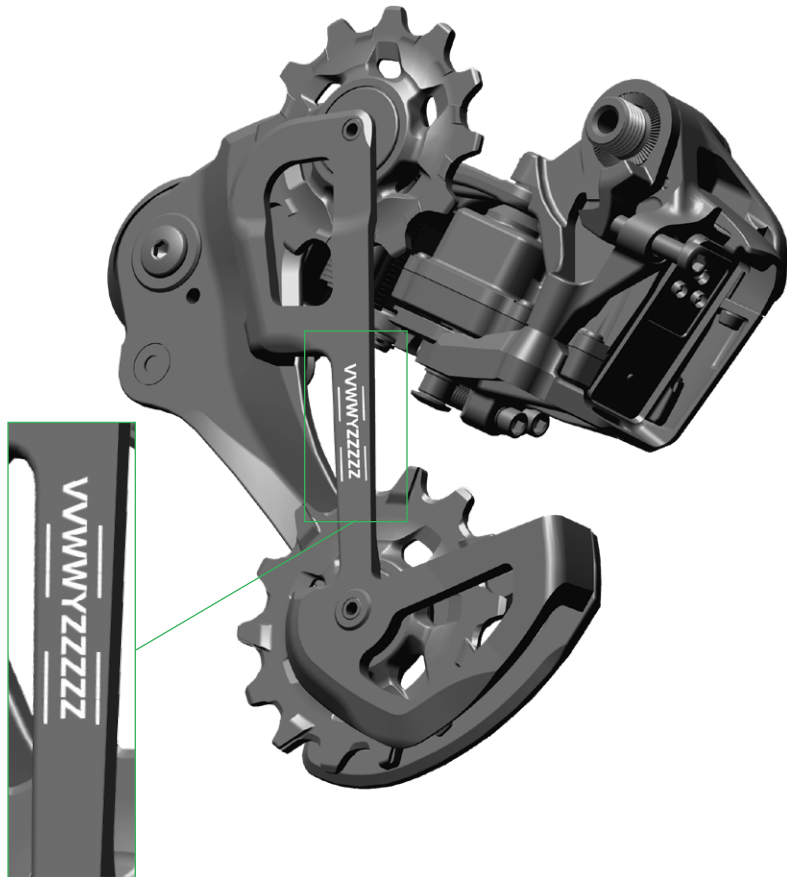


- The serial number is laser etched on the back of the cage.

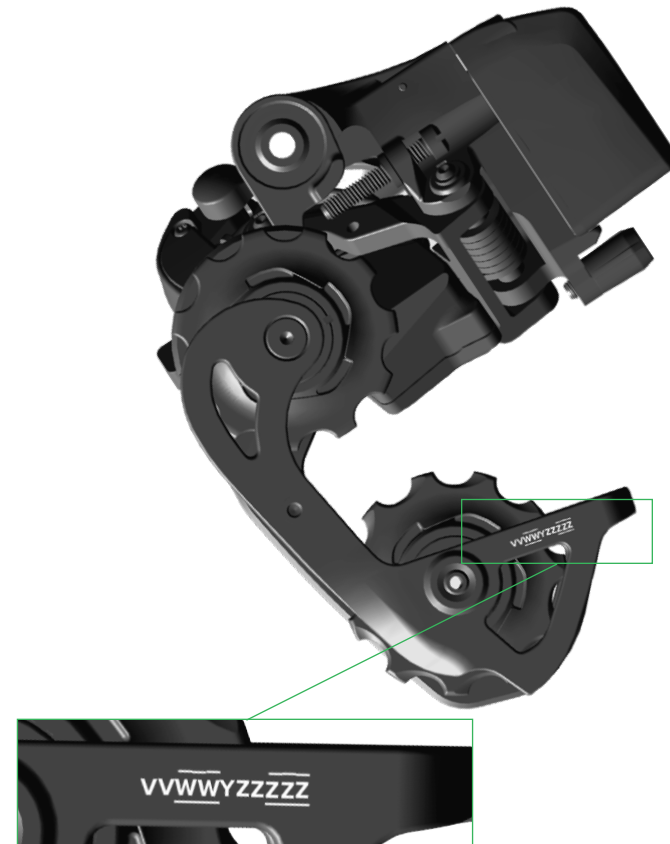
Rear Derailleur

Electronic Shifting

MTB AXS



Road eTap and eTap AXS

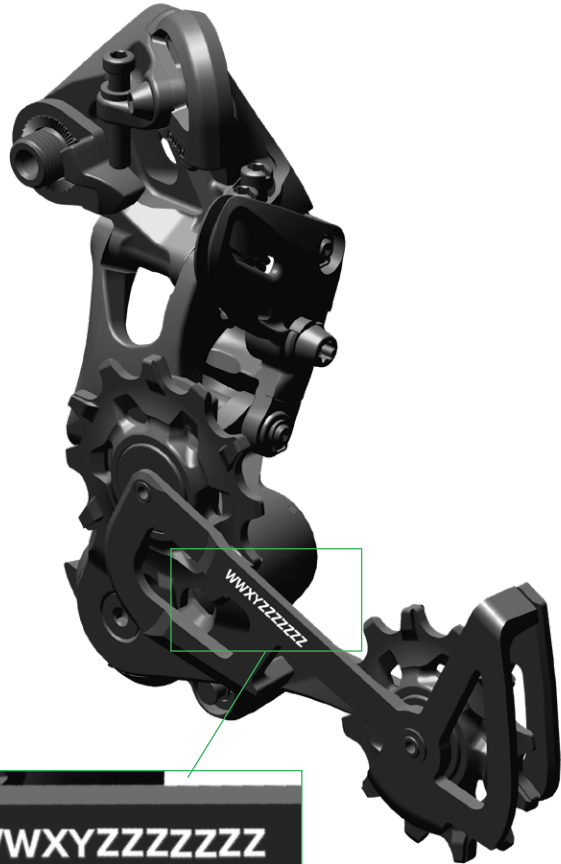


- The serial number is laser etched or inkjet printed on the back of the inner cage.

Rear Derailleur

Mechanical Shifting

XX/ XO/ GX



RED/ Force/ Rival

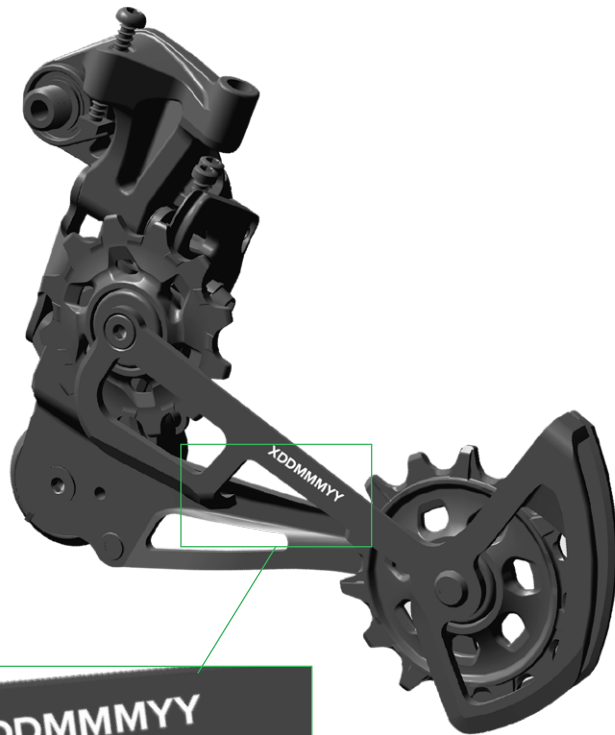


- The serial number is laser etched on the back of the inner cage.

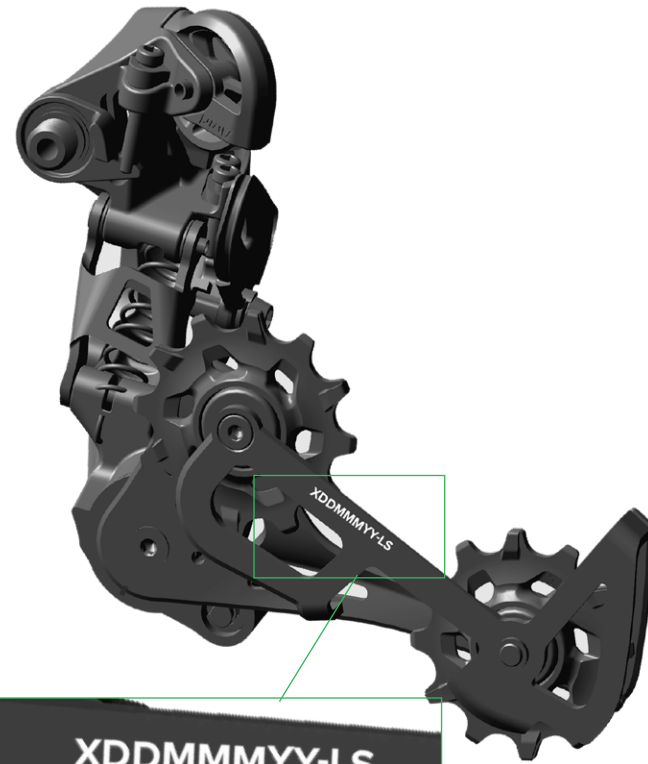
Rear Derailleur

Mechanical Shifting

SX Eagle/ NX Eagle



SX/ NX/ Apex 1



- The serial number is laser etched on the back of the inner cage.

Controller

Electronic Shifting

Left Side RockShox AXS Controller



Right Side Eagle AXS Controller



- The serial number is laser etched on the underside of the housing.

Hydraulic Shift-Brake Lever

Electronic Shifting

SRAM RED eTap/ SRAM RED eTap AXS/ SRAM Force eTap AXS



SRAM Rival eTap AXS



- The serial number is laser etched on the top of the reservoir cover or on the top of the cylinder sleeve. Do not use the number located on the brake lever blade for warranty claims.

Hydraulic Shift-Brake Lever

Mechanical Shifting

Mechanical Hydraulic Shift-Brake Lever



- The serial number is laser etched on the reservoir hatch under the hood.

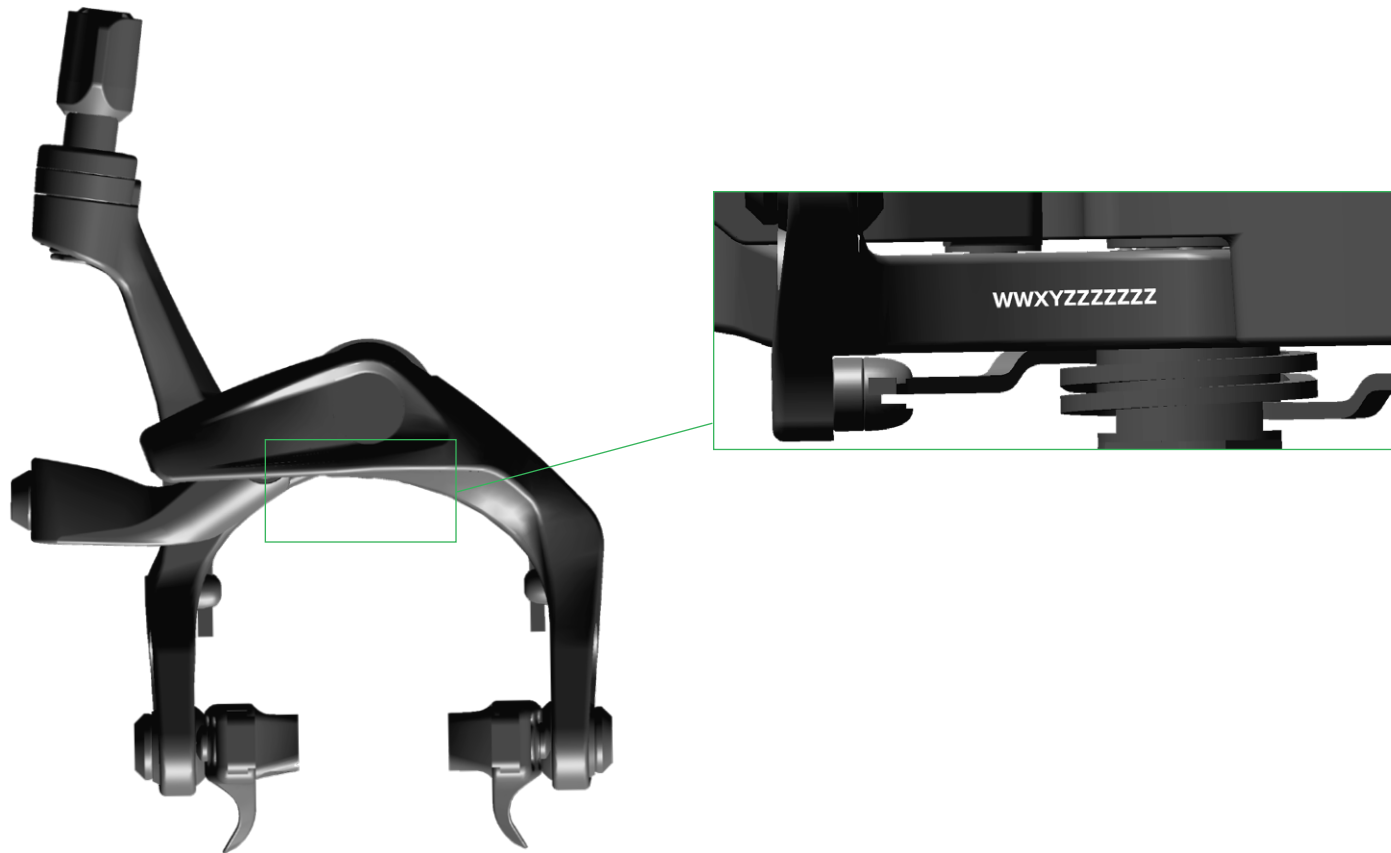
Hydraulic Disc Brake Caliper



- The serial number is laser etched on the underside of the brake caliper body.

Hydraulic Rim Brake

Single Pivot RED brake/RED Hydro/BL800



- The serial number is laser etched on the underside of the back brake arm.

Mechanical Shift-Brake Lever

Electronic Shifting

eTap and eTap AXS Mechanical Brake



- The serial number is laser etched on the back of the shift-brake lever blade.

Mechanical Shift-Brake Lever

Mechanical Shifting

Mechanical Shift-Brake Lever



- The serial number is laser etched on the back of the shift-brake lever blade.

Mechanical Rim Brake

Force/Rival/Apex



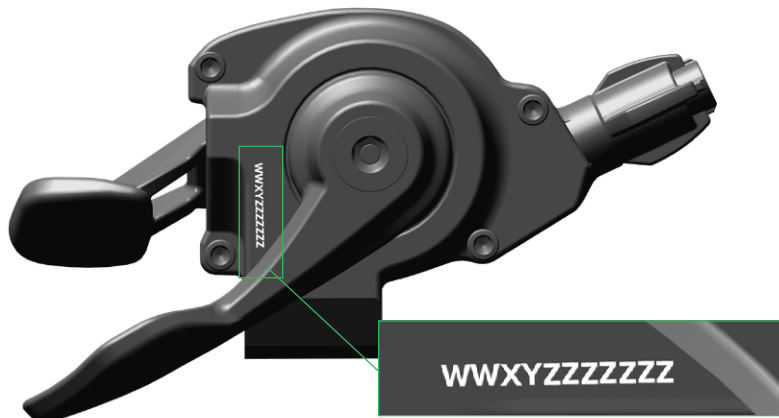
KOM (RED) Brake



- The serial number is laser etched on the back of the brake.

Trigger Shifter

Mechanical Shifting

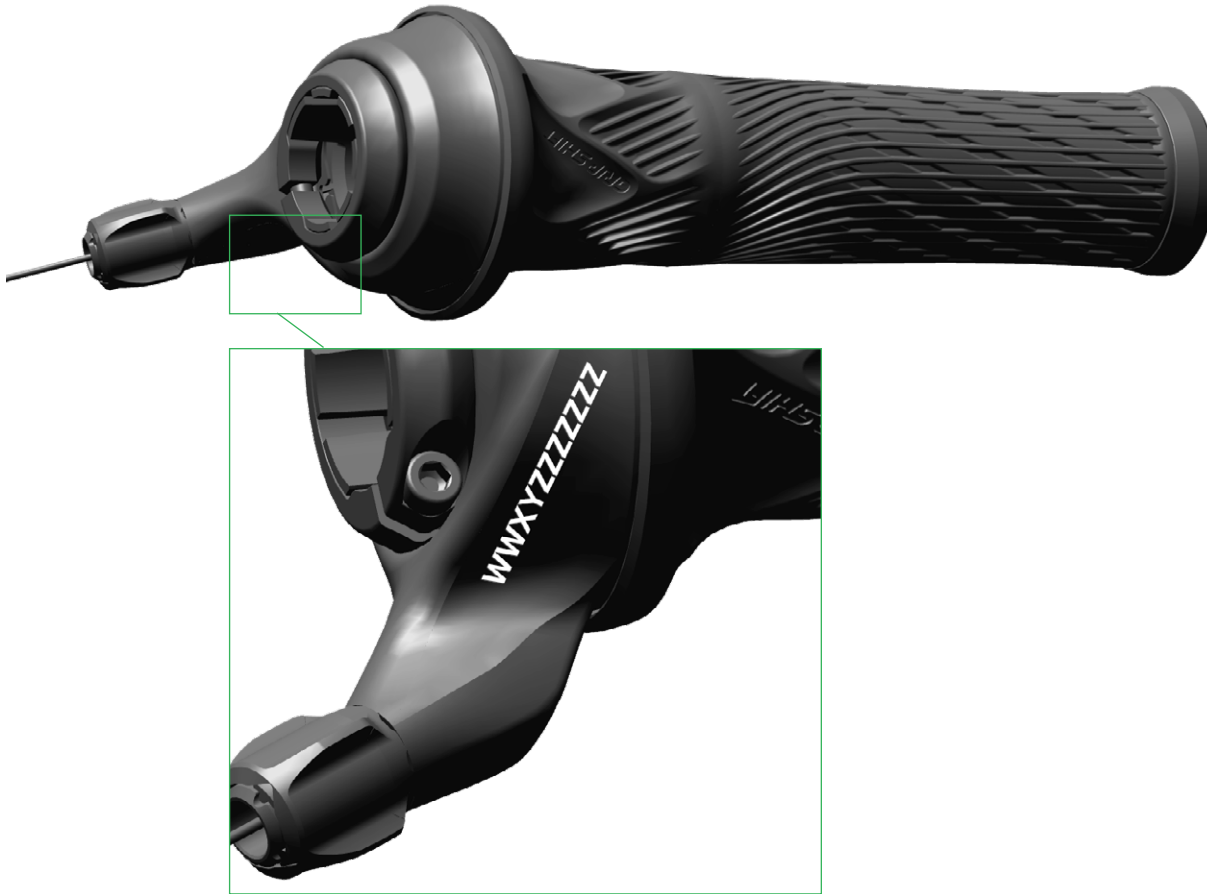


- The serial number is laser etched on the back of the lever or the underside of the housing.

Grip Shift

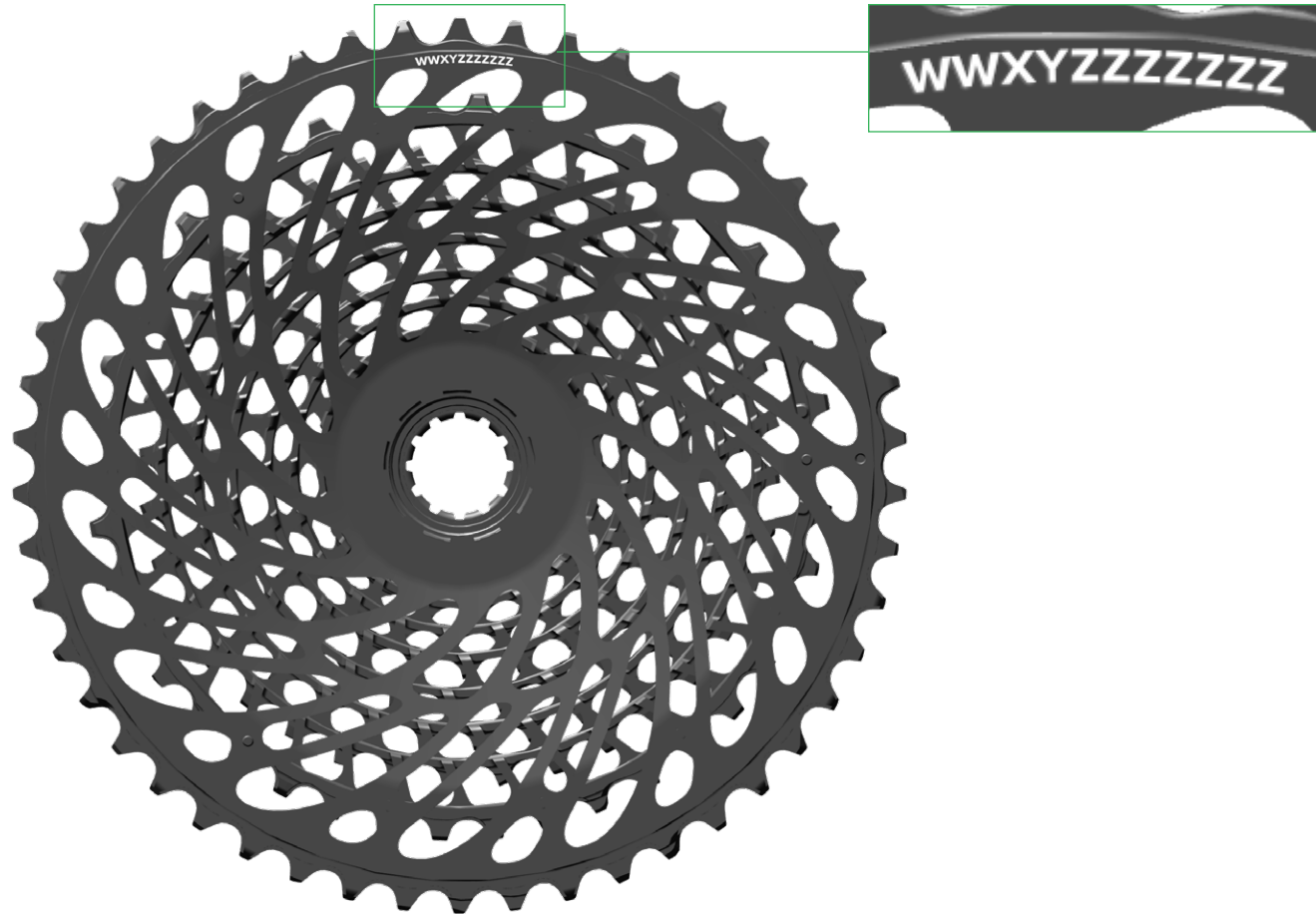
Mechanical Shifting

Serial Location after week 43, 2006



- The serial number is laser etched on the underside of the plastic housing.

Cassette



- The serial number is laser etched on the back of the cassette.

Cranks

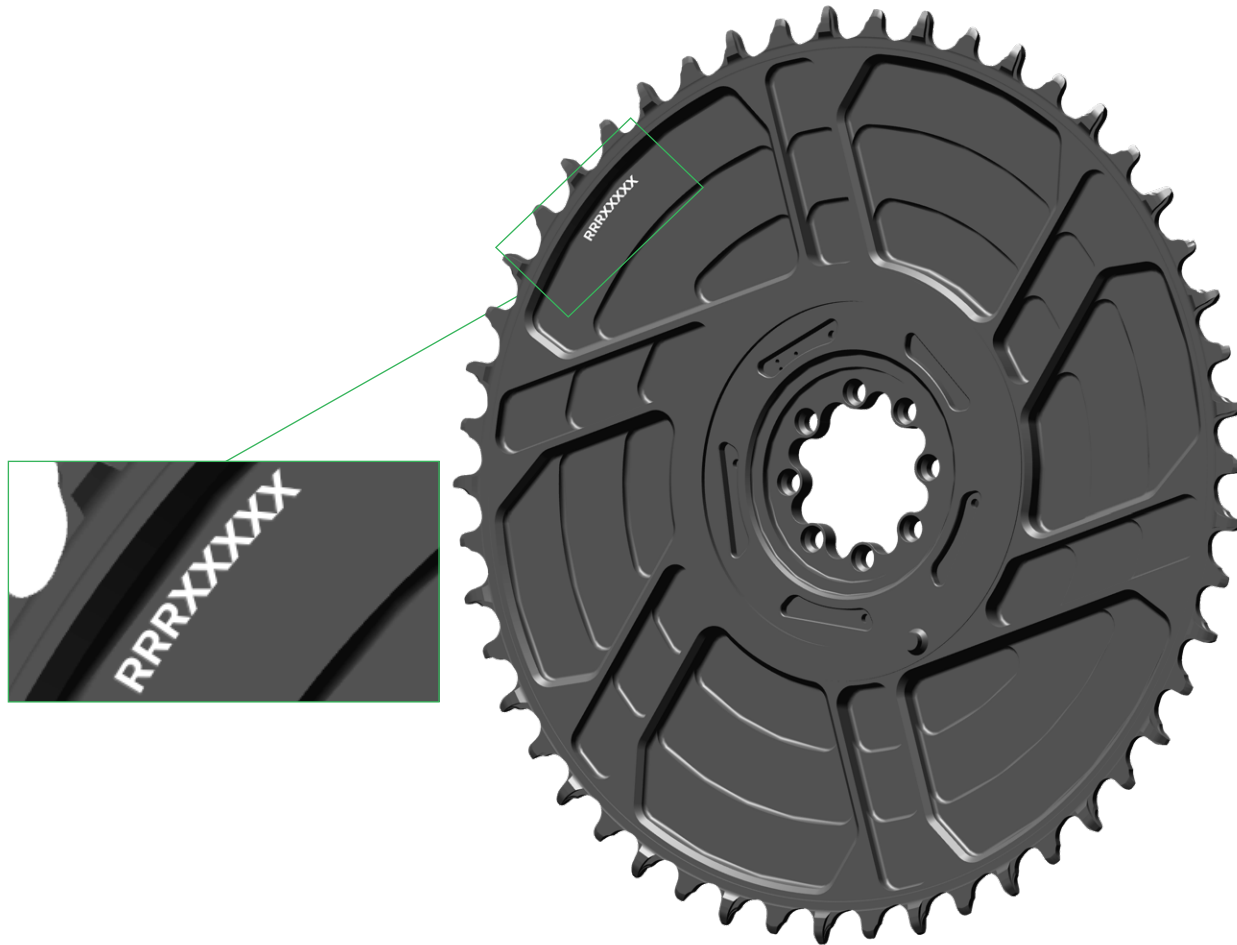
Carbon



- The serial number is laser etched under the pedal shaft hole on the inside of the crankarm.

Power Meter

Direct Mount Aero 1x Chainring



- The serial number is laser etched on the back side of the chainring.

Power Meter

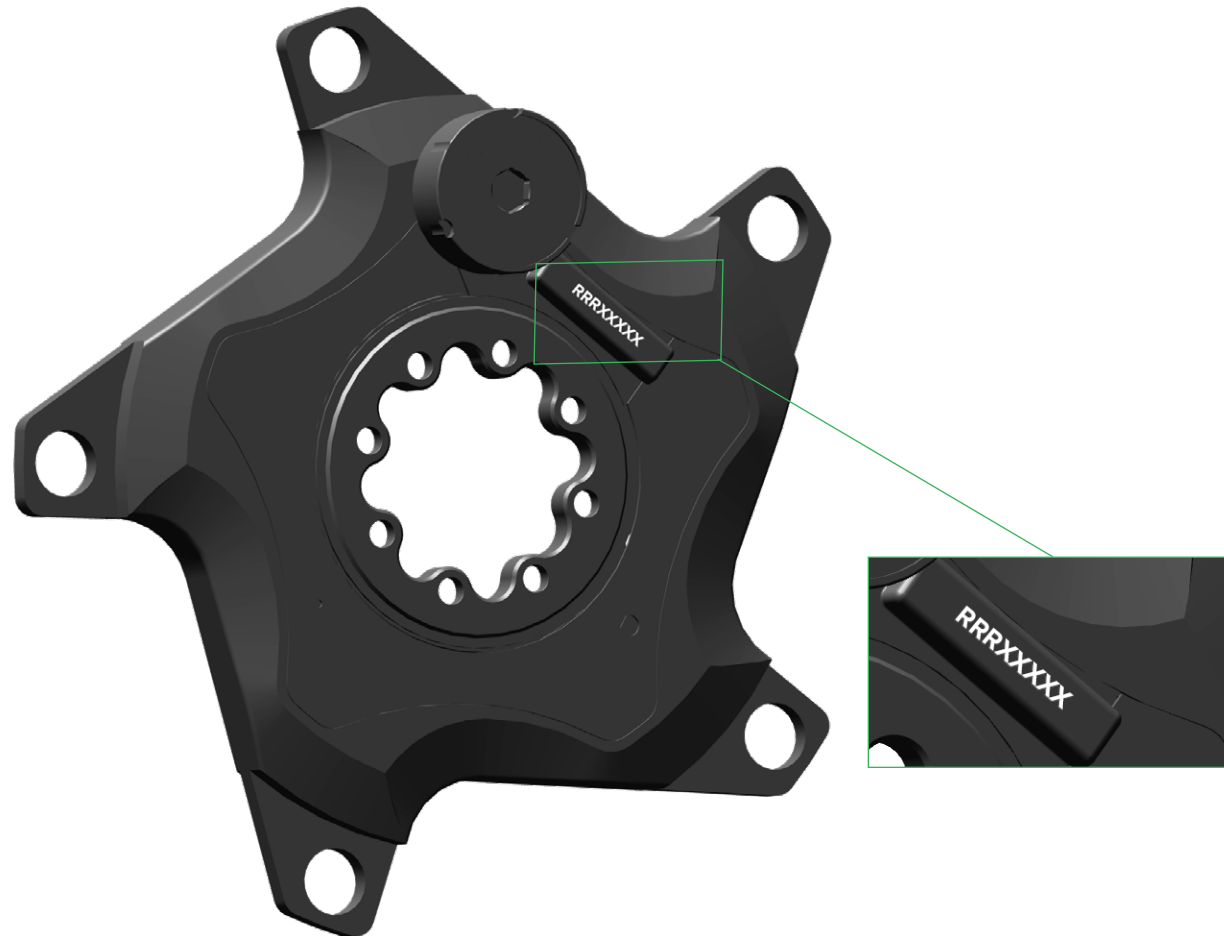
Direct Mount 2x Chainring



- The serial number is laser etched on the back side of the big chainring.

Power Meter

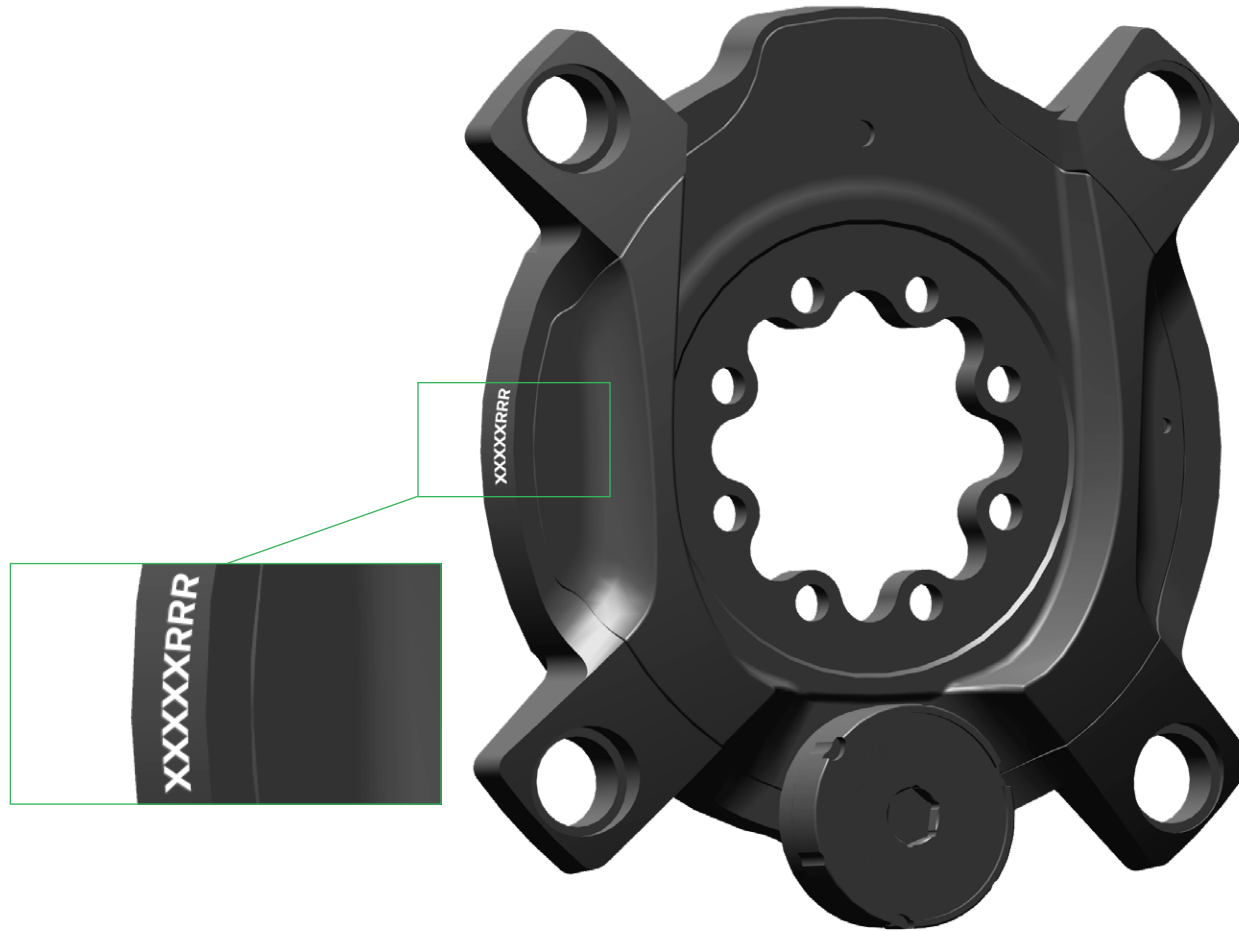
Riken/Elsa/RED/SBC/Cannondale Spiders



- The serial number is laser etched on the front side, next to the battery cover.

Power Meter

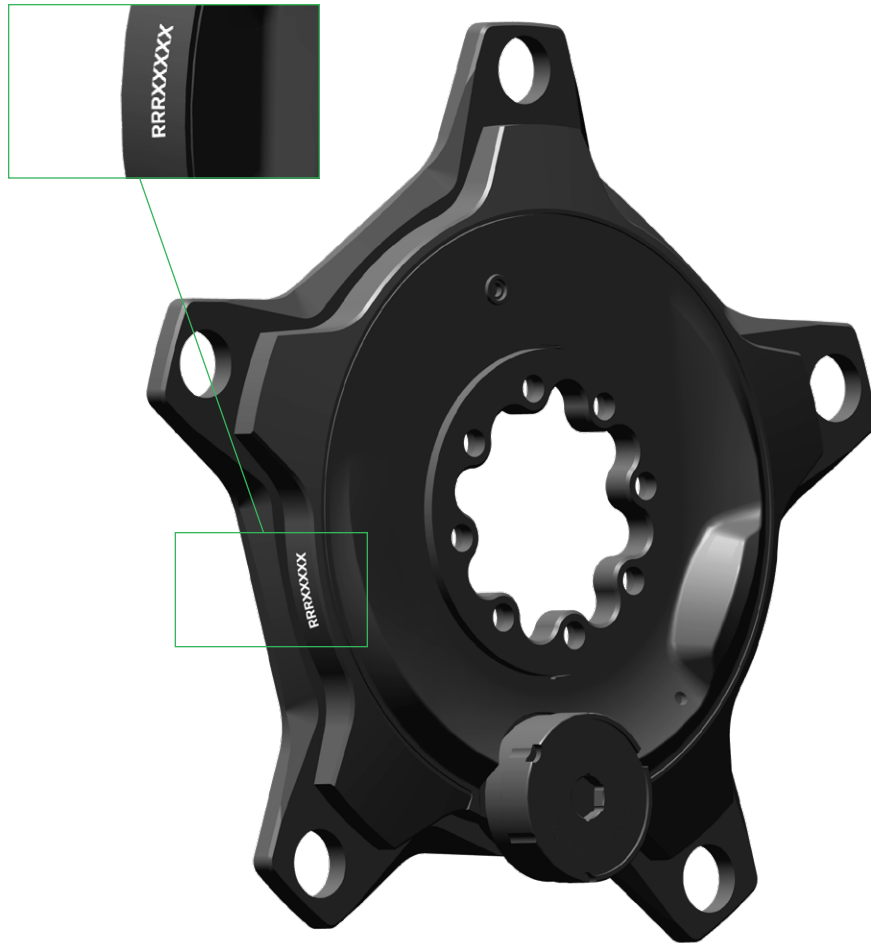
Elsa RS/XX1 Spiders



- The serial number is laser etched on the side, between the spider tabs.

Power Meter

RED 1x/ FORCE 2x/ DZero RED/ DFour/ DFour/ DZero SBC/ XX1 Eagle



- The serial number is laser etched on the side, between the spider tabs.

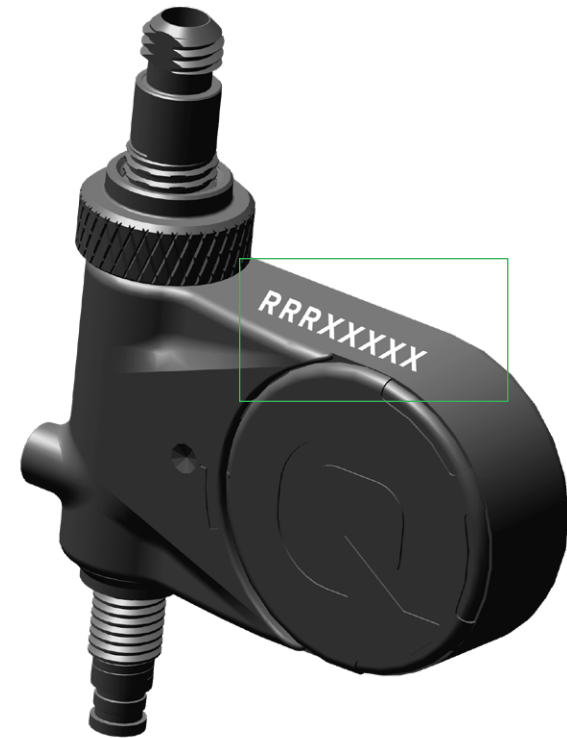
TyreWiz

Quarq

TyreWiz for ZIPP 3Zero Moto



Standard TyreWiz



- On TyreWiz for ZIPP 3Zero Moto, the serial number is laser etched on the side. On Standard TyreWiz, the serial number is laser etched on the top edge.

ShockWiz

Quarq

ShockWiz

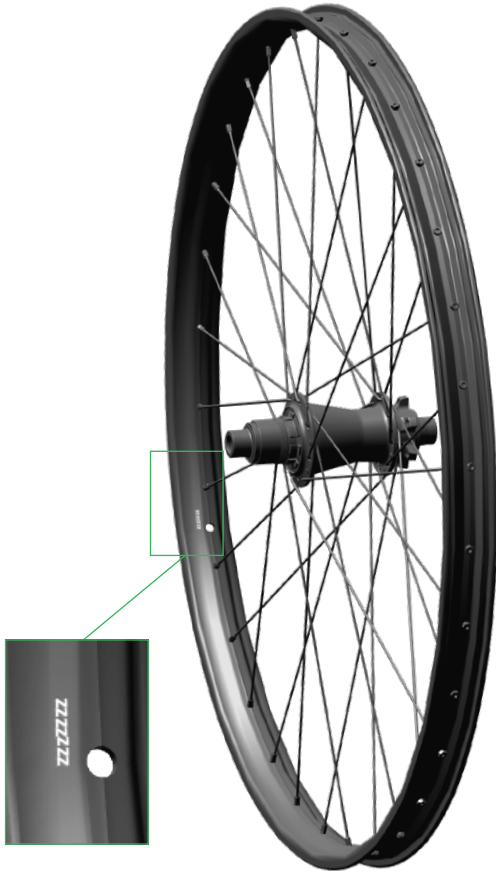


- The serial number is laser etched on the back of the device under the Q.

Wheels

ZIPP MTB

ZIPP 3Zero Moto

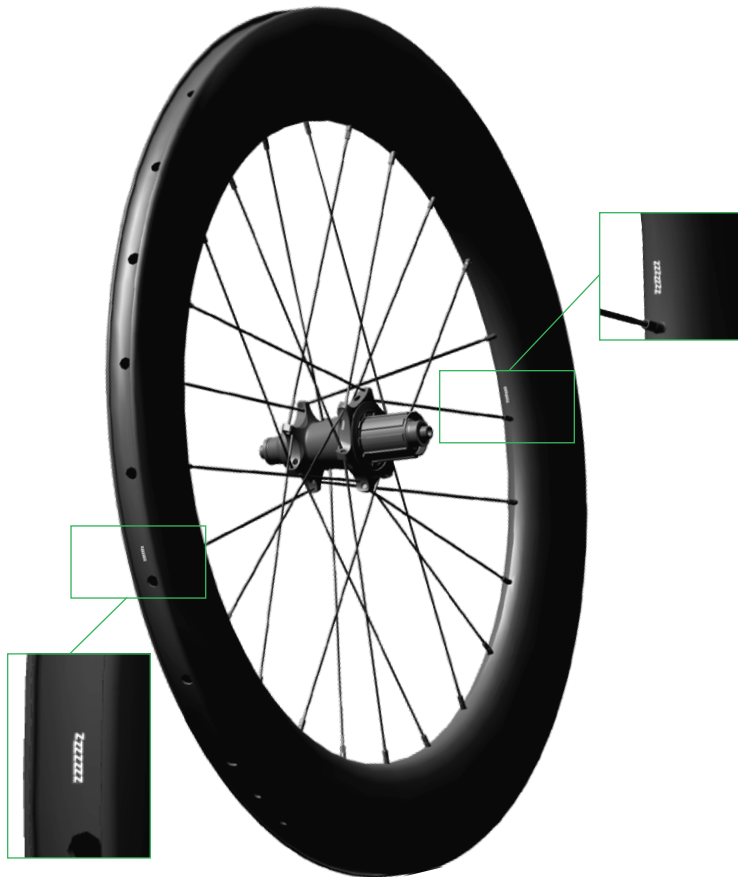


- The serial number is laser etched next to the valve hole.

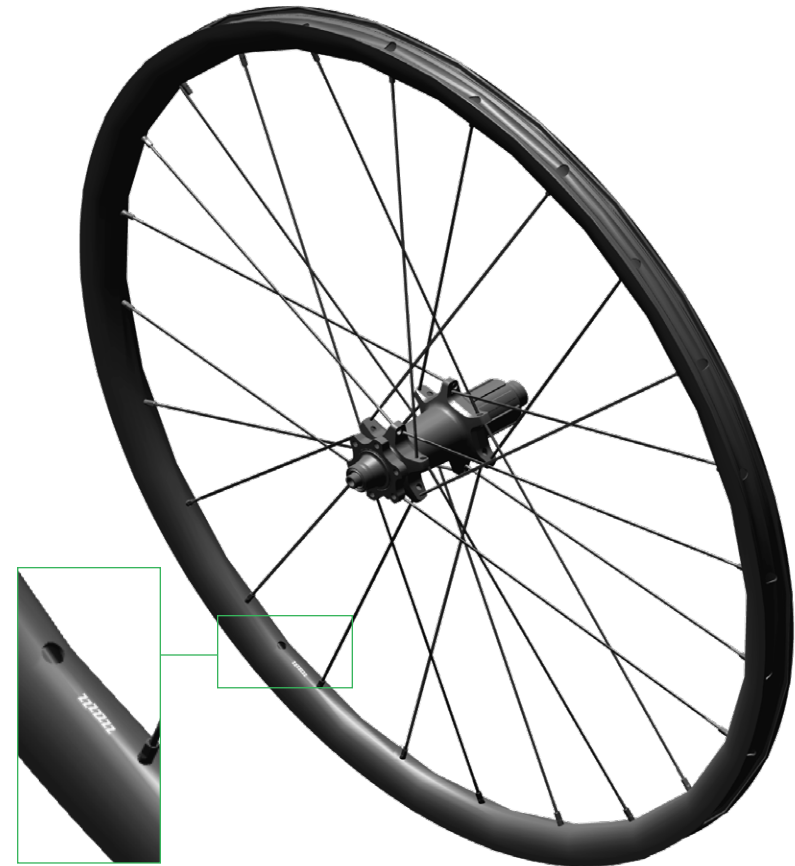
Wheels

ZIPP Road

ZIPP Carbon



ZIPP 30 Course

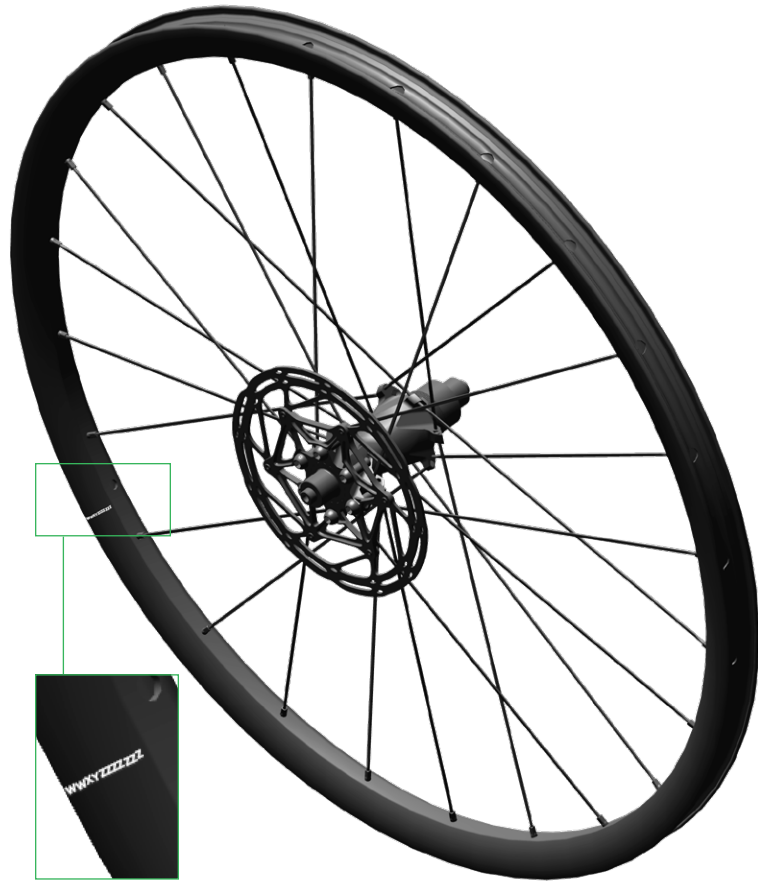


- The serial number is laser etched on the spoke bed, tire bed, or on the inside edge of the rim next to, or across from the valve hole.

Wheels

SRAM

SRAM MTB Carbon and Aluminum



- The serial number is laser etched on the non-drive side, next to the valve hole, or on non-drive side top of the valve hole decal.

Height-Adjustable Seatpost

Electronic

Reverb AXS



- The serial number is laser etched on the back side of the post, under the Minimum Insertion art, and on the non-drive side of the post head.

Height-Adjustable Seatpost

Hydraulic

Reverb Stealth and Reverb

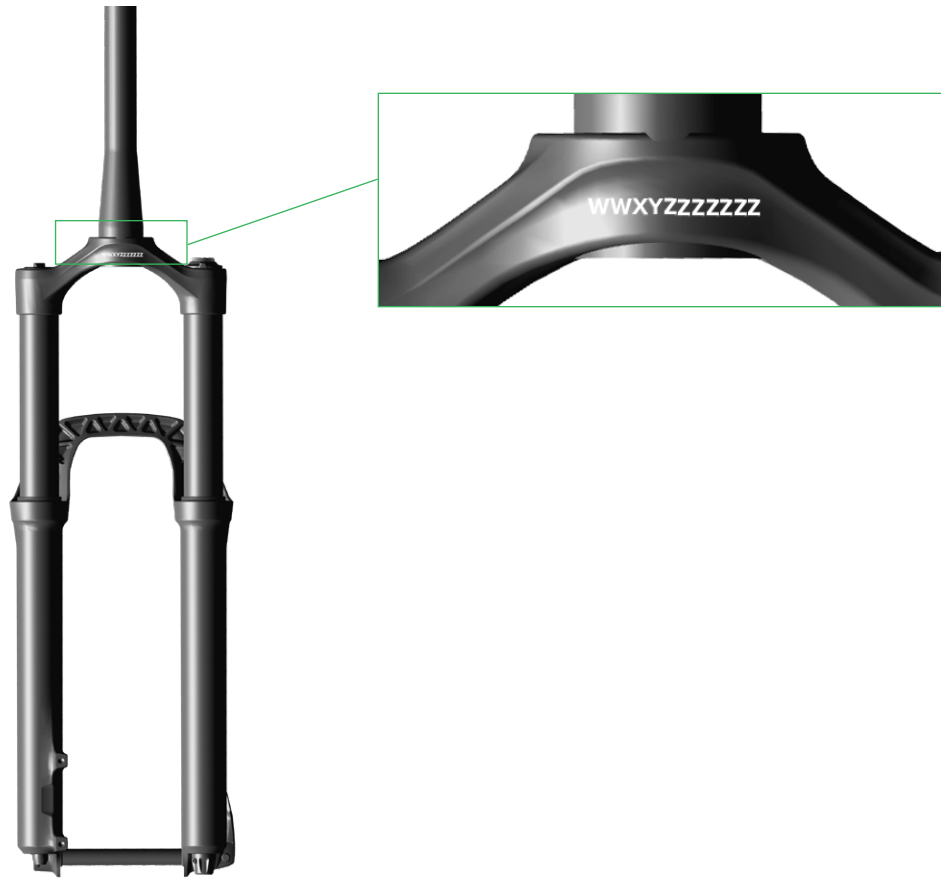


- The serial number is laser etched on the back side of the post, under the Minimum Insertion art.

Front Suspension

SID/ RS-1/ Reba/ Bluto/ Pike/ Lyrik/ Yari/ Revelation/ Recon Gold/ Sektor Gold and Silver

Serial Location after September 3, 2007

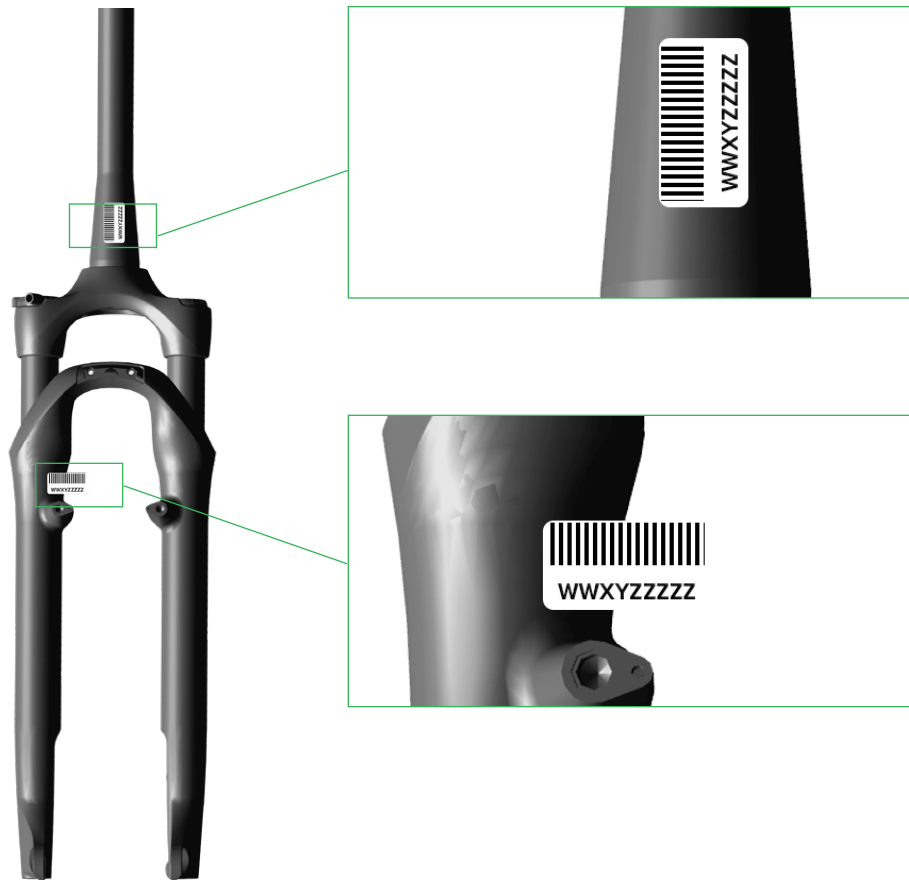


- The serial number is laser etched on the back of the crown. For RS1 and carbon fiber steerer tubes, there is a decal on the back side of the steerer tube.

Front Suspension

Paragon/ Paragon Silver/ Tora/ Dart/ XC 28/ XC 32/30 Gold and Silver/Recon Silver/ i-RIDE

Serial Location after September 3, 2007



- The serial number decals are located on the front of the steerer tube and the inside of the right lower leg.

Front Suspension

Dual Crown Fork- BoXXer/ Domain

Serial Location after September 3, 2007



- The serial number is located on the back of the upper crown and the inside of the lower leg.

Rear Suspension

Deluxe

Serial Location after July 29, 2016



Serial Location prior to July 29, 2016



- The serial number is laser etched on the back of the eyelet.

Rear Suspension

Super Deluxe

Serial Location after July 29, 2016



Serial Location prior to July 29, 2016



- The serial number is laser etched on the back of the eyelet.

Rear Suspension

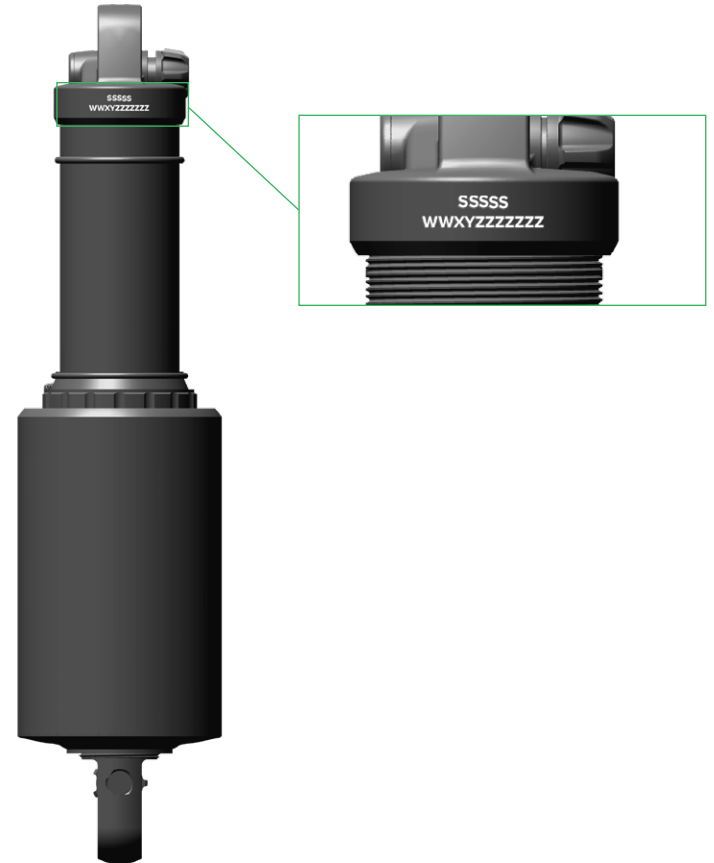
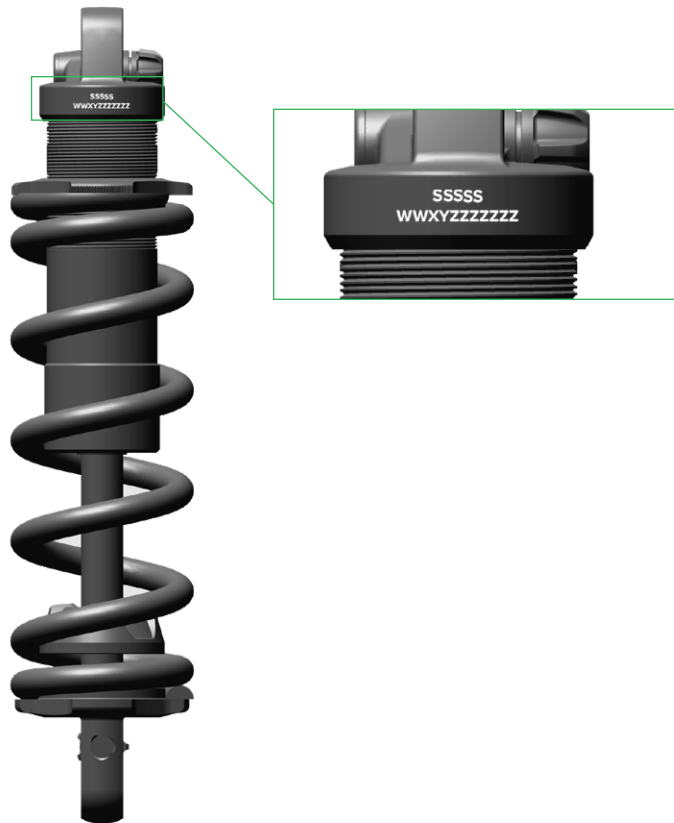
Super Deluxe Coil



- The serial number is laser etched on the back of the eyelet.

Rear Suspension

Vivid/ Vivid Air/ Kage

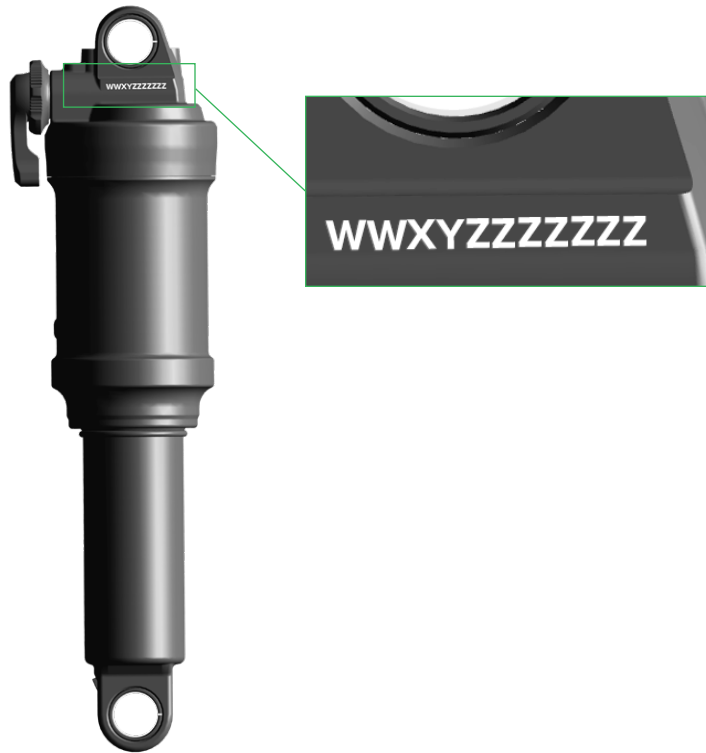


- The serial number is laser etched on the back of the eyelet.

Rear Suspension

Monarch/ Monarch Plus

Serial Location after July 22, 2013



Serial Location September 3, 2007 to July 22, 2013



- The serial number is laser etched directly under the eyelet or on the air can.

These are registered trademarks of SRAM, LLC:

1:1®, Accuwatt®, Avid®, AXS®, Bar®, Blackbox®, BoXXer®, DoubleTap®, Elita®, eTap®, Firecrest®, Firex®, Grip Shift®, GXP®, Hammerschmidt®, Holzfelder®, Hussefelt®, i-Motion®, Judy®, Know Your Powers®, NSW®, Omnium®, Pike®, PowerCal®, PowerLock®, PowerTap®, Qollector®, Quarq®, RacerMate®, Reba®, Rock Shox®, Ruktion®, Service Course®, ShockWiz®, SID®, Single Digit®, Speed Dial®, Speed Weaponry®, Spinscan®, SRAM®, SRAM APEX®, SRAM EAGLE®, SRAM FORCE®, SRAM RED®, SRAM RIVAL®, SRAM VIA®, Stylo®, Torpedo®, Truvativ®, TyreWiz®, Varicrank®, Velotron®, X0®, X01®, X-SYNC®, XX1®, Zed tech®, Zipp®

These are registered logos of SRAM, LLC:



These are trademarks of SRAM, LLC:

10K™, 1X™, 202™, 30™, 35™, 302™, 303™, 404™, 454™, 808™, 858™, 3ZERO MOTO™, ABLC™, AeroGlide™, AeroBalance™, AeroLink™, Airea™, Air Guides™, AKA™, AL-7050-TV™, Atmos™, Automatic Drive™, Automatix™, AxCad™, Axial Clutch™, Base™, BB5™, BB7™, BB30™, Bleeding Edge™, Blipbox™, BlipClamp™, BlipGrip™, Blips™, Bluto™, Bottomless Tokens™, Cage Lock™, Carbon Bridge™, Centera™, Charger 2™, Charger™, Charger Race Day™, Clickbox Technology™, Clics™, Code™, Cognition™, Connectamajig™, Counter Measure™, DD3™, DD3 Pulse™, DebonAir™, Deluxe™, Deluxe Re:Aktiv™, Descendant™, DFour™, DFour91™, Dig Valve™, DirectLink™, Direct Route™, DOT 5.1™, Double Decker™, Double Time™, Dual Flow Adjust™, Dual Position Air™, DUB™, DZero™, E300™, E400™, Eagle™, E-Connect4™, E-matic™, ErgoBlade™, ErgoDynamics™, ESP™, EX1™, Exact Actuation™, Exogram™, Flow Link™, FR-5™, Full Pin™, Gnar Dog™, Guide™, GX™, Hard Chrome™, Hexfin™, HollowPin™, Howitzer™, HRD™, Hybrid Drive™, Hyperfoil™, i-3™, Impress™, Jaws™, Jet™, Kage™, Komfy™, Level™, Lyrik™, MatchMaker™, Maxle™, Maxle 360™, Maxle DH™, Maxle Lite™, Maxle Lite DH™, Maxle Stealth™, Maxle Ultimate™, Micro Gear System™, Mini Block™, Mini Cluster™, Monarch™, Monarch Plus™, Motion Control™, Motion Control DNA™, MRX™, Noir™, NX™, OCT™, OmniCal™, OneLoc™, Paragon™, PC-1031™, PC-1110™, PC-1170™, PG-1130™, PG-1050™, PG-1170™, Piggyback™, Poploc™, Power Balance™, Power Bulge™, PowerChain™, PowerDomeX™, Powered by SRAM™, PowerGlide™, PowerLink™, Power Pack™, Power Spline™, Predictive Steering™, Pressfit™, Pressfit 30™, Prime™, Qalvin™, R2C™, RAIL™, Rapid Recovery™, Re:Aktiv ThruShaft™, Recon™, Reverb™, Revelation™, Riken™, Rise™, ROAM™, Roller Bearing Clutch™, RS-1™, Rush™, Sag Gradients™, Sawtooth™, SCT - Smart Coasterbrake Technology, Seeker™, Sektor™, SHIFT™, ShiftGuide™, Shorty™, Showstopper™, SIDLuxe™, Side Swap™, Signal Gear Technology™, SL™, SL-70™, SL-70 Aero™, SL-70 Ergo™, SL-80™, SL-88™, SLC2™, SL SPEED™, SL Sprint™, Smart Connect™, Solo Air™, Solo Spoke™, SpeedBall™, Speed Metal™, SRAM APEX 1™, SRAM Force 1™, SRAM RIVAL 1™, S-series™, Stealth-a-majig™, StealthRing™, Super-9™, Supercork™, Super Deluxe™, Super Deluxe Coil™, SwingLink™, TaperCore™, Timing Port Closure™, Tool-free Reach Adjust™, Top Loading Pads™, Torque Caps™, TRX™, Turnkey™, TwistLoc™, VCLC™, Vivid™, Vivid Air™, Vuka Aero™, Vuka Alumina™, Vuka Bull™, Vuka Clip™, Vuka Fit™, Wide Angle™, WiFLi™, X1™, X5™, X7™, X9™, X-Actuation™, XC™, X-Dome™, XD™, XD Driver Body™, XDR™, XG-1150™, XG-1175™, XG-1180™, XG-1190™, X-Glide™, X-GlideR™, X-Horizon™, XLoc Sprint™, XX™, Yari™, ZEB™, Zero Loss™



Specifications and colors subject to change without prior notice.

© 2021 SRAM, LLC

ASIAN HEADQUARTERS

SRAM Taiwan
No. 1598-8 Chung Shan Road
Shen Kang Hsiang, Taichung City
Taiwan R.O.C.

WORLD HEADQUARTERS

SRAM LLC
1000 W. Fulton Market, 4th Floor
Chicago, Illinois 60607
U.S.A.

EUROPEAN HEADQUARTERS

SRAM Europe
Paasbosweg 14-16
3862ZS Nijkerk
The Netherlands