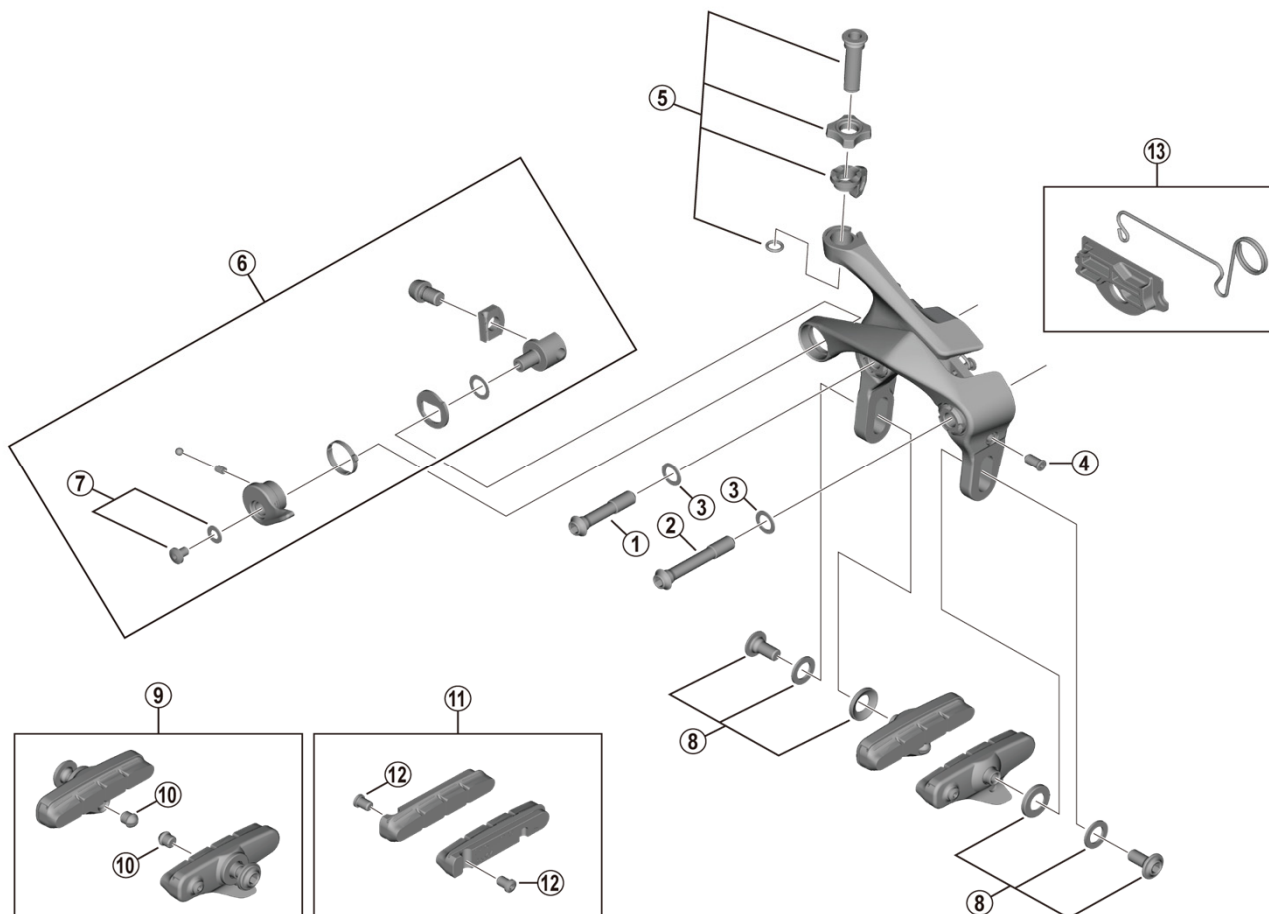


ULTEGRA Caliper Brake BR-R8110-RS



BR-R8010-RS

ITEM NO.	SHIMANO CODE NO.	DESCRIPTION	INTERCHANGEABILITY	
1	Y8F902000	Fixing screw Y (M6 x 28.9)	A	
2	Y8F903000	Fixing screw C (M6 x 36.8)	A	
3	Y8BC08000	Arm washer	A	
4	Y8PS14000	EC-screw	A	
5	Y8PP98010	Cable adjusting screw unit	A	
6	Y8RU98010	Quick release assembly	A	
7	Y8PP98030	Quick release fixing screw and washer	A	
8	Y8G698090	Shoe fixing screw unit (M5 x 11.2)	A	
9	Y2J398010	R55C4 Cartridge-type brake shoe set (pair)	B	
10	Y8FA16000	Tire guide	A	
	Y8L298060	R55C4 Cartridge-type brake shoes and fixing bolts (pair)	A	
11	Y8L298070	R55C4 Cartridge-type brake shoes and fixing bolts (pair) for carbon rim	A	
	Y8PP98060	R55C4-A Cartridge-type brake shoes (-1 mm thinner shoe) and fixing bolts (pair) for carbon rim	A	
12	Y8L227000	Fixing screw (M4 x 5.5)	A	
13	Y8L398040	Assembly jig	A	

A: Same parts.

B: Parts are usable, but differ in materials, appearance, finish, size, etc.

Absence of mark indicates non-interchangeability.

Specifications are subject to change without notice.

Aug.-2021-4909

© Shimano Inc. I

SHIMANO