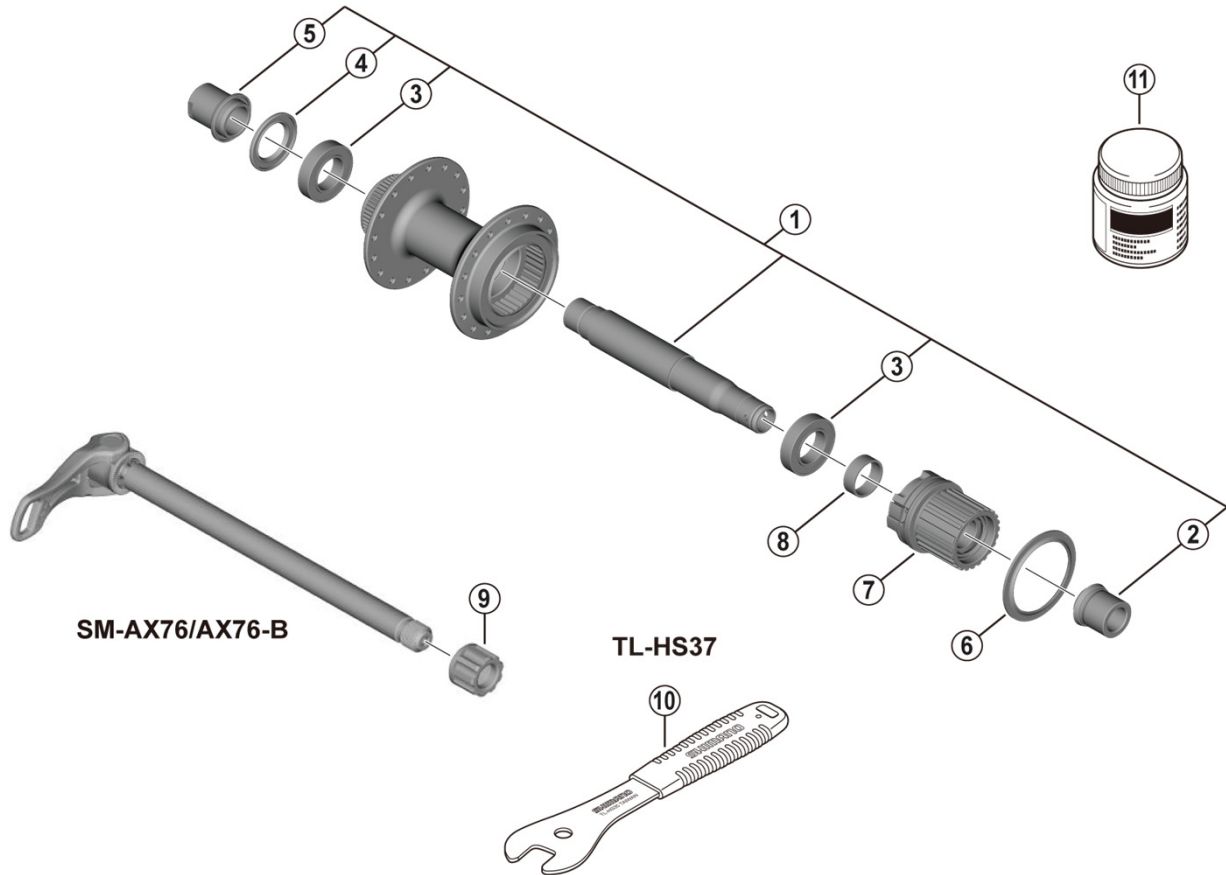


Freehub (12-speed) For Disc Brake

# FH-MT410 FH-MT410-B

## SM-AX76 SM-AX76-B



• Over Lock Nut Dimension: 142 mm for FH-MT410 / 148 mm for FH-MT410-B

ITEM NO.	SHIMANO CODE NO.	DESCRIPTION	FH-MT410		FH-MT510	
			INTERCHANGEABILITY			
1	Y3HU98010	Complete hub axle for FH-MT410				
	Y3HV98010	Complete hub axle for FH-MT410-B				
2	Y3HV98020	Right hand cap unit				
3	Y3HV48000	Ball bearing				
4	Y26D10000	Seal ring				
5	Y3HV98030	Left hand nut with dust cover				
6	Y3GD10000	Outer seal cap			A	
* 7	Y3HU98020	Freewheel body unit				
8	Y3HV47000	Spacer				
9	Y27Y02000	Fixing nut (M12)	A	A		
10	Y23098030	TL-HS37 Hub spanner (17 mm)	A	A		
11	Y3B980000	Grease for freehub 50 g			A	

A: Same parts.

B: Parts are usable, but differ in materials, appearance, finish, size, etc.

Absence of mark indicates non-interchangeability.

Specifications are subject to change without notice.

Apr.-2021-4716A

© Shimano Inc. |

# SHIMANO