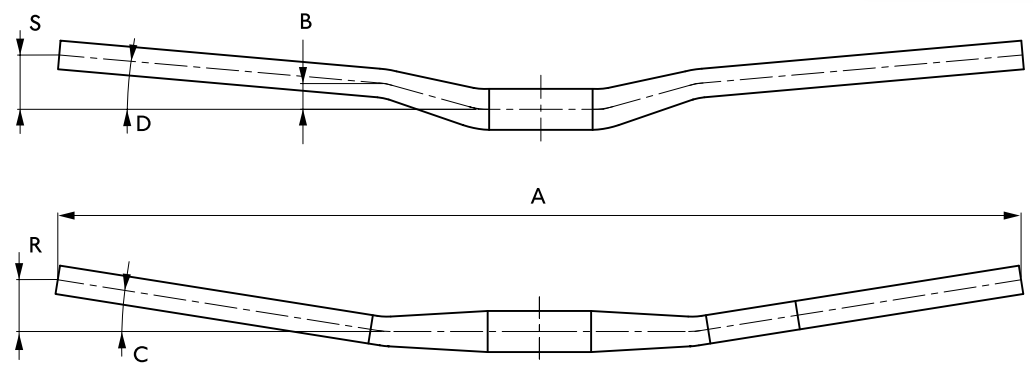
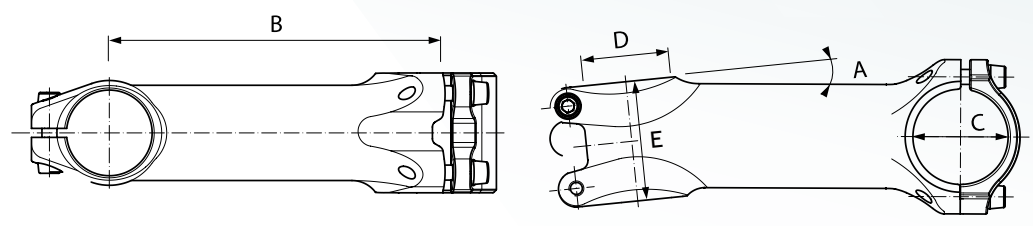
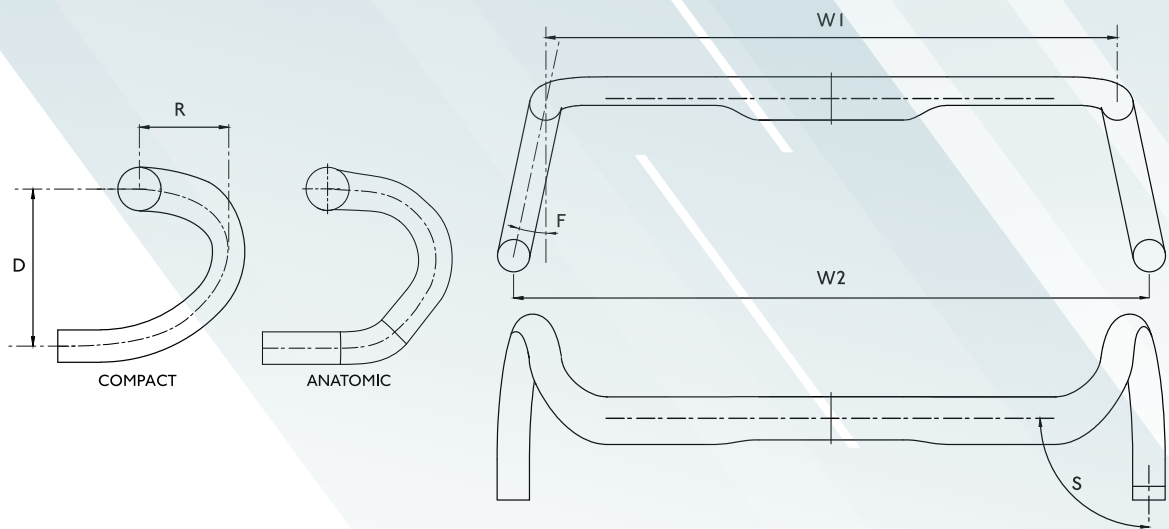
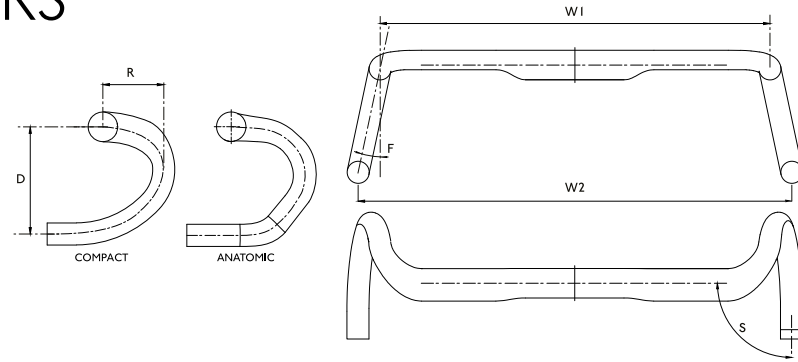


# SPECS & DIMENSIONS





# ROAD HANDLEBARS



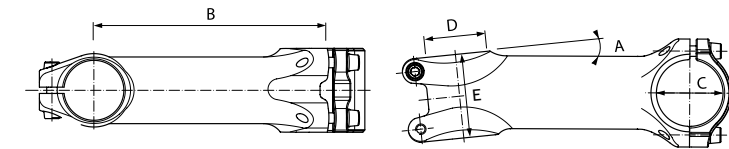
Model	Stealth EVO	Vibe SuperLight	Vibe Aero SuperLight	Vibe Carbon
Material	UD CARBON	UD T800 & M4075 HM CARBON	UD T800 & M4075 HM CARBON	UD T800 CARBON
Top shape	ERGO	ROUND	AERO	ROUND
Drop shape	COMPACT	COMPACT	COMPACT	COMPACT / ANATOMIC
Width C-C (W1) [cm]	40 - 42 - 44	40 - 42 - 44	38 - 40 - 42	40 - 42 - 44
Drop (D) [mm]	130	130	130	130
Reach (R) [mm]	69	80	80	80
Flare (F) [degrees]	0	0	0	0
Sweep (S) [degrees]	0	0	0	0
Width drops C-C (W2) [cm]	40 - 42 - 44	40 - 42 - 44	38 - 40 - 42	40 - 42 - 44
Cable routing	SEMI INTEGRATED	FULL INTERNAL (Di2)	FULL INTERNAL (Di2)	FULL INTERNAL (Di2)
Diameter [mm]	31.8	31.8	31.8	31.8
Weight (from) [grams]	410	195	230	220
Colour	BLACK	BLACK	BLACK	BLACK
Stem length [mm]	90 - 100 - 110 - 120 - 130	N/A	N/A	N/A
Stem angle [degree]	8	N/A	N/A	N/A

Model	Vibe Alloy	Vibe Aero Carbon	Vibe Aero Alloy	Vibe Aero Alloy Pursuit
Material	AL6066	UD T800 CARBON	AL6066	AL6066
Top shape	ROUND	AERO	AERO	AERO
Drop shape	COMPACT / ANATOMIC	COMPACT	COMPACT	COMPACT
Width C-C (W1) [cm]	40 - 42 - 44	38 - 40 - 42	38 - 40 - 42	36 - 38 - 40
Drop (D) [mm]	130	130	130	130
Reach (R) [mm]	80	80	78	101 - 103 - 105
Flare (F) [degrees]	0	0	6	10
Sweep (S) [degrees]	0	0	0	0
Width drops C-C (W2) [cm]	40 - 42 - 44	38 - 40 - 42	41 - 43 - 45	40 - 42 - 44
Cable routing	FULL INTERNAL (Di2)	FULL INTERNAL (Di2)	INTERNAL	INTERNAL
Diameter [mm]	31.8	31.8	31.8	31.8
Weight (from) [grams]	240	245	330	330
Colour	BLACK	BLACK	BLACK	BLACK

Model	PLT Carbon	PLT Ergo Carbon			PLT	PLT Ergo
Material	UD T700 CARBON	UD T700 CARBON			AL2014	AL2014
Top shape	ROUND	ERGO			ROUND TAPERED	ERGO
Drop shape	COMPACT	COMPACT ERGO			COMPACT	COMPACT
Width C-C (W1) [cm]	38 - 40 - 42 - 44	36 - 38 -	40 - 42	44 - 46	36 - 38 - 40 - 42 - 44 - 46	38 - 40 - 42 - 44
Drop (D) [mm]	130	120	130	140	128	128
Reach (R) [mm]	80	68	73	78	75	75
Flare (F) [degrees]	0	4			0	0
Sweep (S) [degrees]	0	0			0	0
Width drops C-C (W2) [cm]	38 - 40 - 42 - 44	38 - 40	42 - 44	46 - 48	36 - 38 - 40 - 42 - 44 - 46	38 - 40 - 42 - 44
Cable routing	EXTERNAL	EXTERNAL			EXTERNAL	EXTERNAL
Diameter [mm]	31.8	31.8			31.8	31.8
Weight (from) [grams]	220	195			255	275
Colour	BLACK	BLACK			BLACK	BLACK

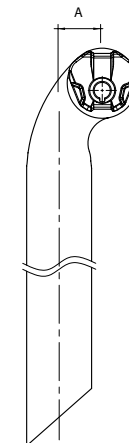
Model	LT	LT Ergo	LT Gravel
Material	AL 6061	AL 6061	AL 6061
Top shape	ROUND TAPERED	ERGO	ROUND TAPERED
Drop shape	COMPACT	COMPACT	COMPACT
Width C-C (W1) [cm]	38 - 40 - 42 - 44	40 - 42 - 44	40 - 42 - 44 - 46
Drop (D) [mm]	125	125	110
Reach (R) [mm]	70	70	65
Flare (F) [degrees]	0	0	10
Sweep (S) [degrees]	0	0	0
Width drops C-C (W2) [cm]	38 - 40 - 42 - 44	40 - 42 - 44	44 - 46 - 48 - 50
Cable routing	EXTERNAL	EXTERNAL	EXTERNAL
Diameter [mm]	31.8	31.8	31.8
Weight (from) [grams]	280	280	310
Colour	BLACK	BLACK	BLACK

# ROAD STEMS



Model	Vibe Carbon	Vibe Sprint	Vibe Alloy		PLT	LT	LT Adjust.
Material	UD CARBON	UD CARBON	AL7075		AL2014	AL6061	AL6061
Angle (A) [degrees]	± 8	-10	-10	-17		± 17	± 35
Length (B) [mm]	80 - 90 - 100 - 110 - 120 - 130	105 - 120 - 135	80 - 90 - 100 - 110 - 120 - 130	90 - 100 - 110 - 120 - 130	50 - 60 - 70 - 80 - 90 - 100 - 110 - 120 - 130	60 - 70 - 80 - 90 - 100 - 110 - 120	90 - 110
Bar diameter (C) [mm]	31.8	31.8	31.8		31.8	31.8	31.8
Steerer diameter (D)	1 1/8"	1 1/8"	1 1/8" - 1 1/4"		1 1/8"	1 1/8"	1 1/8"
Stack (E) [mm]	40	36.5	36.5		40	40	40
Weight (from) [grams]	120	195	120		130 (100)	148 (100MM)	255
Di2 integration	YES	NO	YES		NO	NO	NO
Colour	BLACK	BLACK	BLACK		BLACK	BLACK	BLACK

# ROAD SEATPOSTS

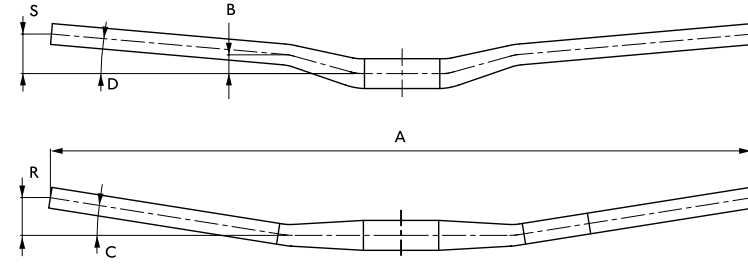


Model	Vibe carbon	Vibe alloy	PLT	LT
Material	UD CARBON	AL2014	AL7050	AL6061
Offset (A) [mm]	0 - 20	0 - 20	0 - 20	0 - 20
Clamp construction	1 BOLT SIDE CLAMP	1 BOLT SIDE CLAMP	1 BOLT SIDE CLAMP	1 BOLT SIDE CLAMP
Diameter [mm]	27.2 - 31.6	27.2 - 31.6	27.2 - 31.6	27.2 - 30.9 - 31.6
Length [mm]	400	350	400	400
Weight (from) [grams]	199	230	265	285
Di2 battery	YES, READY	YES, COMPATIBLE	YES, COMPATIBLE	YES, COMPATIBLE
Colour	BLACK	BLACK	BLACK	BLACK





# MTB HANDLEBARS



Model	Tharsis 3Five Flat	Tharsis 3Five Flat Top	Tharsis 3Five Carbon Mini Rise
Material	UD CARBON T800	UD CARBON T800	UD CARBON
Width (A) [mm]	720	740	780
Rise (B) [mm]	0	5	10
Backsweep (C) [degrees]	9	9	9
Upsweep (D) [degrees]	0	0	4
Stack (S) [mm]	0	5	29
Reach (R) [mm]	-37	-39	-42
Diameter [mm]	35	35	35
Weight [grams]	130	135	195
Di2 integration	NO	NO	NO
Colour	BLACK	BLACK	BLACK

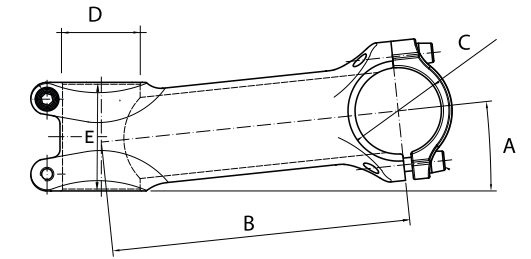
Model	Tharsis 3Five Carbon Rise	Tharsis 3Five Carbon High Rise	Tharsis 3Five Alloy
Material	UD CARBON	UD CARBON	AL7050
Width (A) [mm]	800	800	800
Rise (B) [mm]	20	30	20
Backsweep (C) [degrees]	9	9	9
Upsweep (D) [degrees]	4	4	4
Stack (S) [mm]	39	49	39
Reach (R) [mm]	-45	-48	-45
Diameter [mm]	35	35	35
Weight [grams]	198	210	250
Di2 integration	NO	NO	NO
Colour	BLACK	BLACK	BLACK

Model	Koryak Flat	Koryak Flat Top di2	Koryak LowRise	Koryak Riser	Koryak Riser di2
Material	AL2014	AL2014	AL2014	AL2014	AL2014
Width (A) [mm]	720	720	760	800	800
Rise (B) [mm]	0	5	8	20	20
Backsweep (C) [degrees]	9	9	9	9	9
Upsweep (D) [degrees]	N/A	N/A	4	4	4
Stack (S) [mm]	0	5	26	39	39
Reach (R) [mm]	-37	-39	-41	-45	-45
Diameter [mm]	31.8	31.8	31.8	31.8	31.8
Weight [grams]	225	247	222	274	274
Di2 integration	NO	YES	NO	NO	YES
Colour	BLACK	BLACK	BLACK	BLACK	BLACK

Model	Koryak E-Performance
Material	UD CARBON
Width (A) [mm]	800
Rise (B) [mm]	20
Backsweep (C) [degrees]	11
Upsweep (D) [degrees]	4
Stack (S) [mm]	50
Reach (R) [mm]	-49
Diameter [mm]	N/A
Weight [grams]	550
Di2 integration	STEPS / E-TUBE
Colour	BLACK

Model	LT flat	LT Low Rise	LT High Rise	FRS Low Rise	FRS High Rise
Material	AL6061	AL6061	AL6061	AL2014	AL2014
Width (A) [mm]	720	720	740	800	800
Rise (B) [mm]	0	20	40	20	40
Backsweep (C) [degrees]	9	9	9	9	9
Upsweep (D) [degrees]	0	4	5	5	5
Stack (S) [mm]	0	37	61	44	64
Reach (R) [mm]	-37	-34	-38	-44	-45
Diameter [mm]	31.8	31.8	31.8	31.8	31.8
Weight [grams]	280	330	340	345	350
Di2 integration	NO	NO	NO	NO	NO
Colour	BLACK	BLACK	BLACK	BLACK	BLACK

# MTB STEMS

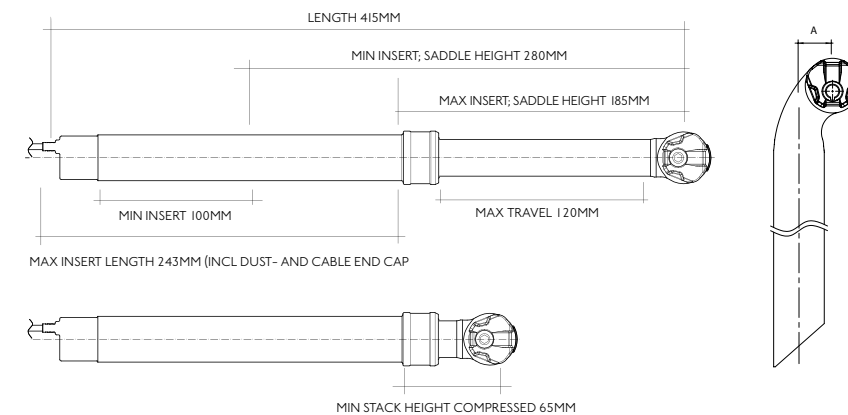


Model	THARSIS 3FIVE CNC	THARSIS 3FIVE DM	THARSIS SL ALLOY	Koryak
Material	AL7075	AL7075	AL7075	AL7075
Angle (A) [degrees]	0	0	± 9	± 6
Length (B) [mm]	35 - 45 - 45	45/50	60 - 70 - 80 - 90 - 100	70-110MM
Bar diameter (C) [mm]	35	35	35	31.8
Steerer diameter (D)	1 1/8"	1 1/8"	1 1/8"	1 1/8"
Stack (E) [mm]	40	40	40	41
Weight [grams]	150	125	150	137
Di2 integration	NO	NO	NO	YES
Colour	BLACK	BLACK	BLACK	BLACK

Model	LT	LT Adjustable	FRS	FRS DM
Material	AL6061	AL6061	AL7075	AL6061
Angle (A) [degrees]	± 6	± 17 ± 35	ADJUSTABLE	0
Length (B) [mm]	60 - 70 - 80 - 90 - 100 - 110 - 120	70 - 90	90 - 110	50 - 70
Bar diameter (C) [mm]	31.8	31.8	31.8	31.8
Steerer diameter (D)	1 1/8"	1 1/8"	1 1/8"	1 1/8"
Stack (E) [mm]	40	45	40	40
Weight [grams]	148 (100MM)	255	172	135
Di2 integration	NO	NO	NO	NO
Colour	BLACK	BLACK	BLACK	BLACK

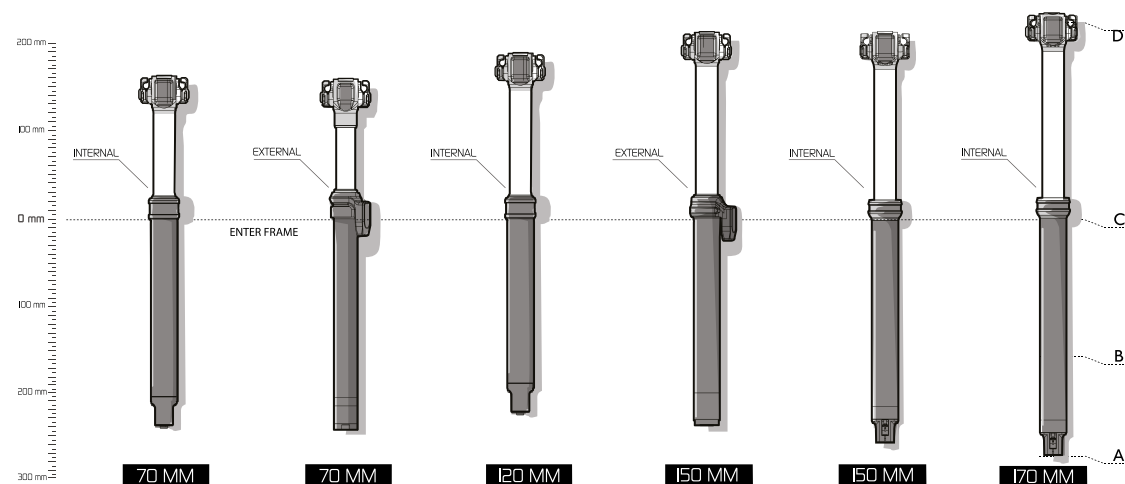
# MTB SEATPOSTS

Model	Tharsis XC	Koryak	LT	FRS
Material	UD CARBON	AL7050	AL6061	AL6061
Offset (A) [mm]	0	0 - 20	0 - 20	0
Clamp construction	1 BOLT SIDE CLAMP	1 BOLT SIDE CLAMP	1 BOLT SIDE CLAMP	1 BOLT SIDE CLAMP
Diameter [mm]	27.2 - 30.9 - 31.6	27.2 - 30.9 - 31.6	27.2 - 30.9 - 31.6	30.9 - 31.6
Length [mm]	400	400	400	350
Weight (from) [grams]	199	246	285	270
Di2 battery	YES, READY	YES, COMPATIBLE	YES, COMPATIBLE	NO
Colour	BLACK	BLACK	BLACK	BLACK





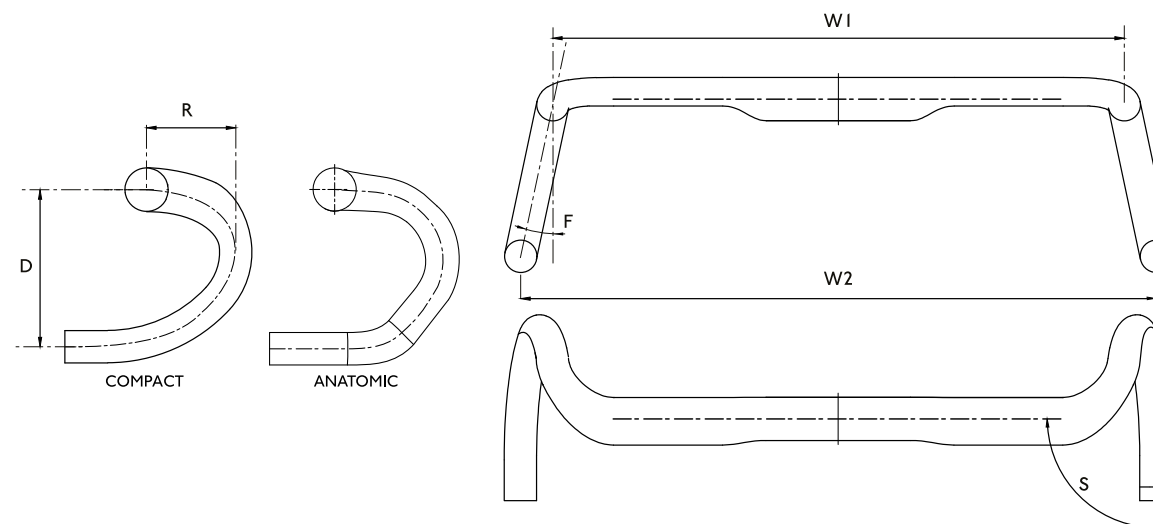
# PRO DROPPERPOSTS



Model	Discover	Koryak 70 External	Koryak 120 Internal	Koryak 150 external	Koryak 150 Internal	Koryak 170
<b>Material lower tube:</b>	AL6061	AL6061	AL6061	AL6061	AL6061	AL6061
<b>Shaft:</b>	AL6061	SAE 4130	AL6061	AL6061	AL6061	AL6061
<b>Bolts:</b>	STAINLESS STEEL	STAINLESS STEEL	STAINLESS STEEL	STAINLESS STEEL	STAINLESS STEEL	STAINLESS STEEL
<b>Offset (A) [mm]</b>	0	0	0	0	0	0
<b>Travel (B) [mm]</b>	70	70	120	150	150	170
<b>Diameter [mm]</b>	27.2	27.2	30.9 - 31.6	30.9 - 31.6	30.9 - 31.6 - 34.9	30.9 - 31.6
<b>Cable routing</b>	INTERNAL	EXTERNAL	INTERNAL	EXTERNAL	INTERNAL	INTERNAL
<b>Weight (A) [grams]</b>	417	610	520	625	508	538
<b>Colour</b>	BLACK	BLACK	BLACK	BLACK	BLACK	BLACK
<b>Lever type</b>	DROP BAR TYPE	UP/DOWN TYPE	UP/DOWN TYPE	UP/DOWN TYPE	ONE BY TYPE	ONE BY TYPE
<b>A &gt; D Total length</b>	350	400	415	450	467	507
<b>A &gt; B Minimum insert</b>	120	120	134	120	107	107
<b>A &gt; C Lower tube length</b>	249	249	230	244	259	279
<b>C &gt; D Saddle height at max. insertion</b>	134.5	151	185	206	208	228
<b>B &gt; D Saddle height at min. insertion</b>	236.5	280	280	330	360	400

Model	Tharsis
<b>Material lower tube:</b>	AL6061
<b>Shaft:</b>	AL7050
<b>Bolts:</b>	TITANIUM
<b>Offset (A) [mm]</b>	0
<b>Travel (B) [mm]</b>	100
<b>Diameter [mm]</b>	27.2 / 30.9 / 31.6
<b>Cable routing</b>	INTERNAL
<b>Weight (A) [grams]</b>	405
<b>Colour</b>	BLACK
<b>Lever type</b>	N/A
<b>A &gt; D Total length</b>	400
<b>A &gt; B Minimum insert</b>	113
<b>A &gt; C Lower tube length</b>	257
<b>C &gt; D Saddle height at max. insertion</b>	143
<b>B &gt; D Saddle height at min. insertion</b>	287

# PRO DISCOVER

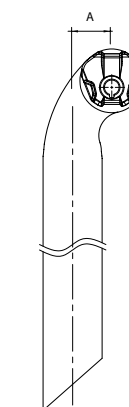


# HANDLEBARS

Model	Discover Carbon	Discover Alloy	Discover Big Flare	Discover Medium Flare
<b>Material</b>	UD CARBON	AL6066	AL6066	AL6066
<b>Top shape</b>	ERGO	ERGO	ROUND	ERGO
<b>Drop shape</b>	COMPACT	COMPACT	COMPACT	COMPACT
<b>Width C-C (W1) [cm]</b>	40 - 42 - 44	40 - 42 - 44	42 - 44	40 - 42 - 44
<b>Drop (D) [mm]</b>	105	105	110	115
<b>Reach (R) [mm]</b>	75	75	73	65
<b>Flare (F) [degrees]</b>	20	20	30	12
<b>Sweep (S) [degrees]</b>	5	0	0	0
<b>Width drops C-C (W2) [cm]</b>	50 - 52 - 54	50 - 52 - 54	55.5 - 57.5	45 - 47 - 49
<b>Cable routing</b>	FULL INTERNAL	SEMI INTERNAL	SEMI INTERNAL	SEMI INTERNAL
<b>Diameter [mm]</b>	31.8	31.8	31.8	31.8
<b>Weight (from) [grams]</b>	205	270	255	255
<b>Colour</b>	BLACK	BLACK	BLACK	BLACK
<b>Stem length [mm]</b>	N/A	N/A	N/A	N/A
<b>Stem angle [degree]</b>	N/A	N/A	N/A	N/A

# SEATPOST

Model	Discover Seatpost
<b>Material</b>	UD CARBON, DYNEEMA
<b>Offset (A) [mm]</b>	20
<b>Clamp construction</b>	1 BOLT SIDE CLAMP
<b>Diameter [mm]</b>	27.2 - 31.6
<b>Length [mm]</b>	400
<b>Weight (from) [grams]</b>	205
<b>Di2 battery</b>	YES, READY
<b>Colour</b>	BLACK / DYNEEMA



# STEM

Model	Discover
<b>Material</b>	AL7075
<b>Angle (A) [degrees]</b>	± 6
<b>Length (B) [mm]</b>	70 - 80 - 90 - 100 - 110
<b>Bar diameter (C) [mm]</b>	31.8
<b>Steerer diameter (D)</b>	1 1/8"
<b>Stack (E) [mm]</b>	41
<b>Weight [grams]</b>	140
<b>Di2 integration</b>	YES
<b>Colour</b>	BLACK

