

## 320 PIR SENSOR



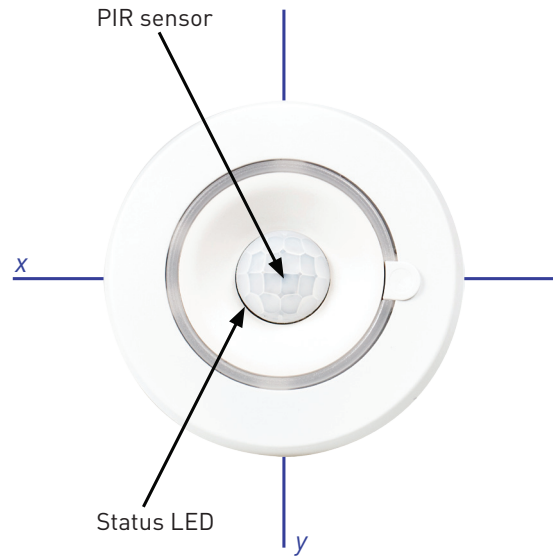
An easy-to-install PIR sensor with enhanced sensitivity and reliability in standard room heights.

The Helvar 320 is compatible with any DALI system. It has exceptional detection performance, meaning it's perfect in situations where movement might be subtle — such as a classroom under examination conditions, or a professional office environment.

Thanks to passive infra-red detection, lights stay on when people are present. And switch off when there's nobody there.

Because it's less reliant on movement detection than most compact sensors, you can cover a bigger target area with fewer units.

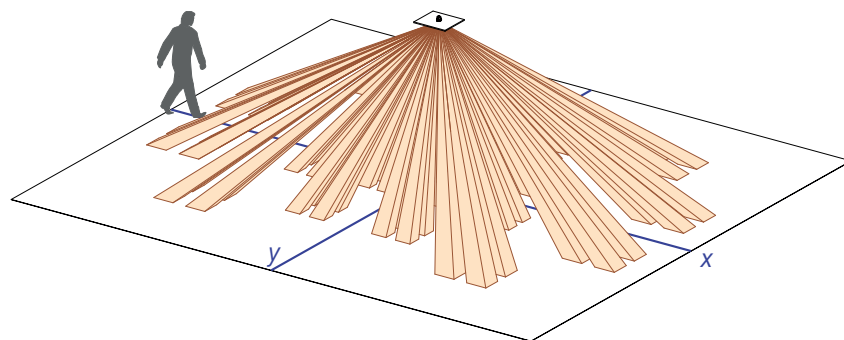
The 320 can be adjusted through our Designer or Toolbox software. You can mount the 320 into a ceiling void or onto a solid surface with our additional SBB-C mounting box.



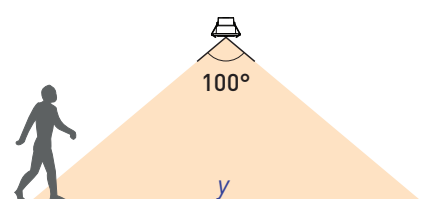
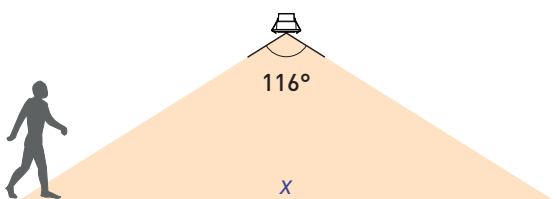
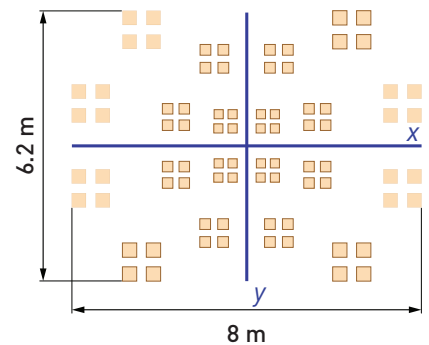
### Key features

- Excellent detection performance through high sensitivity and multidirectional coverage
- 10 mA DALI current consumption
- Compact and functional design
- Programmable in Designer and Toolbox

### Presence Detection Coverage at 2.5 m Height



Detection pattern at floor level for 2.5 m mounting height



## Technical Data

### Connections

DALI:	Removable connector block
Wire section:	0.5 mm <sup>2</sup> – 1.5 mm <sup>2</sup> solid or stranded
Cable rating:	All cables must be mains rated.

### Power

DALI supply input:	13 V – 22.5 V
DALI consumption:	10 mA

### Sensors

Presence detector:	Passive infrared (PIR)
--------------------	------------------------

### Mechanical data

Max. recommended mounting height:	4 m
Presence detection coverage area:	46 m <sup>2</sup> @ 2.5 mounting height
Mounting hole diameter:	52 mm – 55 mm
Bezel diameter:	66 mm
Recommended clearance depth:	10 cm (with cable cover, incl. 5 cm for cabling)
Material (casing):	Nonflammable PC/ABS (UL94-V0)
Finish/Colour:	Semi-matt / White RAL 9003
Weight:	66.3 g
IP code:	IP30 [IP20 cable cover]

### Operating and storage conditions

Ambient temperature:	0 °C to +50 °C
Relative humidity:	Max. 90 %, noncondensing
Storage temperature:	-10 °C to +70 °C

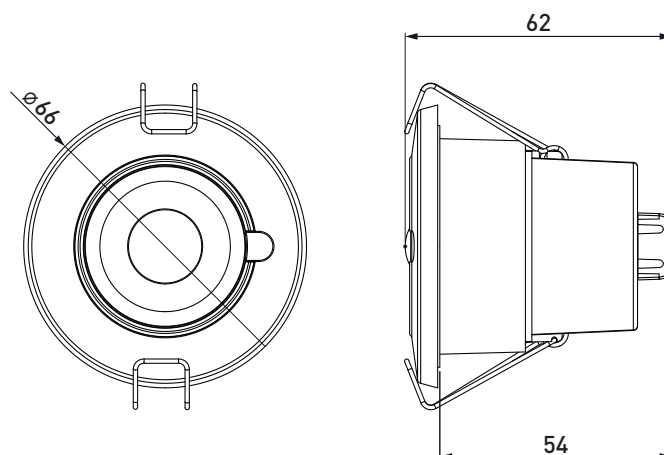
### Conformity and standards

EMC emission:	EN 55015
EMC immunity:	EN 61547
Safety:	EN 61347-2-11
Environment:	Complies with WEEE and RoHS directives.

### Software compatibility

Designer:	5.4 or later
Toolbox:	2.4.2 or later

## Dimensions (mm)



## Connections

