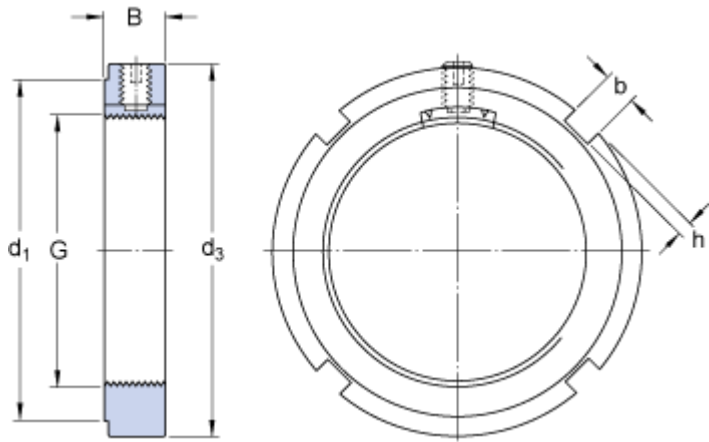


KMK 6

Dimensions



G	M 30x1.5	
d ₃	45	mm
B	9	mm
d ₁	41	mm
b	5	mm
h	2	mm

Calculation data

Axial static load carrying capacity	36.5	kN
-------------------------------------	------	----

Mass

Mass lock nut	0.06	kg
---------------	------	----

Mounting information

Associated spanner	HN 5-6
Grub (set) screw size	M5
Recommended grub screw tightening torque	4 N·m