

# ATTIX 7

Model:

ATTIX 751-01

ATTIX 751-11

ATTIX 751-21

ATTIX 751-61

ATTIX 751-71

ATTIX 761-21 XC

ATTIX 791-21 EC



Stykliste Dansk

20-08-2014

**Nilfisk**  
**ALTO**  
works for you

[www.nilfisk-alto.com](http://www.nilfisk-alto.com)

# Indholdsfortegnelse

ATTIX 7

<b>Cabinet 751-01</b>	<b>3</b>
<b>Cabinet 751-11, -21, 19 GALLON</b>	<b>5</b>
<b>Cabinet 751-61, -71, 19 GALLON AE</b>	<b>7</b>
<b>Cabinet 761-21 XC</b>	<b>9</b>
<b>Cabinet 19 GALLON AS/PE</b>	<b>11</b>
<b>Cabinet 791-21</b>	<b>13</b>
<b>Base, motor, filter 751-01, -11, -21, 19 GALLON</b>	<b>15</b>
<b>Base, motor, filter 751-61, -71, 19 GALLON AE</b>	<b>17</b>
<b>Base, motor 761-21 XC, 19 GALLON AS/PE</b>	<b>19</b>
<b>Filter, cleaning system 761-21 XC, 19 GALLON AS/PE</b>	<b>21</b>
<b>Base, motor, filter 791-21</b>	<b>23</b>
<b>Buzzer, flow sensor 791-21</b>	<b>25</b>
<b>Container 751-01, -11, -21, 19 GALLON</b>	<b>27</b>
<b>Container 751-61, -71, 19 GALLON AE</b>	<b>29</b>
<b>Container 761-21, 19 GALLON AS/PE</b>	<b>31</b>
<b>Container 791-21</b>	<b>33</b>
<b>Frame 751-01, -11, -21, -61, 19 GALLON, 19 GALLON</b>	<b>35</b>
<b>Frame 751-71</b>	<b>37</b>
<b>Frame 761-21, 19 GALLON AS/PE</b>	<b>39</b>
<b>Frame 791-21</b>	<b>41</b>
<b>Accessories 550, 751</b>	<b>43</b>
<b>Accessories 560, 761, 763</b>	<b>45</b>
<b>Accessories 590, 791</b>	<b>47</b>
<b>ANBEFALEDE RESERVEDELE</b>	<b>49</b>

# Cabinet 751-01

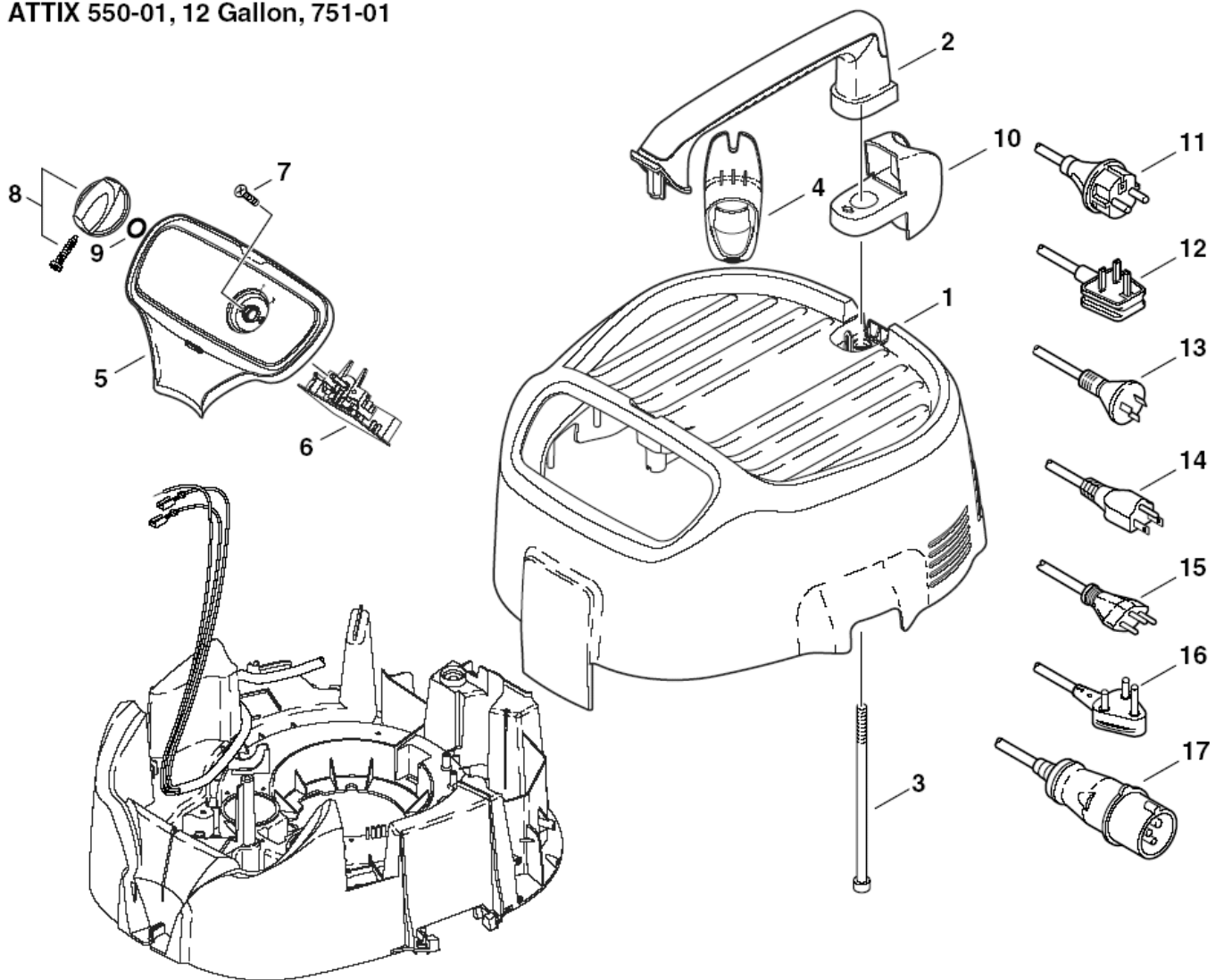
ATTIX 7

20-08-2014

StyMiste ID  
ATTIX75002

3

ATTIX 550-01, 12 Gallon, 751-01



# Cabinet 751-01

ATTIX 7

20-08-2014

StyMiste ID  
A11IX75002

4

Pos	Vare nr.	Ant	Beskrivelse	
0	302000517	1	CARDBOARD BOX 570X487X710	not shown
0	302002015	1	FOLDING BOX ATTIX 7 2.40 BC	not shown
1	107402652	1	Kabinet (Top)	
2	107402650	1	Løftehåndtag	
3	909100084	2	Skrue M6	
4	302000380	1	Kabelholder	
5	302000756	1	Switch Box	550-1, 12 GALLON, 751-01
6	302000825	1	ELECTRONIC SOFT START 100-	100-120V
6	302000826	1	Elektronik	220-240V
7	18274	2	Skrue M4X12	
8	909100204	1	Drejeknap	
9	9868	1	O-ring 10.0X2.5	
10		1	Rørholder	550-01, 12 GALLON
11	302000430	1	POWER CORD H05RR-F 3G0.75X8.0	*EU*
11	302000433	1	Power Cable Dk	*DK*
12	107400270	1	CORD H05RR-F 3G1.5 BS1 363 GB	*GB,230V*
13	302000434	1	POWER CORD H05RR-F 3G0.7	*AU*
14	302000435	1	POWER CORD SJTW-A AWG18/3X8.2M NEMA -US	*US*
15	302000432	1	POWER CORD H05RR-F 3G0.75X8.2M SNV -CH	*CH*
16	302000685	1	POWER CORD H05RR-F3G0.75X8.4 S	*ZA*
17	107400574	1	CORD H05BQ-F 3G1.0 CEE GB 110	*GB*

# Cabinet 751-11, -21, 19 GALLON

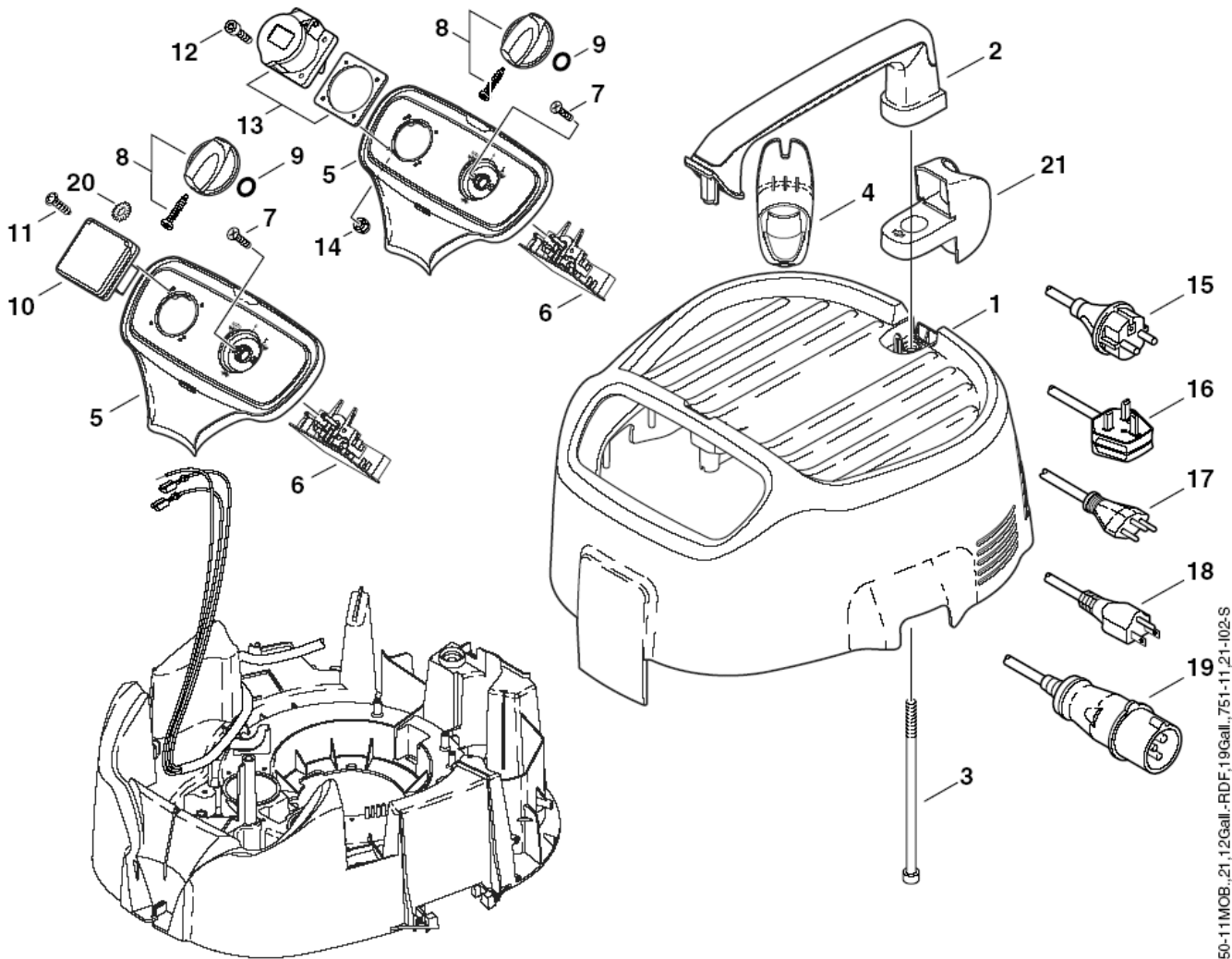
ATTIX 7

20-08-2014

StyMiste ID  
ATTIX75004

5

ATTIX 550-11 MOBIL, 550-21, 12 Gallon RDF, 751-11, 751-21, 19 Gallon



550-11 MOB., 21, 12 Gall., RDF, 19 Gall., 751-11, 21-102-S

# Cabinet 751-11, -21, 19 GALLON

ATTIX 7

20-08-2014

StyMiste ID  
A11IX75004

6

Pos	Vare nr.	Ant	Beskrivelse	
1	107402652	1	Kabinet (Top)	
2	107402650	1	Løftehåndtag	
3	909100084	2	Skrue M6	
4	302000380	1	Kabelholder	
5	302000757	1	Switch Box	550-21, 751-21, 12GALL.RDF
5	302001287	1	Switch Box Attix 5-7	550-11 MOBIL,751-11, 19GALL.
6	302000627	1	ELECTRONIC 110-120V SET1	100-120V, 12GALL.RDF
6	302000628	1	Elektronik M. Drejereg	220-240V, 550-21, 751-21
6	302000825	1	ELECTRONIC SOFT START 100-	100-120V, 751-11*GB,110/50*, 19GALL.
6	302000826	1	Elektronik	220-240V
7	18274	2	Skrue M4X12	
8	909100204	1	Drejeknap	
9	9868	1	O-ring 10.0X2.5	
10	302000683	1	Stikdåse	*DK*
10	302004034	1	Stikdåse 16A/250V Eu	*EU*
10	302004336	1	SOCKET 13A/250V GB	*GB,230V*
10	302004337	1	SOCKET 10A/250V CH	*CH*
10	302004338	1	SOCKET 15A/125V US/CSA	*US*
11	11256	2	Skrue Ka3,5X18	
12	50598	4	SCREW M5X20	*GB,110V*
13	107402842	1	OUTLET 2P AND PE 16A 110V	*GB,110V*
14	7417	4	HEXAGON THIN NUT	*GB,110V*
15	107402641	1	Power Cord H05Rr-F 3G1.5X 8X2	*EU*
15	107402642	1	Elkabel, DK	*DK*
16	107400270	1	CORD H05RR-F 3G1.5 BS1 363 GB	*GB,230V*
17	107400267	1	Cord H05Rr-F 3G1.0 Ch	*CH*
18	302004332	1	POWER CORD US	*US*
19	107400271	1	CORD H07BQ-F 3G2.5 GB	*GB,110V*
20	4021	2	SERRATED LOCK WASHER A4	*US*
21		1	Rørholder	550-11 MOBIL

# Cabinet 751-61, -71, 19 GALLON AE

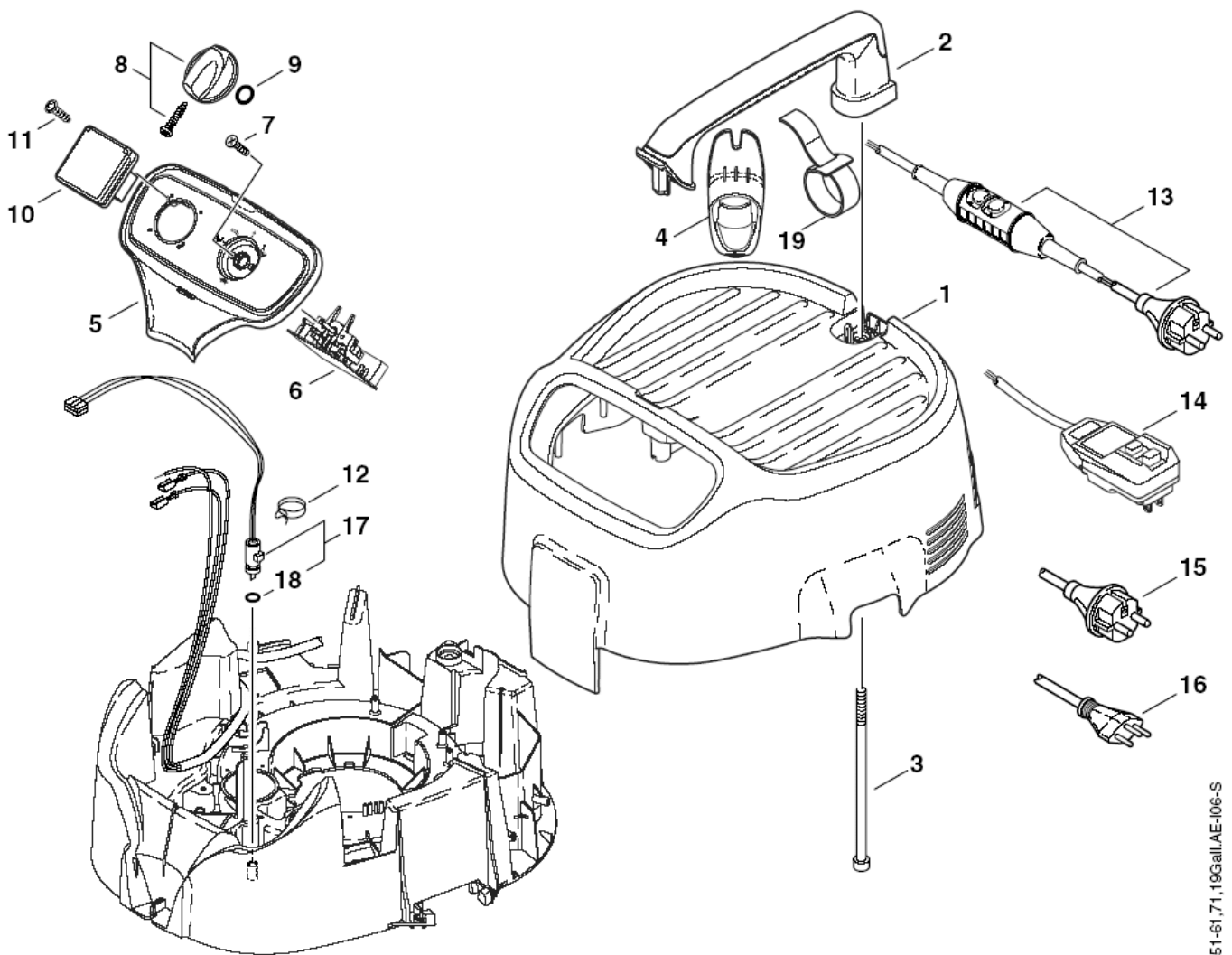
ATTIX 7

20-08-2014

StyMiste ID  
ATTIX75006

7

## ATTIX 751-61, 751-71, 19 Gallon AE



751-61,71,19Gall,AE-106-S

# Cabinet 751-61, -71, 19 GALLON AE

ATTIX 7

20-08-2014

StyMiste ID  
A11IX75006

8

Pos	Vare nr.	Ant	Beskrivelse	
1	107402652	1	Kabinet (Top)	
2	107402650	1	Løftehåndtag	
3	909100084	2	Skrue M6	
4	302000380	1	Kabelholder	751-61, 19 Gallon AE
5	302001589	1	Switch Box Attix 7-61	
6	302001711	1	ELECTRONIC 100-120V SET1	100-120V
6	302001712	1	Circuit Board Ec 220/240V	220-240V
7	18274	2	Skrue M4X12	
8	909100204	1	Drejeknap	
9	9868	1	O-ring 10.0X2.5	
10	302004034	1	Stikdåse 16A/250V Eu	
11	11256	2	Skrue Ka3,5X18	
12	107400578	1	HOSE CLAMP D10	
13	302001580	1	POWER CORD H07RN-F 3G1.5X10.7	751-71
14	302001708	1	POWER CORD SJTW-A AWG	19GALLON AE
15	107402641	1	Power Cord H05Rr-F 3G1.5X 8X2	751-61*EU*
15	107402642	1	Elkabel, DK	751-61*DK*
16	107400267	1	Cord H05Rr-F 3G1.0 Ch	751-61*CH*
17	107402655	1	Temperature Sensor Kit	
18	55416	1	O-RING 4.0x1.5 NBR70	
19	302001611	1	CLAMPING TAPE ATTIX 7	751-71



# Cabinet 761-21 XC

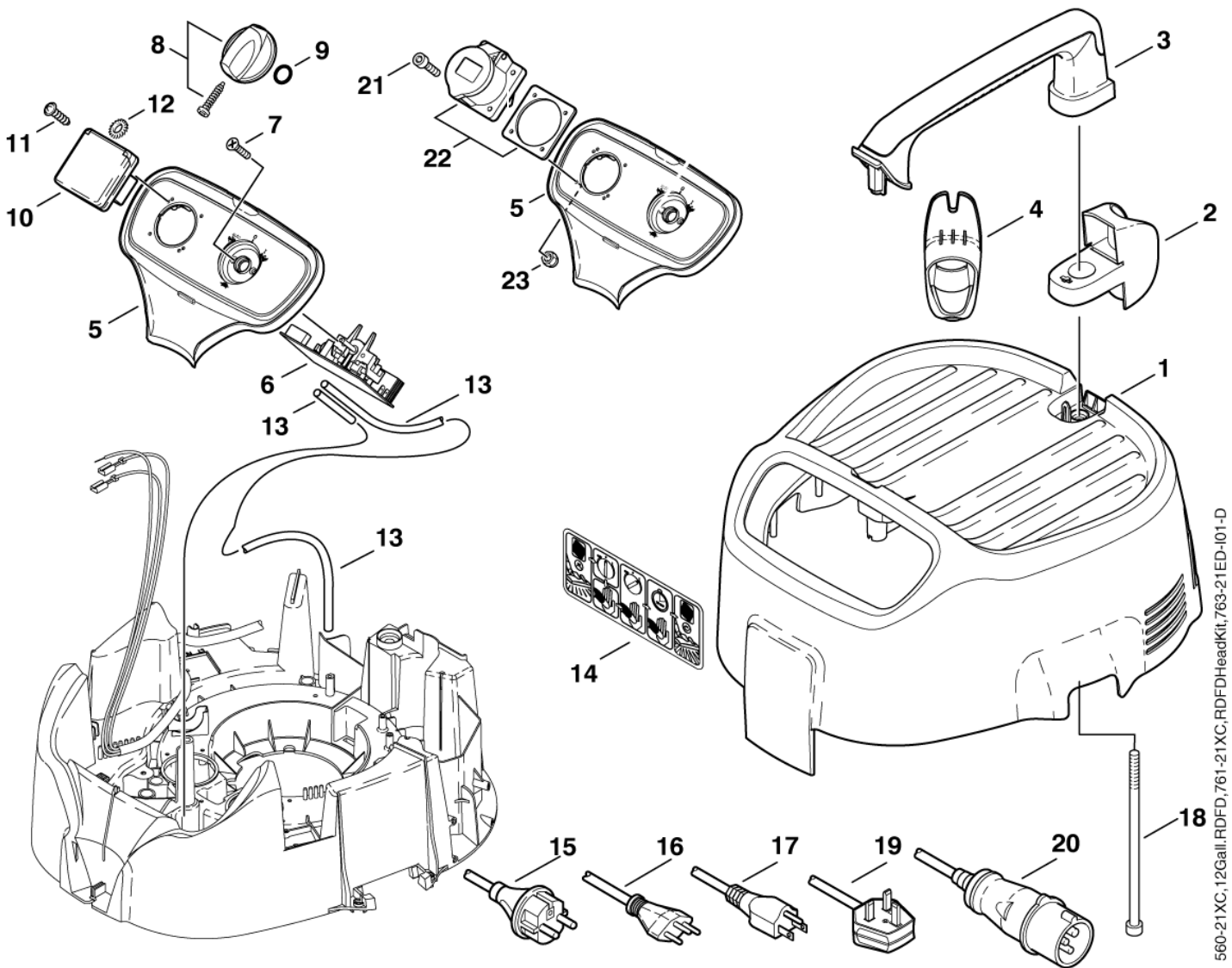
ATTIX 7

20-08-2014

StyMiste ID  
ATTIX76002

9

ATTIX 560-21 XC, 12 Gallon RDFD, RDFD Head Kit, 761-21 XC, 763-21 ED



560-21XC, 12Gall. RDFD, 761-21XC, RDFD HeadKit, 763-21ED-I01-D

# Cabinet 761-21 XC

ATTIX 7

20-08-2014

StyMiste ID  
A11IX7600Z

10

Pos	Vare nr.	Ant	Beskrivelse	
1	107402652	1	Kabinet (Top)	
2		1	Rørholder	560-21XC, 12GALL.RDFD
3	107402650	1	Løftehåndtag	
4	302000380	1	Kabelholder	
5	302000757	1	Switch Box	
6	302000852	1	ELECTRONIC 120V SET1	100-120V
6	302000853	1	Print 230V Sæt	220-240V
7	18274	2	Skrue M4X12	
8	909100204	1	Drejeknap	
9	9868	1	O-ring 10.0X2.5	
10	302000683	1	Stikdåse	*DK*
10	302004034	1	Stikdåse 16A/250V Eu	*EU*
10	302004336	1	SOCKET 13A/250V GB	*GB,230V*
10	302004337	1	SOCKET 10A/250V CH	*CH*
10	302004338	1	SOCKET 15A/125V US/CSA	*US*
11	11256	2	Skrue Ka3,5X18	
12	4021	2	SERRATED LOCK WASHER A4	*US*
13	11379	1	Hose Ø3X1,5	* SEE NOTE
14	302000824	1	Label	
15	107402641	1	Power Cord H05Rr-F 3G1.5X 8X2	*EU*
15	107402642	1	Elkabel, DK	*DK*
16	107400267	1	Cord H05Rr-F 3G1.0 Ch	*CH*
17	302004332	1	POWER CORD US	*US*
18	909100084	2	Skrue M6	
19	107400270	1	CORD H05RR-F 3G1.5 BS1 363 GB	*GB,230V*
20	107400271	1	CORD H07BQ-F 3G2.5 GB	*GB,110V*
21	50598	4	SCREW M5X20	*GB,110V*
22	107402842	1	OUTLET 2P AND PE 16A 110V	*GB,110V*
23	7417	4	HEXAGON THIN NUT	*GB,110V*

\* NOTE: PLEASE INDICATE LENGTHS IN METRES WHEN ORDERING



# Cabinet 19 GALLON AS/PE

ATTIX 7

20-08-2014

StyMiste ID  
A11IX76004

12

Pos	Vare nr.	Ant	Beskrivelse	
2	107402650	1	Løftehåndtag	
3	302000824	1	Label	
4	302000380	1	Kabelholder	
5		1	SWITCH BOX -31 ATTIX 5	560-31XC, 12GALLON AS/PE
5	302001590	1	SWITCH BOX	19GALLON AS/PE2
6	302000852	1	ELECTRONIC 120V SET1	100-120V
6	302000853	1	Print 230V Sæt	220-240V
7	18274	2	Skrue M4X12	
8	909100204	1	Drejeknap	
9	9868	1	O-ring 10.0X2.5	
10	302001185	1	SOCKET 10A/250V AU	*AU*
10	302004034	1	Stikdåse 16A/250V Eu	*EU*
10	302004336	1	SOCKET 13A/250V GB	*GB,230V*
10	302004338	1	SOCKET 15A/125V US/CSA	*US*
11	11256	2	Skrue Ka3,5X18	
12	4021	2	SERRATED LOCK WASHER A4	*US*
13	11379	1	Hose Ø3X1,5	
14	107402622	1	FLOW SENSOR KIT	
15		1	COUPLING MALE G1/4	560-31XC
16		1	COUPLING FEMALE G1/4	560-31XC
17		2	NIPPLE G1/4-R1/4	12GALLON AS/PE
18	107402641	1	Power Cord H05Rr-F 3G1.5X8X2	*EU*
19	107400270	1	CORD H05RR-F 3G1.5 BS1 363 GB	*GB,230V*
20	302004332	1	POWER CORD US	*US*
21	909100084	2	Skrue M6	
22	302004333	1	POWER CORD H05RR-F 3G1.5X8.4 AS3112 -AU	*AU*
23	24738	2	SCREW KA35X 8 WN1411	19GALLON AS/PE2
24	302001681	1	ANGLE 1.5 100X70X40X32.5 ST	19GALLON AS/PE2
25	302001678	1	AIR MANIFOLD ASSY. SET	19GALLON AS/PE2

# Cabinet 791-21

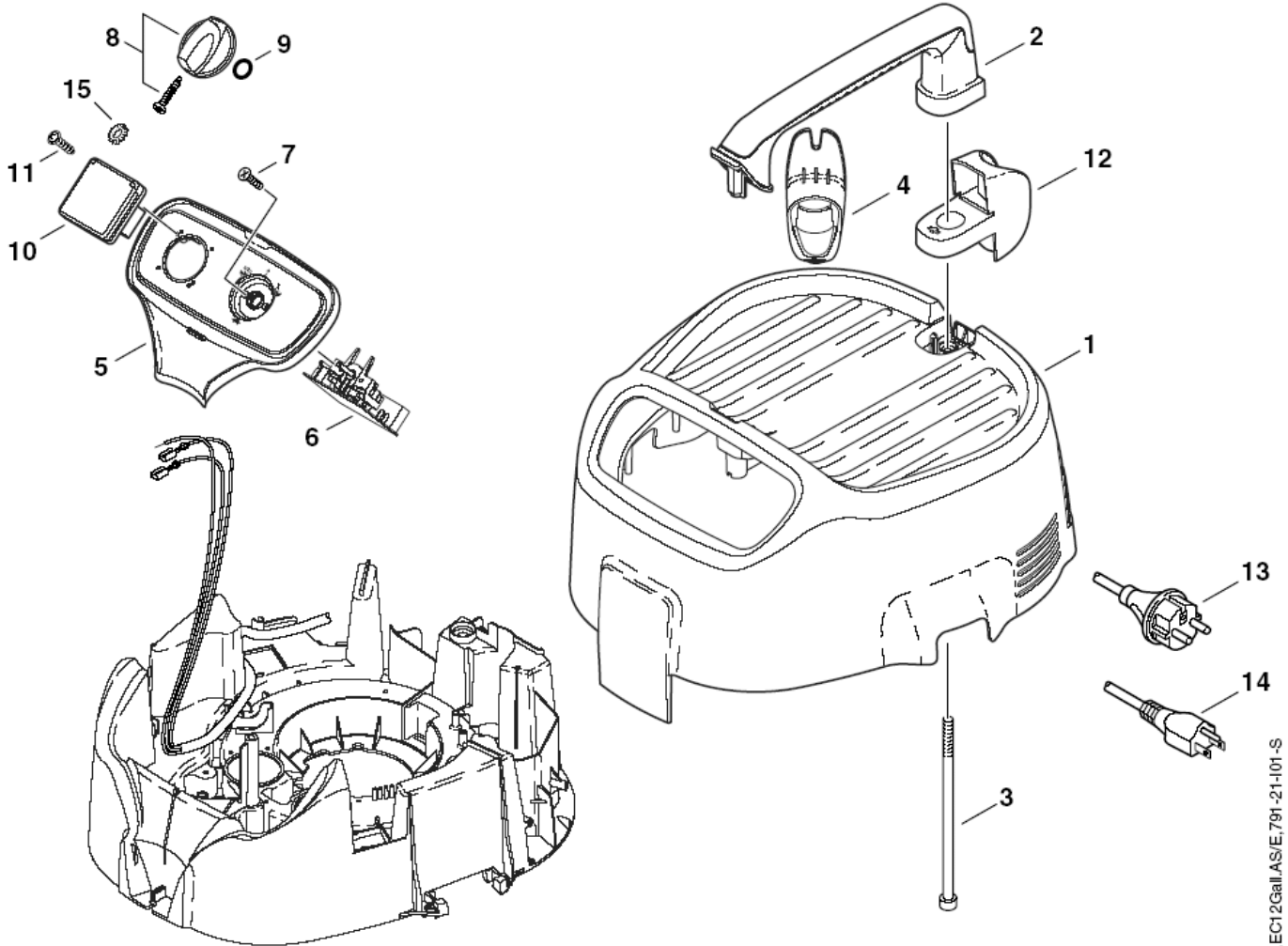
ATTIX 7

20-08-2014

StyMiste ID  
ATTIX79002

13

ATTIX 590-21, EC 12 Gallon AS/E, 791-21



590-21, EC12Gall, AS/E, 791-21-101-S

# Cabinet 791-21

ATTIX 7

20-08-2014

StyMiste ID  
A111X79002

14

Pos	Vare nr.	Ant	Beskrivelse	
1	107402652	1	Kabinet (Top)	
2	107402650	1	Løftehåndtag	
3	909100084	2	Skrue M6	
4	302000380	1	Kabelholder	
5	302000757	1	Switch Box	
6		1	ELECTRONIC EA.W.SPEED EC	EC 12GALLON AS/E
6	302001425	1	Electronic Ea.W.Speed Ec	590-21, 791-21
7	18274	2	Skrue M4X12	
8	909100204	1	Drejeknap	
9	9868	1	O-ring 10.0X2.5	
10	302004034	1	Stikdåse 16A/250V Eu	*EU* -590-21, 791-21
10		1	SOCKET 15A/125V US/CSA	*US*-EC 12GALLON AS/E
11	11256	2	Skrue Ka3,5X18	
12		1	Rørholder	590-21, EC 12GALLON AS/E
13	107402641	1	Power Cord H05Rr-F 3G1.5X 8X2	*EU* -590-21, 791-21
14		1	POWER CORD US	*US* -EC 12GALLON AS/E
15	4021	1	SERRATED LOCK WASHER A4	

# Base, motor, filter 751-01, -11, -21, 19 GALLO

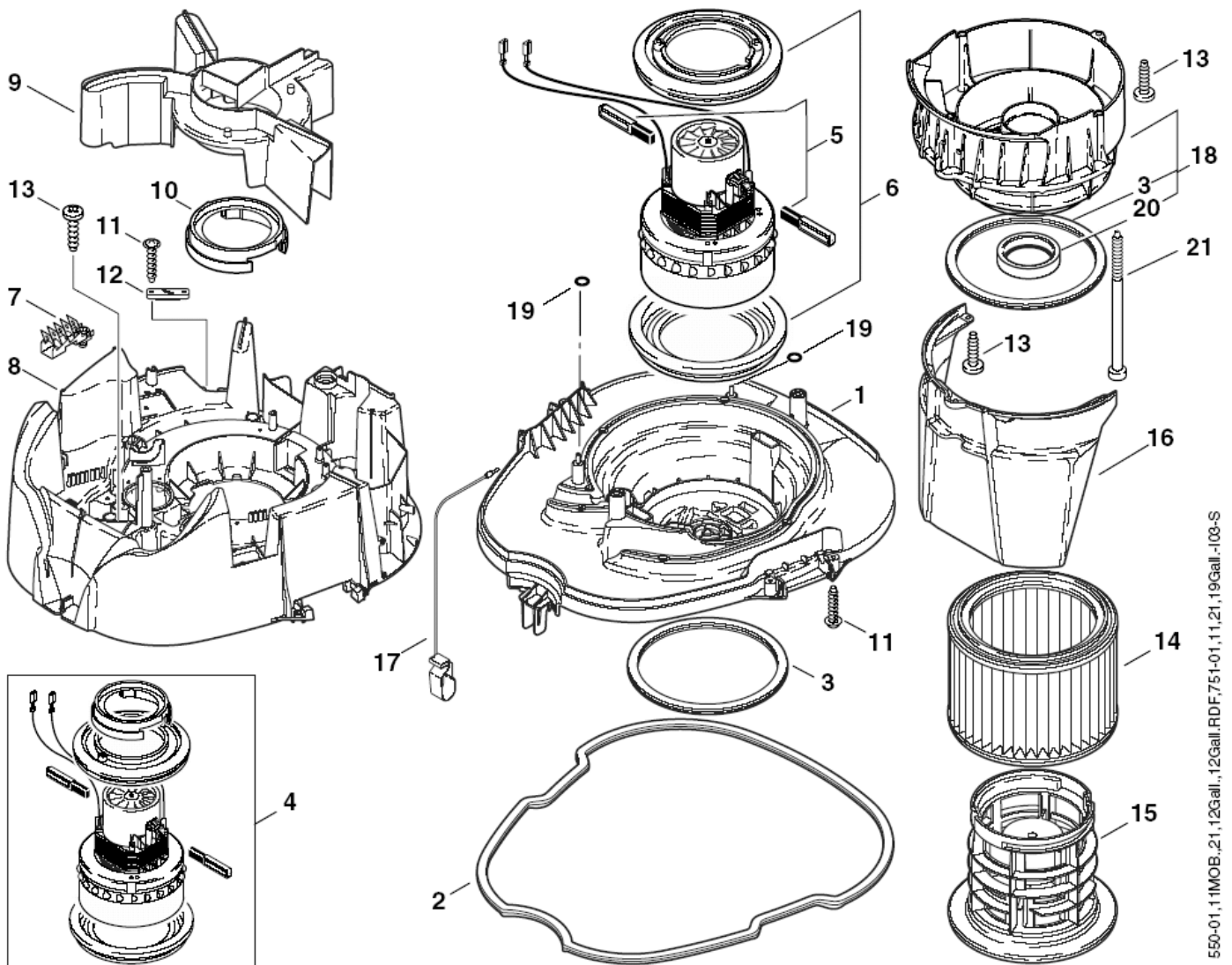
20-08-2014

StyMiste ID  
ATTIX75008

ATTIX 7

15

ATTIX 550-01, 550-11 MOBIL, 550-21, 12 Gallon, 12 Gallon RDF, 751-01, 751-11, 751-21, 19 Gallon



550-01,11MOB.,21,12Gall.,12Gall.,RDF,751-01,11,21,19Gall.-103-S

# Base, motor, filter 751-01, -11, -21, 19 GALLO

ATTIX 7

20-08-2014

StyMiste ID

ATTIX75008

16

Pos	Vare nr.	Ant	Beskrivelse	
1	302000372	1	Plade ATTIX 5	
2	302000637	1	Tætning F. Beholder ATTIX	
3	302000460	1	Tætning F. Filter Attix	
4	26783	1	MOTOR 100V 1200W	100V/1200W
4	26784	1	Motor 120V 1200W	110-120V/1200W
4	26785	1	MOTOR 120V 1000W	120V/1000W
4	49594	1	Motor 220V 1200W	220-240V/1200W
5	26774	1	"Kulsæt ""M"" "	FOR IDENTIF.LETTER "M"
5	26775	1	"Kulsæt ""L"" "	FOR IDENTIF.LETTER "L"
5	49625	1	Kulsæt C	FOR IDENTIF. LETTER "C"
6	28875	1	"Motorpakningssæt ""L""+"M"" "	FOR IDENTIF.LETTER "L"+"M"
6	29205	1	SEAL	FOR IDENTIF. LETTER "L"+"M"
6	42538	1	"Motorpakningssæt ""C"" "	FOR IDENTIF. LETTER "C"
6	61167	1	MOTOR BEARING RING SET EC	FOR IDENTIF. LETTER "C"
7	302000755	1	TERMINAL STRIP 6 FH63X08 16A	
8	107402638	1	Plate Chuck Attix 550 Pp Kit	
9	302000373	1	Luftfordeler ATTIX 5	
10		1	COLLAR 55 SHORE A EPDM	12GALL., 12GALL. RDF, 19GALL.
10	47036	1	Gummipakning	
11	11256	6	Skrue Ka3,5X18	
12	5697	1	STRAP 3X8X33	
13	909100138	10	Skrue	
14	11753	1	Filterelement M-klasse	*ZA*
14	302000490	1	Filterelement PET-fleece M-klasse	
15	107402646	1	Filter Support Cage ATTIX Pp	
16	302000379	1	Beskyttelsesplade	
17	302000823	1	CONTACT SPRING 41.8X14 AS BR	*GB,230V*
17	61174	1	Jordkabel	
18	302001641	1	ADAPTOR SUBASSEMBLE	751-01, 751-11, 751-21, 19GALL.
19	62359	2	GASKET 9X4X1	
20	302001546	1	Pakning	751-01, 751-11, 751-21, 19GALL.
21	909100196	3	SCREW 5.0X90	751-01, 751-11, 751-21, 19GALL.



# Base, motor, filter 751-61, -71, 19 GALLON AI

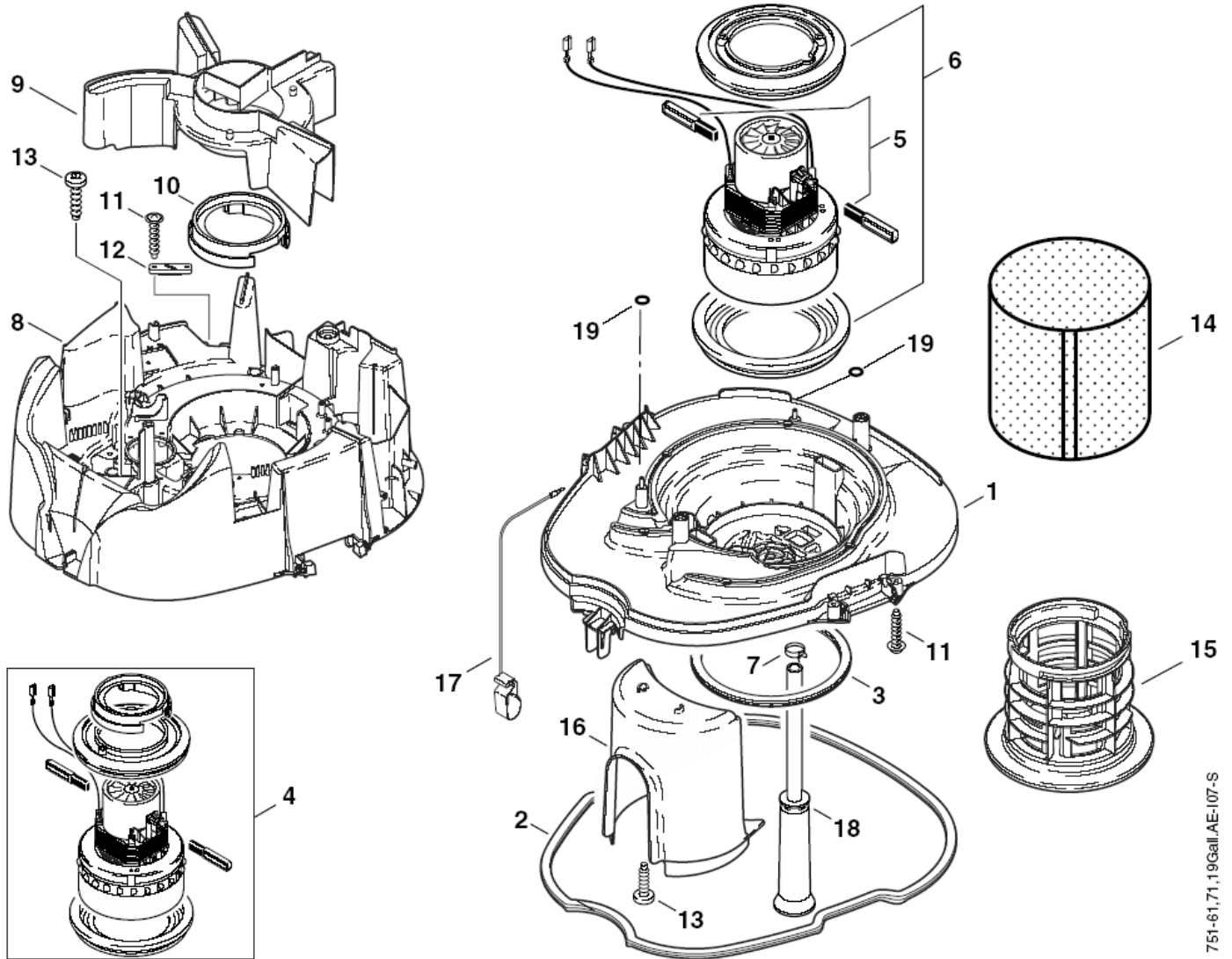
20-08-2014

StyMiste ID  
ATTIX75010

ATTIX 7

17

## ATTIX 751-61, 19 Gallon AE, 751-71



# Base, motor, filter 751-61, -71, 19 GALLON AI ATTIX 7

20-08-2014

StyMiste ID  
AI 11X75010

18

Pos	Vare nr.	Ant	Beskrivelse	
1	302000372	1	Plade ATTIX 5	
2	302000637	1	Tætning F. Beholder ATTIX	
3	302000460	1	Tætning F. Filter Attix	
4	26783	1	MOTOR 100V 1200W	100V/1200W
4	26784	1	Motor 120V 1200W	110-120V/1200W
4	26785	1	MOTOR 120V 1000W	120V/1000W
4	49594	1	Motor 220V 1200W	220-240V/1200W
5	26774	1	"Kulsæt ""M"" "	FOR IDENTIF. LETTER "M"
5	26775	1	"Kulsæt ""L"" "	FOR IDENTIF. LETTER "L"
5	49625	1	Kulsæt C	FOR IDENTIF. LETTER "C"
6	28875	1	"Motorpakningssæt ""L""+"M"" "	FOR IDENTIF. LETTER "L"+"M"
6	29205	1	SEAL	FOR IDENTIF. LETTER "L"+"M"
6	42538	1	"Motorpakningssæt ""C"" "	FOR IDENTIF. LETTER "C"
6	61167	1	MOTOR BEARING RING SET EC	FOR IDENTIF. LETTER "C"
7	909100137	1	Band Clamp Fitting 119	
8	107402638	1	Plate Chuck Attix 550 Pp Kit	
9	302000373	1	Luftfordeler ATTIX 5	
10	47035	1	COLLAR 55 SHORE A EPDM	19GALLAE
10	47036	1	Gummipakning	
11	11256	6	Skrue Ka3,5X18	
12	5697	1	STRAP 3X8X33	
13	909100138	9	Skrue	
14	15475	1	Metal-filter til vâdsugning RF	
15	302000345	1	Filter Support	
16	302001436	1	Deflector	
17	61174	1	Jordkabel	
18	302001473	1	Hose D40X396	
19	62359	2	GASKET 9X4X1	

# Base, motor 761-21 XC, 19 GALLON AS/PE

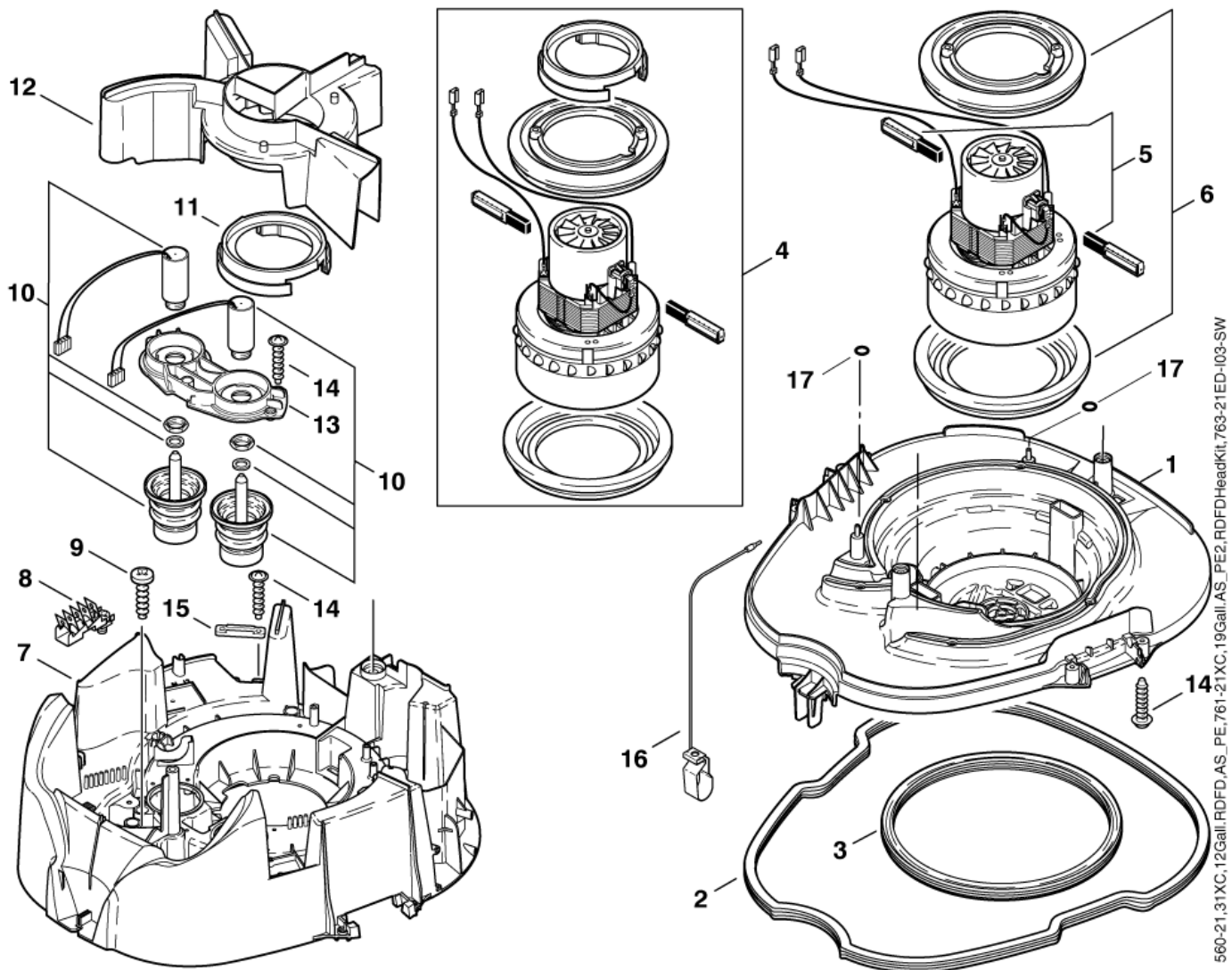
ATTIX 7

20-08-2014

StyMiste ID  
ATTIX76006

19

ATTIX 560-21 XC, 560-31 XC, 12Gallon RDFD, 12Gallon AS/PE, RDFD Head Kit, 761-21 XC, 19Gallon AS/PE2, 763-21 ED



560-21,31XC,12Gall.RDFD,AS\_PE,761-21XC,19Gall,AS\_PE2,RDFD-HeadKit,763-21ED-103-SW

# Base, motor 761-21 XC, 19 GALLON AS/PE

ATTIX 7

20-08-2014

StyMiste ID  
A11IX76006

20

Pos	Vare nr.	Ant	Beskrivelse	
1	302000511	1	Plade	
2	302000637	1	Tætning F. Beholder ATTIX	
3	302000697	1	Gasket Filter	
4	26784	1	Motor 120V 1200W	110-120V/1200W
4	49594	1	Motor 220V 1200W	220-240V/1200W
4		1	E-Motor 230V/1400 W	763-21 ED
5	26774	1	"Kulsæt ""M"" "	FOR IDENTIF.LETTER "M"
5	26775	1	"Kulsæt ""L"" "	FOR IDENTIF.LETTER "L"
5	49625	1	Kulsæt C	FOR IDENTIF.LETTER "C"
6	28875	1	"Motorpakningssæt ""L""+"M"" "	FOR IDENTIF.LETTER "L"+"M"
6	29205	1	SEAL	FOR IDENTIF.LETTER "L"+"M"
6	42538	1	"Motorpakningssæt ""C"" "	FOR IDENTIF. LETTER "C"
6	61167	1	MOTOR BEARING RING SET EC	FOR IDENTIF. LETTER "C"
7	107402639	1	Monteringsplade	
8	302000755	1	TERMINAL STRIP 6 FH63X08 16A	
9	909100138	6	Skrue	
10	107402635	2	Electromagnet 24V Kit	FOR 220-240V
10	302000217	2	ELECTROMAGNET 12V	FOR 100-120V
11	47036	1	Gummipakning	
12	302000373	1	Luf tfordeler ATTIX 5	
13	302000388	1	Frame 190X90X18	Pp
14	11256	11	Skrue Ka3,5X18	
15	5697	1	STRAP 3X8X33	
16	302000823	1	CONTACT SPRING 41.8X14 AS BR	*GB,230V*
16	61174	1	Jordkabel	
17	62359	2	GASKET 9X4X1	

# Filter, cleaning system 761-21 XC, 19 GALLON A

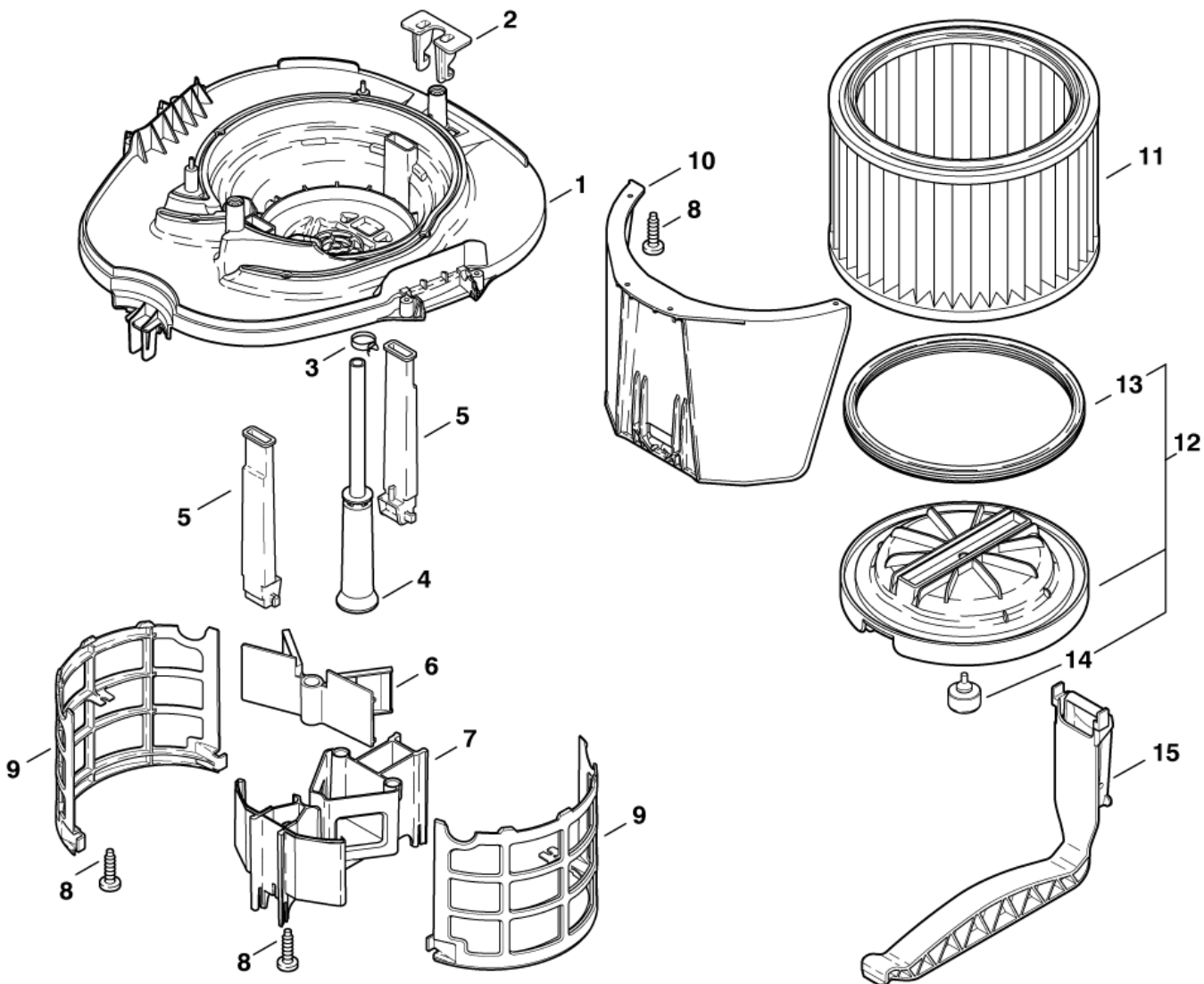
ATTIX 7

20-08-2014

StyMiste ID  
ATTIX76008

21

ATTIX 560-21 XC, 560-31 XC, 12Gallon RFD, 12Gallon AS/PE, RFD Head Kit, 761-21 XC, 19Gallon AS/PE2, 763-21 ED



560-21,31XC,12Gall.RFD,AS\_PE,761-21XC,19Gall.AS\_PE2,RFDHeadKit,763-21ED-104-S

# Filter, cleaning system 761-21 XC, 19 GALLON A

## ATTIX 7

20-08-2014

Styliste ID  
A111X76008

22

Pos	Vare nr.	Ant	Beskrivelse
1	302000511	1	Plade
2	302000512	1	Krog F.Filterholder ATTIX
3	909100137	1	Band Clamp Fitting 1/19
4	302001473	1	Hose D40X396 * SEE NOTE
4	303000516	1	Slange ** SEE NOTE
5	302000514	2	Pakning
6	302000387	1	Flap
7	302000386	1	Luftkanal
8	909100138	9	Skrue
9	302000385	2	Filterhus
10	107402640	1	Deflector 318X180X212 Kit
11	107400562	1	Filterelement PET Nano-fiber M-klasse
11	302000751	1	Filterelement Ø275X185 PET M-klasse
12	107402653	1	Bundplade F/Filter
13	302000697	1	Gasket Filter
14	302000515	1	Plug
15	107402651	1	Holder For Filter

\* NOTE: 761-21XC, 19Gall.AS/PE2, RDFD Head Kit, not 763-21 ED

\*\*NOTE: 560-21XC, 560-31XC, 12Gall.RDFD, 12Gall.AS/PE, not 763-21 ED

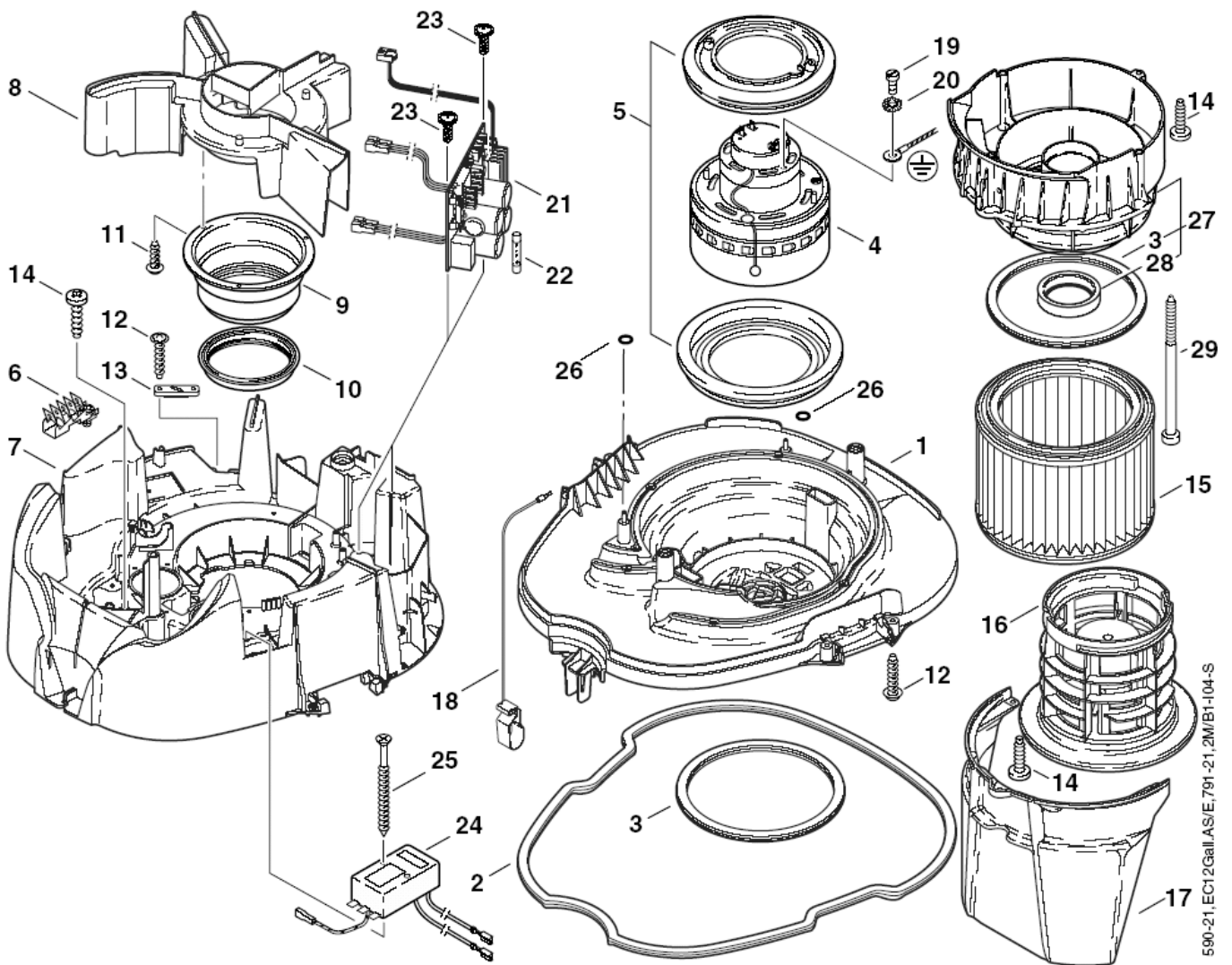
# Base, motor, filter 791-21

ATTIX 7

20-08-2014

StyMiste ID  
ATTIX79008

23



590-21, EC12Gall AS/E, 791-21, 2M/B1-104-S

# Base, motor, filter 791-21

ATTIX 7

20-08-2014

StyMiste ID  
A11IX79008

24

Pos	Vare nr.	Ant	Beskrivelse	
1	302000372	1	Plade ATTIX 5	
2	302000637	1	Tætning F. Beholder ATTIX	
3	302000460	1	Tætning F. Filter Attix	
4	107402629	1	MOTOR TURBINE 1000W 100/120V	EC 12GALLON AS/E, 791-2M/B1*GB,110V*
4	60561	1	Sugemotor 220-240V 1200W	590-21, 791-21,, 791-2M/B1*EU*GB,230V*
5	61167	1	MOTOR BEARING RING SET EC	
6	302000755	1	TERMINAL STRIP 6 FH63X08 16A	
7	107402638	1	Plate Chuck Attix 550 Pp Kit	590-21, EC 12GALLON AS/E, 791-21
7		1	SUPPORTING PLATE	791-2M/B1
8	302000373	1	Luf tfordeler ATTIX 5	
9	60877	1	BRACKET	
10	47364	1	PACKING RING 108X86X18	
11	11254	3	SCREW 3.5X10 WN1411	
12	11256	6	Skrue Ka3,5X18	
13	5697	1	STRAP 3X8X33	
14	909100138	9	Skrue	
15	302000490	1	Filterelement PET-fleece M-klasse	
16	107402646	1	Filter Support Cage ATTIX Pp	
17	302000379	1	Besky ttelsesplade	
18	61174	1	Jordkabel	
19	6163	1	CYLINDER SCREW M4X12 ISO 1207 ZN	
20	4021	1	SERRATED LOCK WASHER A4	
21	302000833	1	Electronics Ec-3 230V Set	590-21, 791-21, 791-2M/B1*EU*GB,230V*
21		1	ELECTRONIC EC 110V SET-1	EC 12GALLON AS/E, 791-2M/B1*GB,110V*
22	48333	1	FINE-WIRE FUSE 6.3X32 10	590-21, 791-21, 791-2M/B1*EU*GB,230V*
22		1	FINE-WIRE FUSE	EC 12GALLON AS/E, 791-2M/B1*GB,110V*
23	10028	2	Skrue	
24	107402619	1	SCREENING FILTER KIT	590-21, 791-21, 791-2M/B1*EU*GB,230V*
24		1	SCREENING FILTER	EC 12GALLON AS/E, 791-2M/B1*GB,110V*
25	11255	2	SCREW 3.5X30	
26	62359	2	GASKET 9X4X1	
27	302001641	1	ADAPTOR SUBASSEMBLE	791-21, 791-2M/B1
28	302001546	1	Pakning	791-21, 791-2M/B1
29	909100196	3	SCREW 5.0X90	791-21, 791-2M/B1



# Buzzer, flow sensor 791-21

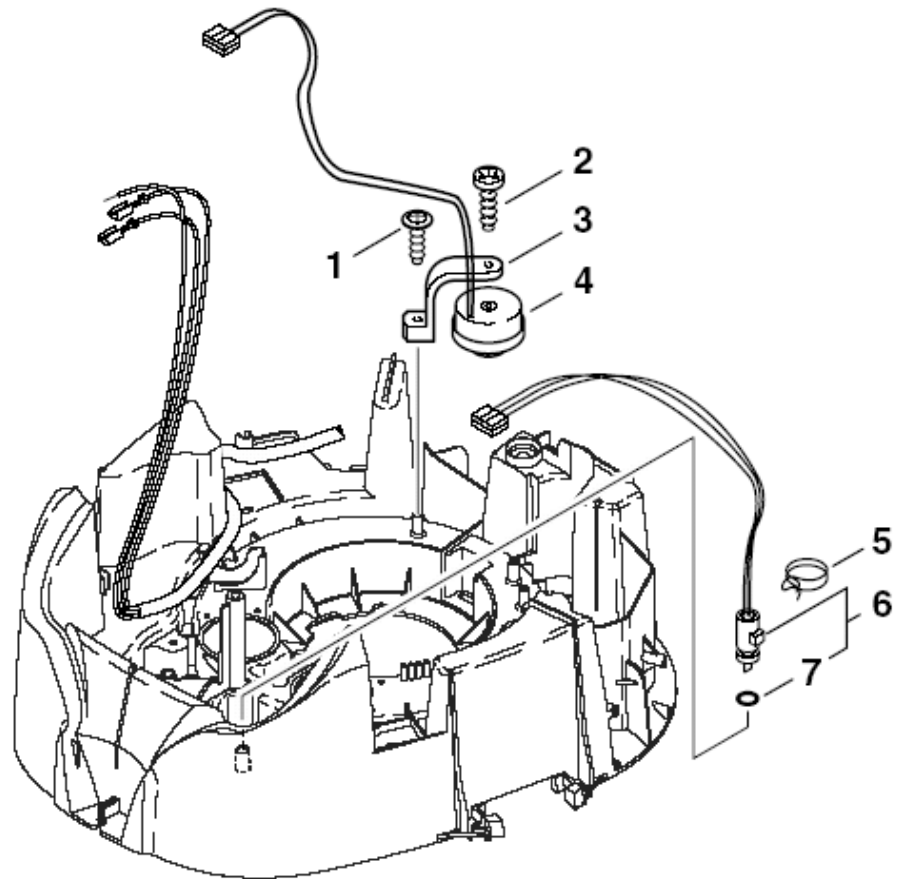
ATTIX 7

20-08-2014

StyMiste ID  
ATTIX79006

25

ATTIX 791-2M/B1



# Buzzer, flow sensor 791-21

ATTIX 7

20-08-2014

StyMiste ID  
A111X79006

26

Pos	Vare nr.	Ant	Beskrivelse
1	11254	1	SCREW 3.5X10 WN1411
2	14418	1	SCREW 4.2X13 ISO 7049
3	25871	1	BRACKET
4	107400579	1	Piezo Buzzer
5	107400578	1	HOSE CLAMP D10
6	302000428	1	Electronic Flowsens 9X6Mm
7	55416	1	O-RING 4.0x1.5 NBR70

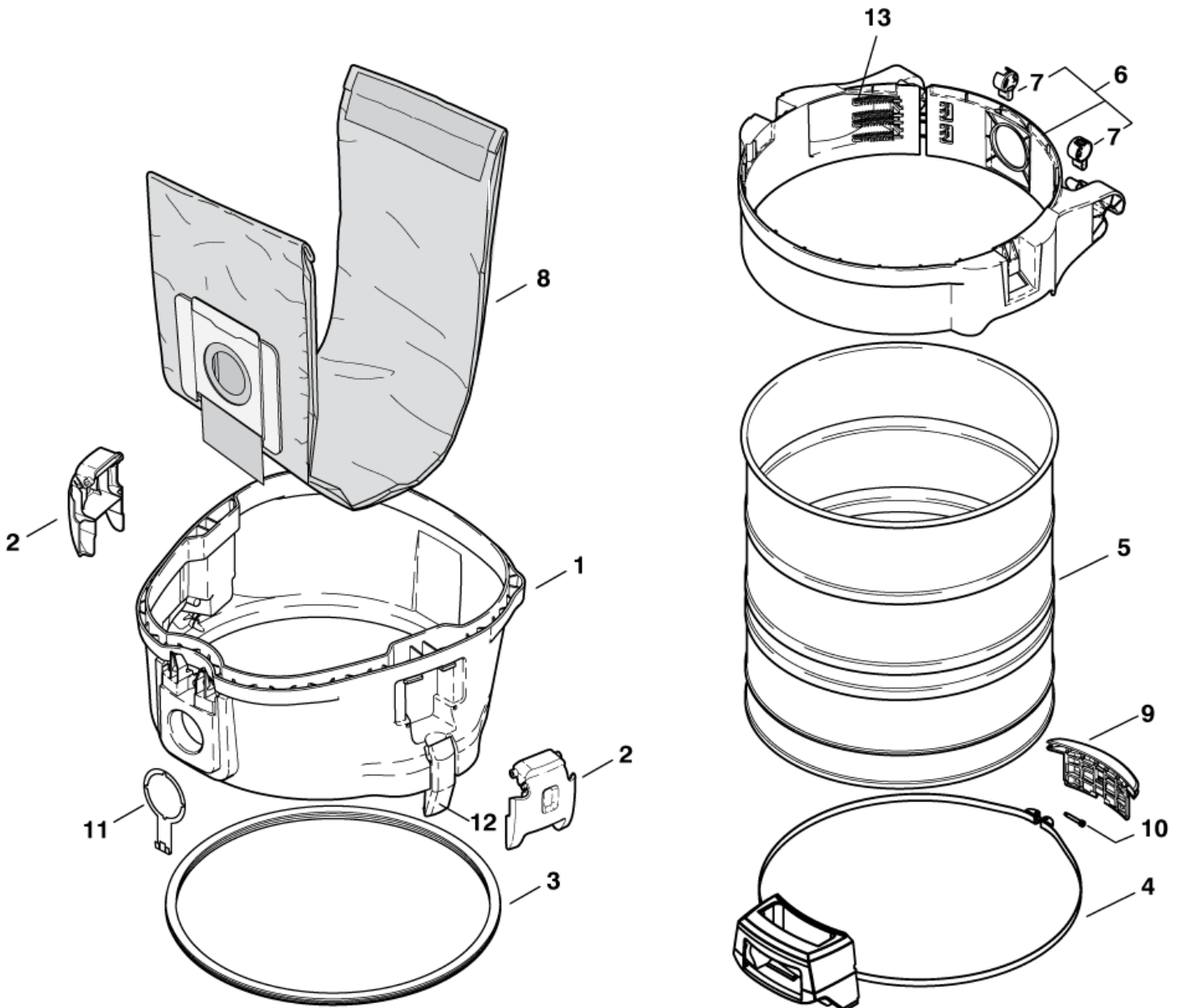
# Container 751-01, - 11, -21, 19 GALLON

ATTIX 7

20-08-2014

StyMiste ID  
ATTIX75016

27



# Container 751-01, - 11, -21, 19 GALLON

ATTIX 7

20-08-2014

StyMiste ID  
A11IX75016

28

Pos	Vare nr.	Ant	Beskrivelse
1	107400257	1	Mellemring
2	302000349	2	Lukkeclamp
3	302001432	1	Pakning Container
4	302001605	1	Håndtag
5	107402657	1	Container R408X430Ss
6	302001704	1	Belt Container I480 Set
7	302001441	2	Interlock ATTIX 7
8	302001484	1	Filterposer papir (5 stk.)
9	302001363	1	Holder 155X55X35
10	302001613	1	Skrue M5X35X5
11	107400145	1	Ground Connector Attix 7
12	19880	1	Snaplås
13	909100383	1	Spring 1.40X7.5X113

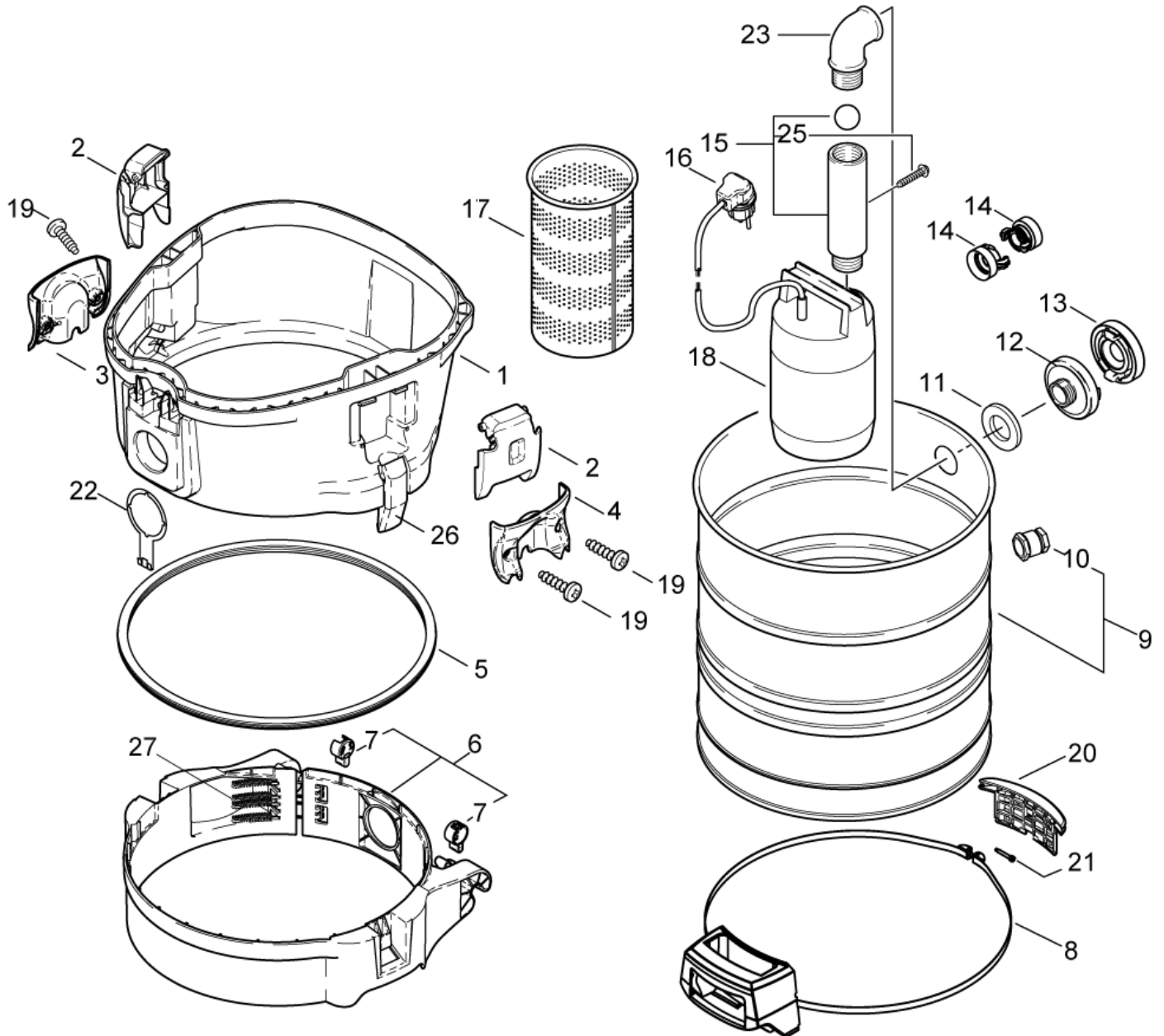
# Container 751-61, -71, 19 GALLON AE

ATTIX 7

20-08-2014

StyMiste ID  
ATTIX75018

29



# Container 751-61, -71, 19 GALLON AE

## ATTIX 7

20-08-2014

StyMiste ID  
A11IX75018

30

Pos	Vare nr.	Ant	Beskrivelse	
1	107400257	1	Mellemring	
2	302000349	2	Lukkeclamp	
3	302001553	1	SEAL CLAMP	
4	302001552	1	SEAL CLAMP	
5	302001432	1	Pakning Container	
6	302001704	1	Belt Container I480 Set	
7	302001441	2	Interlock ATTIX 7	
8	302001605	1	Håndtag	
9	302001361	1	Container ATTIX 7 /Fire B Rigad	
10	64901	1	SCREWED CABLE GLAND M16X1.5	
11	107402254	1	Gasket Kit D42X58X6	
11	60901	2	Packing	
12	302001482	1	"Kopling C 1 1/4" "	
13	107402618	1	Kobling	
14	7729	2	Geka kobling	
15	302001133	1	Discharge Pipe Assy.	
16	11832	1	Elstik til dy kpumpe	
17	302001434	1	Opsamlingskurv	
18	302000297	1	Pump 230/50 650W	230V/50HZ
18	302000307	1	Pump Subm. 115/60 650Wc G 5/4/	115V/60HZ
19	909100138	4	Skrue	
20	302001363	1	Holder 155X55X35	
21	302001613	1	Skrue M5X35X5	
22	107400145	1	Ground Connector Attix 7	
23	21678	1	Vinkel 1.1/4	
25	43341	1	SCREW 5X30	
26	19880	1	Snaplås	
27	909100383	1	Spring 1.40X7.5X113	

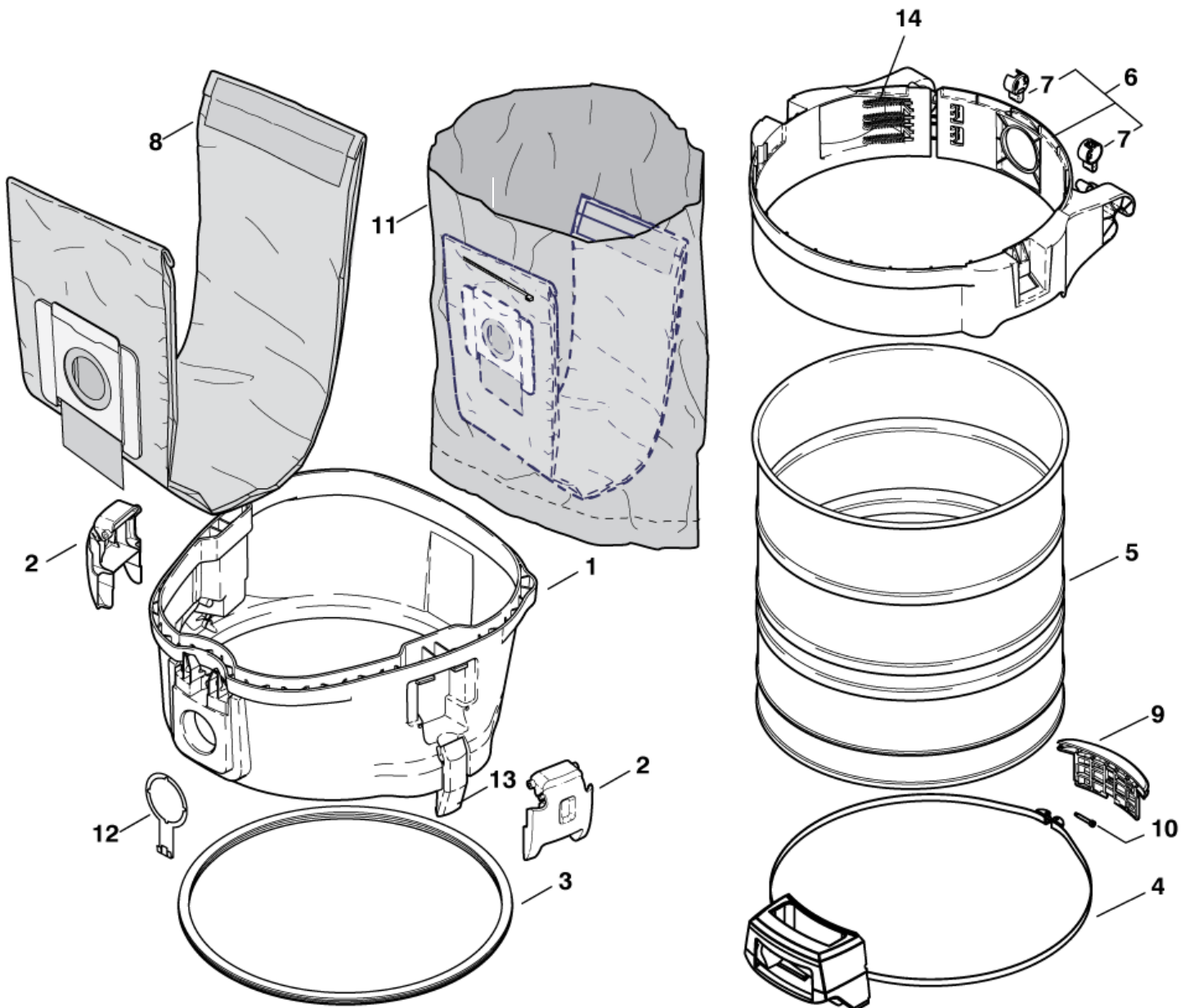
# Container 761-21, 19 GALLON AS/PE

ATTIX 7

20-08-2014

StyMiste ID  
ATTIX76012

31



# Container 761-21, 19 GALLON AS/PE

ATTIX 7

20-08-2014

StyMiste ID  
A11IX76012

32

Pos	Vare nr.	Ant	Beskrivelse
1	107400257	1	Mellemring
2	302000349	2	Lukkeclamp
3	302001432	1	Pakning Container
4	302001605	1	Håndtag
5	107402657	1	Container R408X430Ss
6	302001704	1	Belt Container I480 Set
7	302001441	2	Interlock ATTIX 7
8	302001484	1	Filterposer papir (5 stk.)
9	302001363	1	Holder 155X55X35
10	302001613	1	Skrue M5X35X5
11	302001480	1	Opsamlingsposer (5 stk.)
12	107400145	1	Ground Connector Attix 7
13	19880	1	Snaplås
14	909100383	1	Spring 1.40X7.5X113



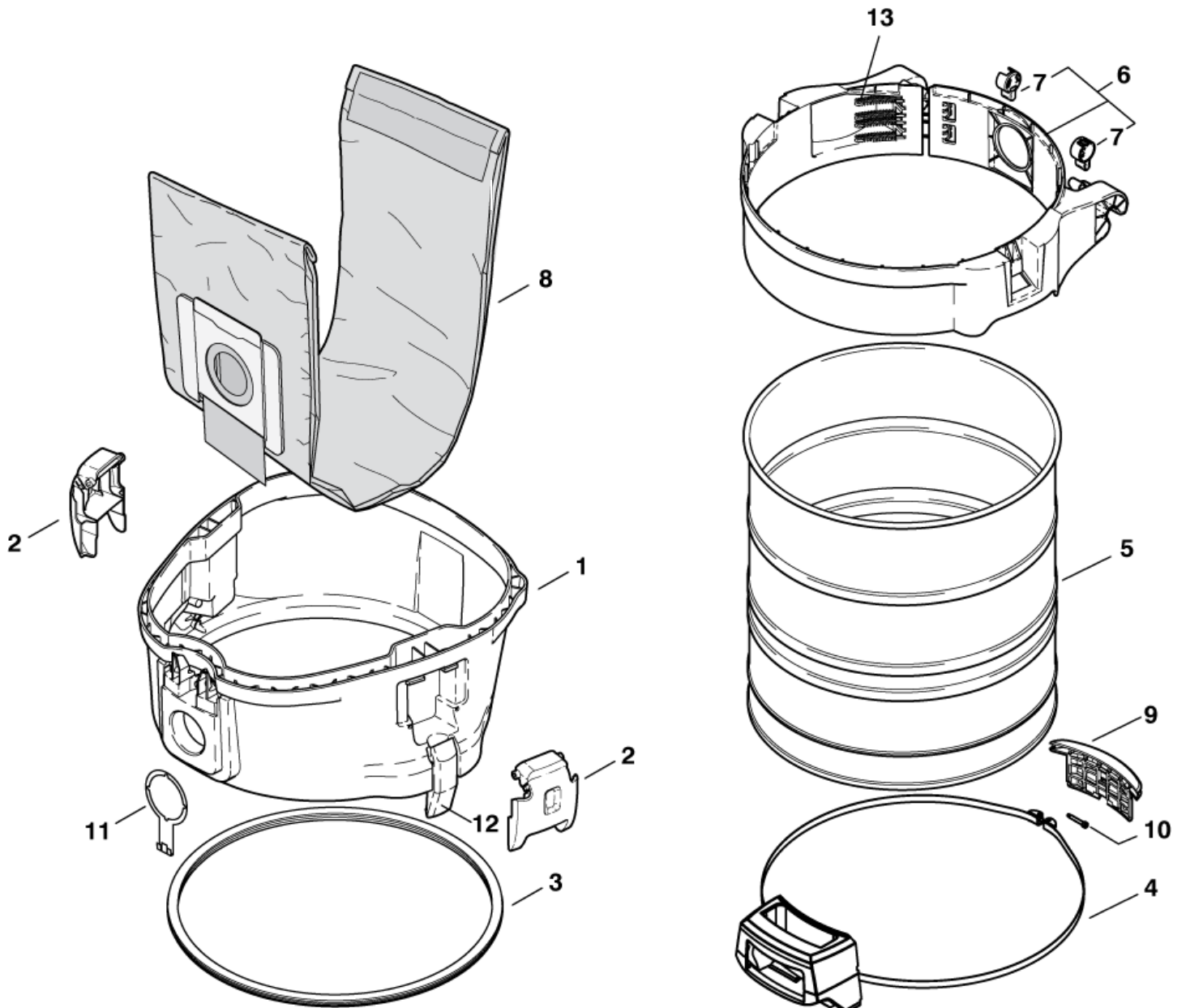
# Container 791-21

ATTIX 7

20-08-2014

StyMiste ID  
ATTIX59012

33



# Container 791-21

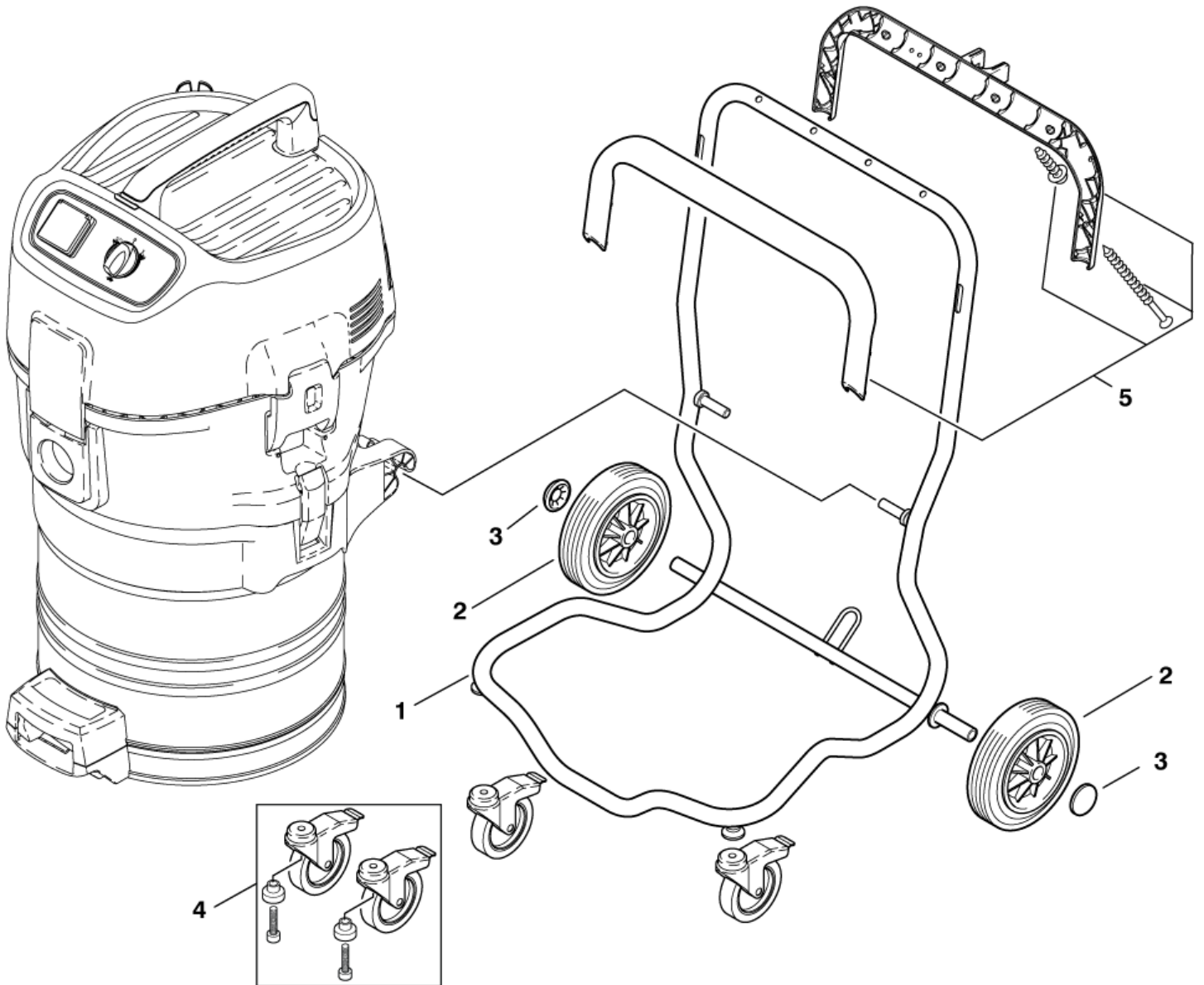
ATTIX 7

20-08-2014

StyMiste ID  
A11IX59012

34

Pos	Vare nr.	Ant	Beskrivelse
1	107400257	1	Mellemring
2	302000349	2	Lukkeclamp
3	302001432	1	Pakning Container
4	302001605	1	Håndtag
5	107402657	1	Container R408X430Ss
6	302001704	1	Belt Container I480 Set
7	302001441	2	Interlock ATTIX 7
8	302001484	1	Filterposer papir (5 stk.)
9	302001363	1	Holder 155X55X35
10	302001613	1	Skrue M5X35X5
11	107400145	1	Ground Connector Attix 7
12	19880	1	Snaplås
13	909100383	1	Spring 1.40X7.5X113



# Frame 751-01, -11, -21, -61, 19 GALLON, 19 GALI

ATTIX 7

20-08-2014

StyMiste ID

AI1IX55020

36

Pos	Vare nr.	Ant	Beskrivelse
1	302001437	1	Ramme
2	107401077	2	Hjul 200X50
3	3750	2	Lås Ø20
4	107401054	2	Hjulsæt
5	302001706	1	Håndtag

# Frame 751-71

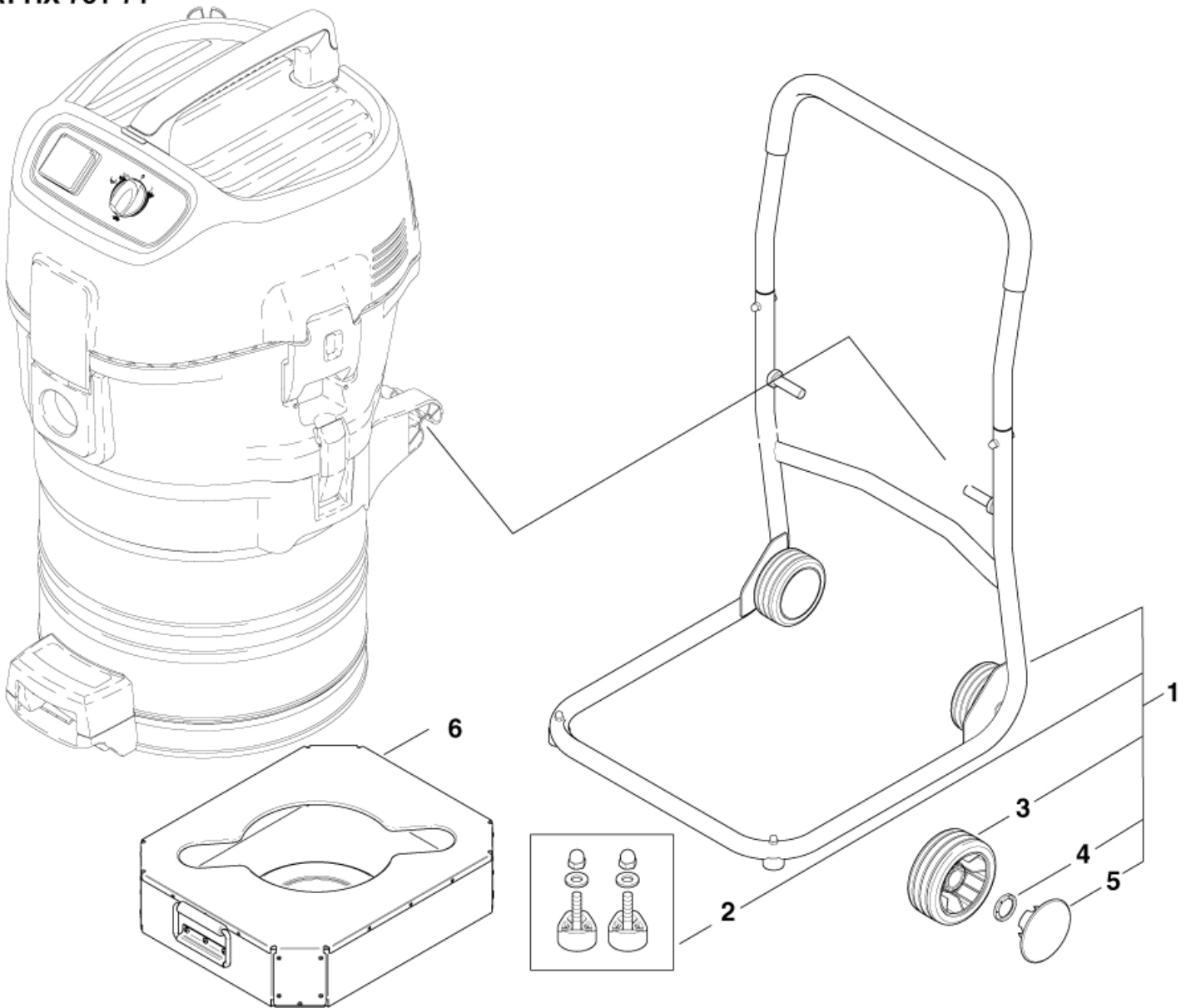
ATTIX 7

20-08-2014

StyMiste ID  
ATTIX55022

37

## ATTIX 751-71



# Frame 751-71

ATTIX 7

20-08-2014

Stykliste ID  
A11IX550ZZ

38

Pos	Vare nr.	Ant	Beskrivelse
1	302001472	1	BASE FRAME ATTIX 7
2	302001705	1	SUSTAINER Ø 26X17 SET2
3	302000465	2	Hjul ATTIX 3
4	47302	2	Låseskive
5	25710	2	HUB CAP Ø 75
6	302001554	1	Opbevaringskasse til tilbehør

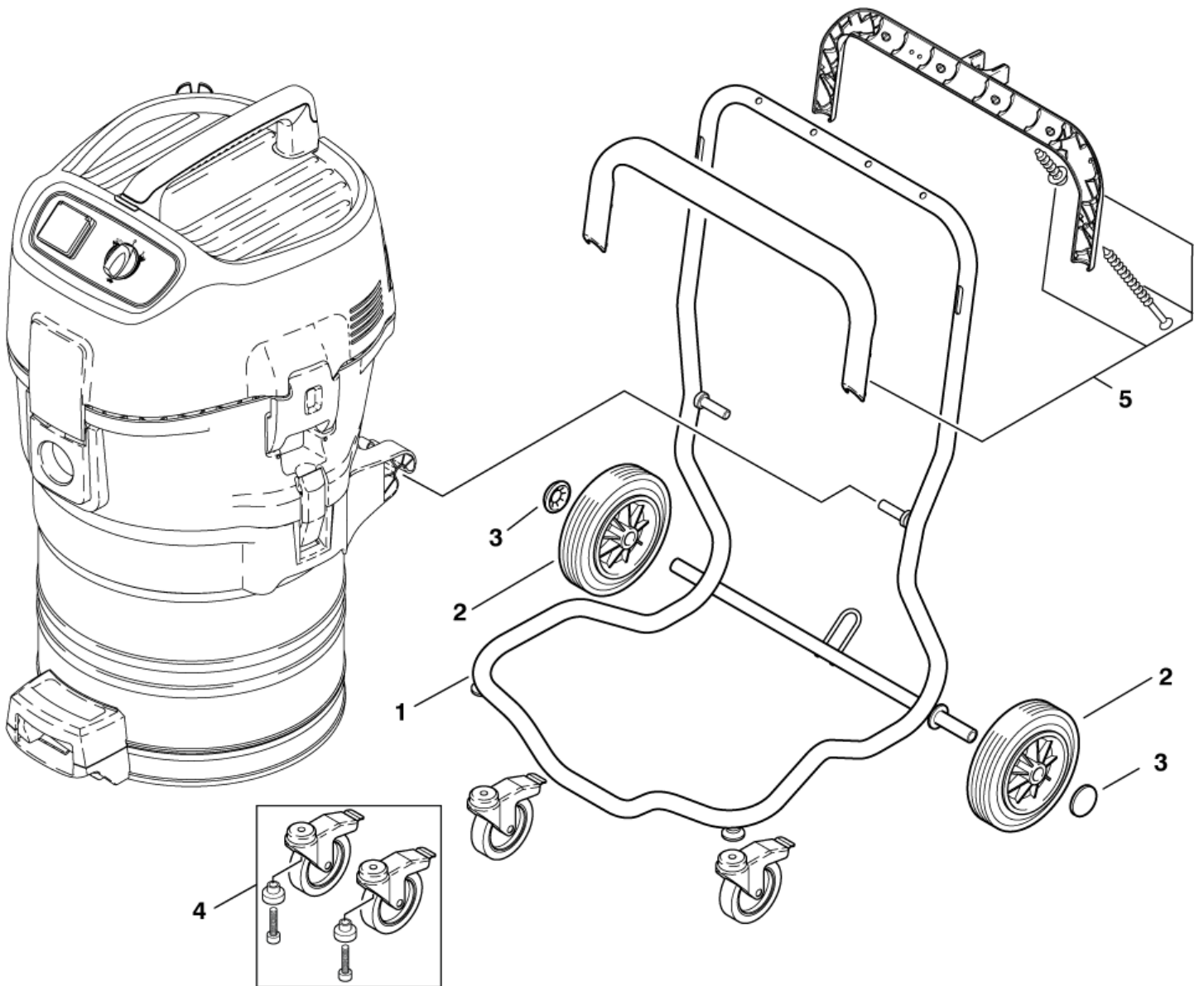
# Frame 761-21, 19 GALLON AS/PE

ATTIX 7

20-08-2014

StyMiste ID  
ATTIX56014

39



# Frame 761-21, 19 GALLON AS/PE

ATTIX 7

20-08-2014

StyMiste ID

AI1IX56014

40

Pos	Vare nr.	Ant	Beskrivelse
1	302001437	1	Ramme
2	107401077	2	Hjul 200X50
3	3750	2	Lås Ø20
4	107401054	2	Hjulsæt
5	302001706	1	Håndtag



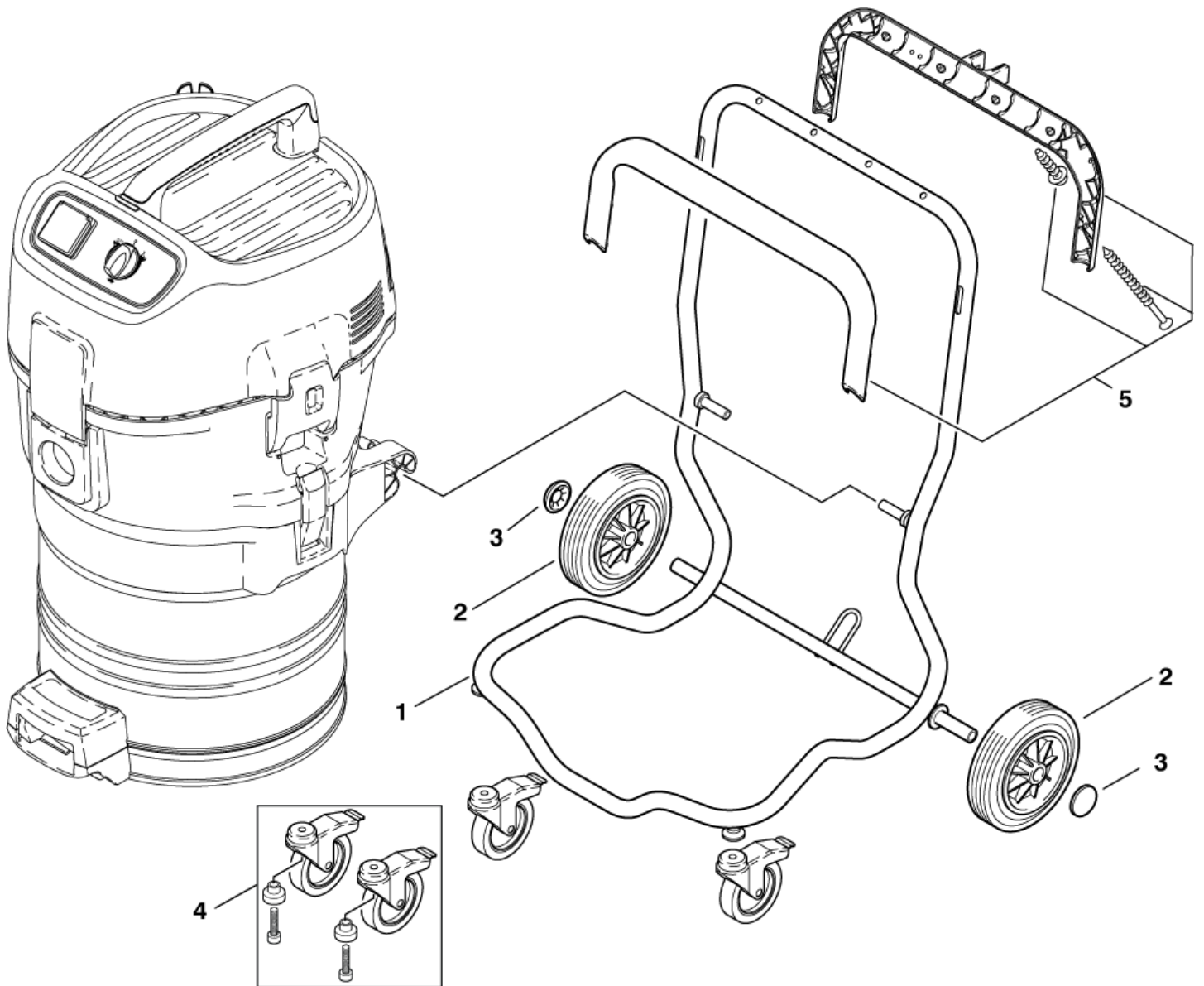
# Frame 791-21

ATTIX 7

20-08-2014

StyMiste ID  
ATTIX59016

41



# Frame 791-21

ATTIX 7

20-08-2014

StyMiste ID  
A11IX59016

42

Pos	Vare nr.	Ant	Beskrivelse
1	302001437	1	Ramme
2	107401077	2	Hjul 200X50
3	3750	2	Lås Ø20
4	107401054	2	Hjulsæt
5	302001706	1	Håndtag

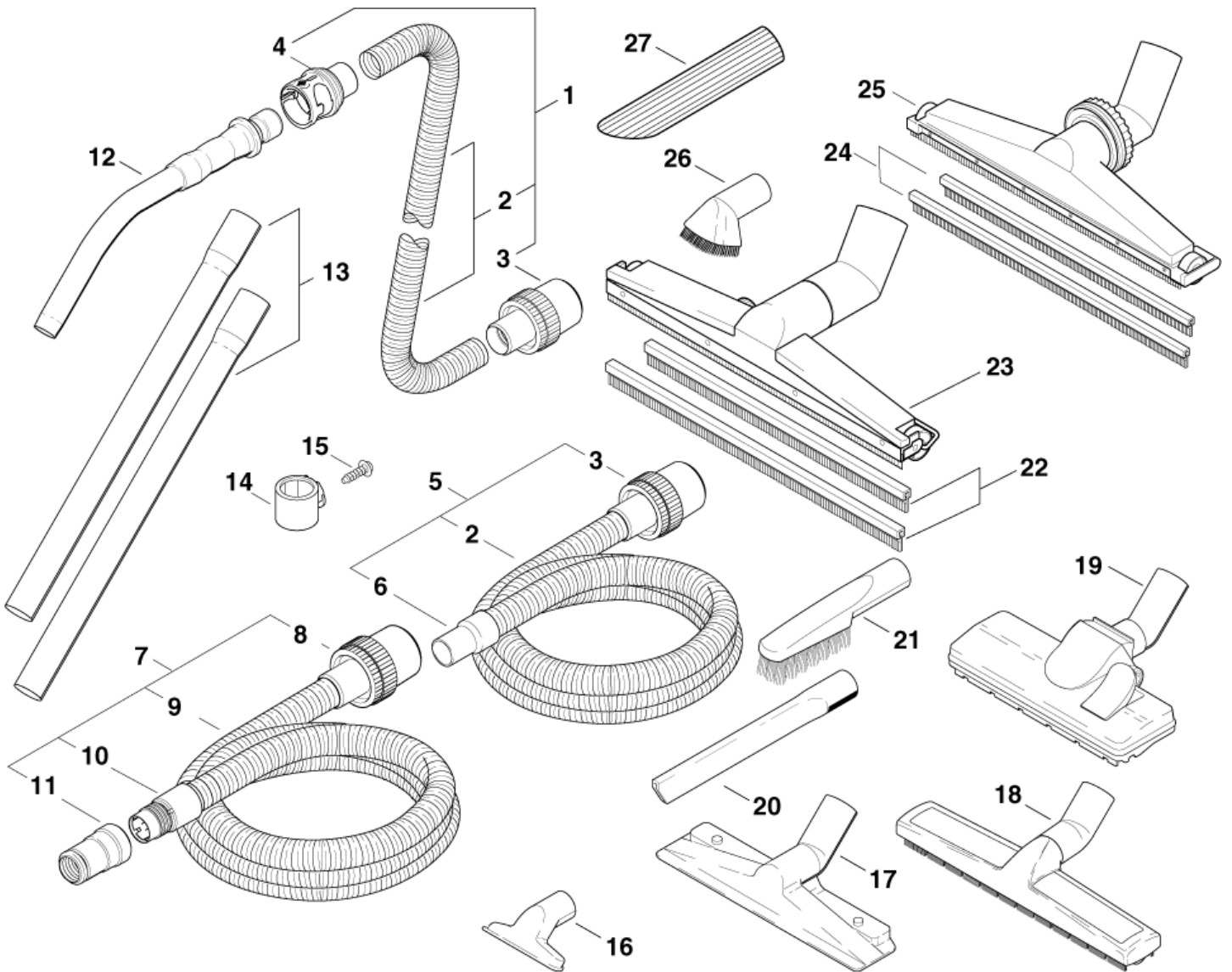
# Accessories 550, 751

ATTIX 7

20-08-2014

StyMiste ID  
ATTIX55024

43



# Accessories 550, 751

ATTIX 7

20-08-2014

StyMiste ID  
A11IX55024

44

Pos	Vare nr.	Ant	Beskrivelse	
1	25537	1	Sugeslange universal 4 m Ø36	
1	302001677	1	Sugeslange olieres. 4 m Ø36 lynkobling	751-71
1	46948	1	Sugeslange universal 3 m Ø36 lynkobling	
2	11985	1	Sugeslange Ø36 pr. meter (max. 20 meter)	
2	6429	1	Sugeslange Alu Ø36Mm Pr.M	751-71
3	15102	1	Slangemuffe Ø36/50	
4	302001345	1	Koblingsmuffe Ø36	
5	15805	1	Sugeslange Ø36, 3 Mtr.	
6	11597	1	Muffe til rør Ø36	
7	15325	1	Sugeslange Antistatic 3,5 m Ø27	
8	15369	1	Slangemuffe Antistat Ø27	
9	15326	1	Sugeslange AntiStatic pr. meter Ø27	
10	63509	1	Gevindstykke Ø27	
11	107404520	1	Adapter Ø27/36	
12	302000528	1	Rørbøjning krom-belagt lynkobling Ø36	
12	46691	1	Rørbøjning RF lynkobling Ø36	
13	107408074	1	Forlængerrør Ø36 2X505 MM SS	
13	302000529	1	Forlængerrør krom 500 mm 2 stk. Ø36	
14	26821	1	Tilbehørholder Attix	
14	28546	1	Holder Floor-Nozzle	12GALL.RDF
15	12400	1	Skrue	
16	14295	1	Polstermundstykke plast 115 mm Ø36	
17	5147	1	Gulvmundstykke alu 330 mm Ø36	
18	302000521	1	Gulvmundstykke plast 360 mm Ø36	DRY
18	60356	1	Mundstykke m. hjul og børster 300mm Ø36	WET/DRY
19	302000477	1	Kombimundstykke plast 260 mm Ø36	
20	6084	1	Fugemundstykke plast 300 mm Ø36	
21	6086	1	Børstemundstykke plast 230 mm Ø36	
22	15352	1	Gummilæber standard (2 stk.)	751-71
23	15349	1	Vådsugningsmundstykke alu 450 mm Ø36	751-71
24	6114	1	Gummilæber (2 stk.)	
25	5149	1	Gulvmundstykke plast 400 mm Ø36	
26	5146	1	Børstemundstykke plast 70 mm Ø36	
27	5067	1	Fugemundstykke gummi Ø36	

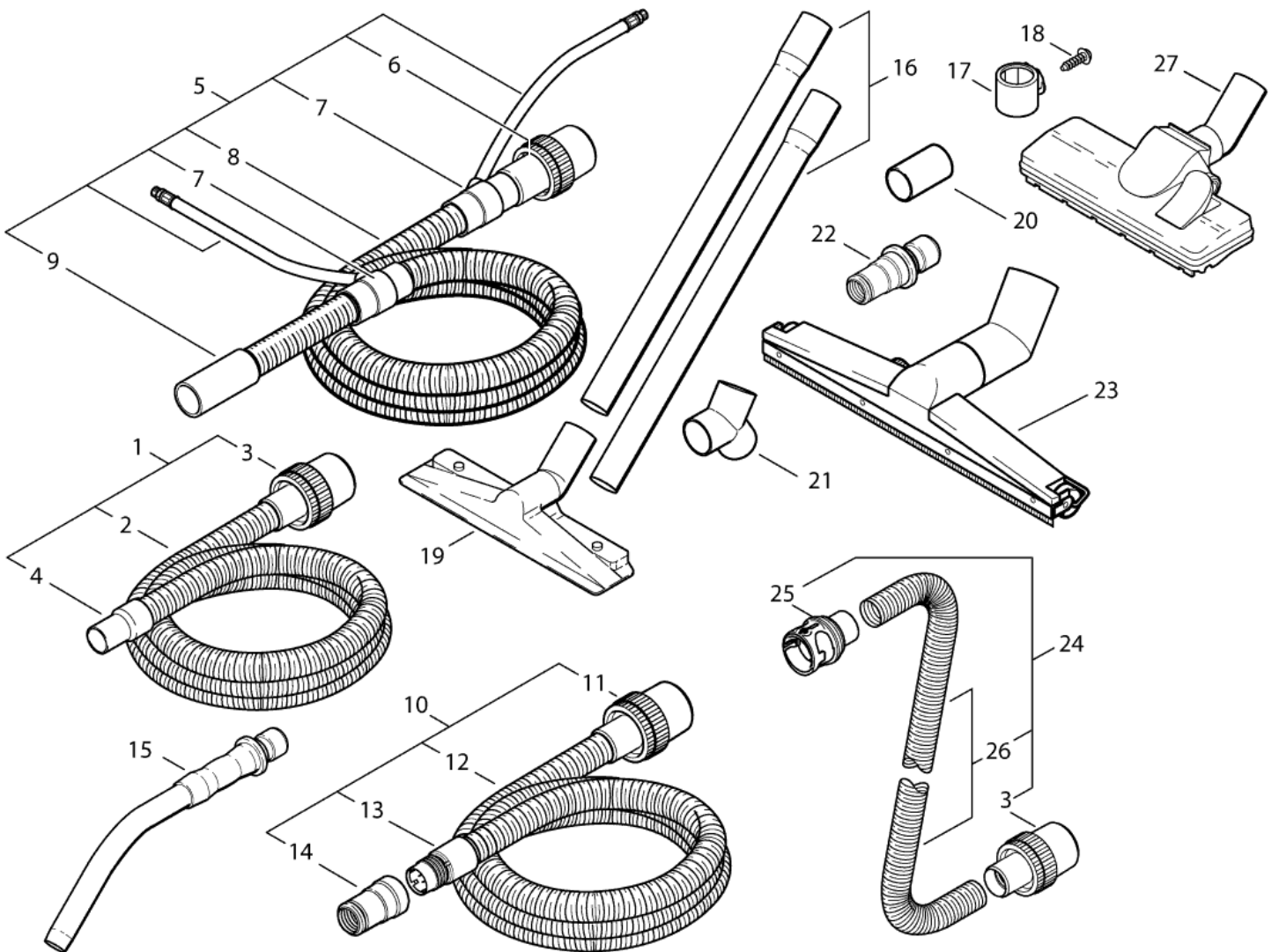
# Accessories 560, 761, 763

ATTIX 7

20-08-2014

StyMiste ID  
ATTIX56016

45



# Accessories 560, 761, 763

ATTIX 7

20-08-2014

StyMiste ID  
A11IX56016

46

Pos	Vare nr.	Ant	Beskrivelse
0	302000477	1	Kombimundstykke plast 260 mm Ø36
1	15805	1	Sugeslange Ø36, 3 Mtr.
2	11985	1	Sugeslange Ø36 pr. meter (max. 20 meter) * SEE NOTE
3	15102	1	Slangemuffe Ø36/50
4	11597	1	Muffe til rør Ø36
5	26601	1	COAXIAL SUCTION HOSE D32
6	30928	1	Adapt. Antistat Ø32
7	26309	1	HOSE SLEEVE DN32
8	43502	1	Slange Pr. Mtr. Ø 32Mm * SEE NOTE
9	60033	1	HOSE SLEVE 5304-1 DN32
10	15325	1	Sugeslange Antistatic 3,5 m Ø27
11	15369	1	Slangemuffe Antistat Ø27
12	15326	1	Sugeslange AntiStatic pr. meter Ø27 * SEE NOTE
13	63509	1	Gevindstykke Ø27
14	107404520	1	Adapter Ø27/36
15	302000528	1	Rørbøjning krom-belagt lynkobling Ø36
15	46691	1	Rørbøjning RF lynkobling Ø36
16	107408074	1	Forlængerrør Ø36 2X505 MM SS
16	302000529	1	Forlængerrør krom 500 mm 2 stk. Ø36
17	28546	1	Holder Floor-Nozzle
18	12400	1	Skrue
19	5147	1	Gulvmundstykke alu 330 mm Ø36
20	15953	1	Slangemuffe AntiStatic Ø50
21	15331	1	Y afgangsrør plast Antistatic Ø50
22	302000535	1	Adapter til el-værktøj AntiStatic
23	15348	1	Tørsugningsmundstykke 450 mm alu Ø36
24	302001682	1	Sugeslange Antistatic 5 m Ø36 lynkobl.
25	302001345	1	Koblingsmuffe Ø36
26	15312	1	Sugeslange AntiStatic pr. meter Ø36 * SEE NOTE
27	302000477	1	Kombimundstykke plast 260 mm Ø36

\* NOTE: PLEASE INDICATE LENGTHS IN METRES WHEN ORDERING

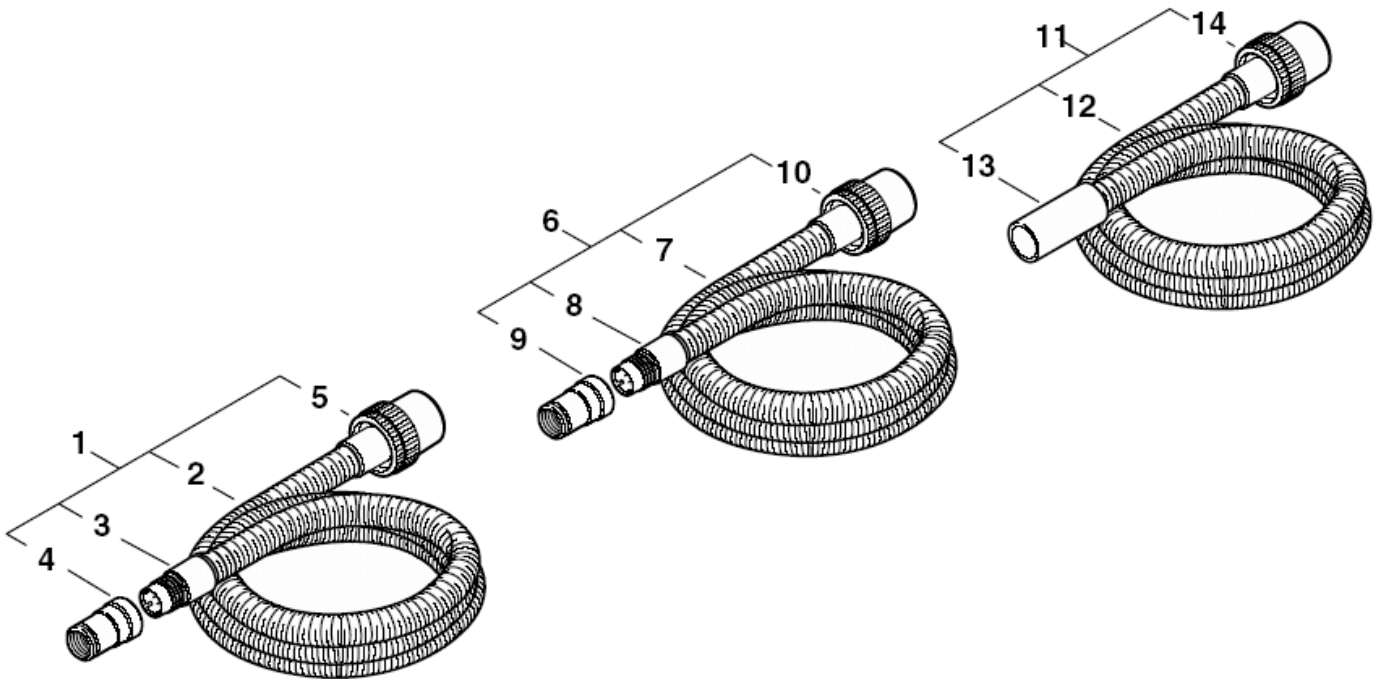
# Accessories 590, 791

ATTIX 7

20-08-2014

StyMiste ID  
ATTIX59020

47



# Accessories 590, 791

ATTIX 7

20-08-2014

StyMiste ID  
A11IX59020

48

Pos	Vare nr.	Ant	Beskrivelse	
1	15325	1	Sugeslange Antistatic 3,5 m Ø27	590-21, 791-21
2	15326	1	Sugeslange AntiStatic pr. meter Ø27	590-21, 791-21
3	63509	1	Gev indstykke Ø27	590-21, 791-21
4	107404520	1	Adapter Ø27/36	590-21, 791-21
5	15369	1	Slangemuffe Antistat Ø27	590-21, 791-21
6	48132	1	Sugeslange 3,5 m Ø27	791-2M/B1
7	15326	1	Sugeslange AntiStatic pr. meter Ø27	791-2M/B1
8	63509	1	Gev indstykke Ø27	791-2M/B1
9	107404521	1	TOOL ADAPTER D27/36-24 TYPE 22	791-2M/B1
10	48068	1	HOSE SLEEVE Ø 27 B1	791-2M/B1
11	302000693	1	SUCTION HOSE D32X5000 EL.CONDU	EC 12 GALLON AS/E
12	43502	1	Slange Pr. Mtr. Ø 32Mm	EC 12 GALLON AS/E
13	14682	1	Slangemuffe	EC 12 GALLON AS/E
14	30928	1	Adapt. Antistat Ø32	EC 12 GALLON AS/E



# ANBEFALEDE RESERVEDELE

ATTIX 7

20-08-2014

StyMiste ID  
ATTIX7002

49

Ingen tegning

# ANBEFALEDE RESERVEDELE

ATTIX 7

20-08-2014

StyMiste ID  
A11IX7002

50

Pos	Vare nr.	Ant	Beskrivelse	
1	107400145	1	Ground Connector Attix 7	
1	107400257	1	Mellemring	
1	107400267	1	Cord H05Rr-F 3G1.0 Ch	CH 751-61
1	107400270	1	CORD H05RR-F 3G1.5 BS1 363 GB	GB,230V 751-01/11/21, 761-21
1	107400271	1	CORD H07BQ-F 3G2.5 GB	GB,110V 751-11/21, 761-21
1	107400574	1	CORD H05BQ-F 3G1.0 CEE GB 110	GB 751-01
1	107400579	1	Piezo Buzzer	
1	107401054	1	Hjulsæt	
1	107401077	1	Hjul 200X50	
1	107402618	1	Kobling	
1	107402619	1	SCREENING FILTER KIT	590-21, 791-21, 791-2M/B1EUGB,230V
1	107402635	1	Electromagnet 24V Kit	FOR 220-240V
1	107402638	1	Plate Chuck Attix 550 Pp Kit	590-21, EC 12GALLON AS/E, 791-21
1	107402639	1	Monteringsplade	
1	107402641	1	Power Cord H05Rr-F 3G1.5X 8X2	EU 751-61, 791-21
1	107402642	1	Elkabel, DK	DK 751-61
1	107402646	1	Filter Support Cage ATTIX Pp	
1	107402651	1	Holder For Filter	
1	107402653	1	Bundplade F/Filter	
1	107402655	1	Temperature Sensor Kit	751-71
1	107402842	1	OUTLET 2P AND PE 16A 110V	GB,110V 751-11/21
1	107408074	1	Forlængerrør Ø36 2X505 MM SS	
1	11379	1	Hose Ø3X1,5	SEE NOTE*
1	11753	1	Filterelement M-klasse	ZA
1	11832	1	Elstik til dykpumpe	
1	11985	1	Sugeslange Ø36 pr. meter (max. 20 meter)	
1	14808	1	COUPLING FEMALE G1/4	560-31XC
1	14809	1	COUPLING MALE G1/4	560-31XC
1	15325	1	Sugeslange Antistatic 3,5 m Ø27	590-21, 791-21
1	15348	1	Tørsugningsmundstykke 450 mm alu Ø36	
1	15349	1	Vådsugningsmundstykke alu 450 mm Ø36	751-71
1	15352	1	Gummilæber standard (2 stk.)	751-71
1	15475	1	Metal-filter til vådsugning RF	
1	15805	1	Sugeslange Ø36, 3 Mtr.	
1	19880	1	Snaplås	
1	26601	1	COAXIAL SUCTION HOSE D32	
1	26774	1	"Kulsæt ""M"" "	FOR IDENTIF. LETTER M
1	26775	1	"Kulsæt ""L"" "	FOR IDENTIF. LETTER L
1	26783	1	MOTOR 100V 1200W	100V/1200W 751-71
1	26784	1	Motor 120V 1200W	110-120V/1200W 751-71
1	26785	1	MOTOR 120V 1000W	120V/1000W 751-71
1	28875	1	"Motorpakningssæt ""L""+"M"" "	FOR IDENTIF.LETTERL+M
1	29205	1	SEAL	FOR IDENTIF. LETTER L+M

\* NOTE: PLEASE INDICATE LENGTHS IN METRES WHEN ORDERING

# ANBEFALEDE RESERVEDELE

## ATTIX 7

20-08-2014

StyMiste ID  
A11IX700Z

51

Pos	Vare nr.	Ant	Beskrivelse	
1	302000217	1	ELECTROMAGNET 12V	FOR 100-120V
1	302000297	1	Pump 230/50 650W	230V/50HZ
1	302000307	1	Pump Subm. 115/60 650Wc G 5/4/	115V/60HZ
1	302000345	1	Filter Support	
1	302000349	1	Lukkeclamp	
1	302000372	1	Plade ATTIX 5	751-71
1	302000373	1	Luftfordeler ATTIX 5	
1	302000385	1	Filterhus	
1	302000386	1	Luftkanal	
1	302000387	1	Flap	
1	302000428	1	Electronic Flowsens 9X6Mm	
1	302000430	1	POWER CORD H05RR-F 3G0.75X8.0	EU 751-01
1	302000432	1	POWER CORD H05RR-F 3G0.75X8.2M SNV -CH	CH 751-01
1	302000433	1	Power Cable Dk	DK 751-01
1	302000434	1	POWER CORD H05RR-F 3G0.7	AU 751-01
1	302000435	1	POWER CORD SJTW-A AWG18/3X8.2M NEMA -US	US 751-01
1	302000460	1	Tætning F. Filter Attix	751-71
1	302000465	1	Hjul ATTIX 3	
1	302000477	1	Kombimundstykke plast 260 mm Ø36	
1	302000490	1	Filterelement PET-fleece M-klasse	
1	302000511	1	Plade	
1	302000512	1	Krog F.Filterholder ATTIX	
1	302000514	1	Pakning	
1	302000528	1	Rørbøjning krom-belagt lynkobling Ø36	
1	302000529	1	Forlængerrør krom 500 mm 2 stk. Ø36	
1	302000627	1	ELECTRONIC 110-120V SET1	100-120V, 12GALL.RDF 751-11 -21
1	302000628	1	Elektronik M. Drejereg	220-240V, 550-21, 751-21, 751-11
1	302000637	1	Tætning F. Beholder ATTIX	751-71
1	302000683	1	Stikdåse	DK 751-11/21, 761-21
1	302000685	1	POWER CORD H05RR-F3G0.75X8.4 S	ZA 751-01
1	302000693	1	SUCTION HOSE D32X5000 EL.CONDU	EC 12 GALLON AS/E
1	302000697	1	Gasket Filter	
1	302000751	1	Filterelement Ø275X185 PET M-klasse	
1	302000756	1	Switch Box	550-1, 12 GALLON, 751-01
1	302000823	1	CONTACT SPRING 41.8X14 AS BR	GB,230V
1	302000825	1	ELECTRONIC SOFT START 100-	100-120V, 751-11GB,110/50, 19GALL.
1	302000826	1	Elektronik	220-240V, 751-11 -21 19 GALL.
1	302000833	1	Electronics Ec-3 230V Set	590-21, 791-21, 791-2M/B1EUGB,230V
1	302000852	1	ELECTRONIC 120V SET1	100-120V 761-21
1	302000853	1	Print 230V Sæt	220-240V 761-21
1	302001185	1	SOCKET 10A/250V AU	AU
1	302001363	1	Holder 155X55X35	
1	302001425	1	Electronic Ea.W.Speed Ec	590-21, 791-21

\* NOTE: PLEASE INDICATE LENGTHS IN METRES WHEN ORDERING

# ANBEFALEDE RESERVEDELE

ATTIX 7

20-08-2014

StyMiste ID  
A11IX7002

52

Pos	Vare nr.	Ant	Beskrivelse	
1	302001430	1	ELECTRONIC EC 110V SET-1	EC 12GALLON AS/E, 791-2M/B1GB,110V
1	302001432	1	Pakning Container	
1	302001434	1	Opsamlingskurv	
1	302001441	1	Interlock ATTIX 7	
1	302001482	1	"Kopling C 1 1/4" "	
1	302001546	1	Pakning	791-21, 791-2M/B1
1	302001552	1	SEAL CLAMP	
1	302001553	1	SEAL CLAMP	
1	302001580	1	POWER CORD H07RN-F 3G1.5X10.7	751-71
1	302001605	1	Håndtag	
1	302001641	1	ADAPTOR SUBASSEMBLE	751-01, 751-11, 751-21, 19GALL., 791-21, 791-2M/B1
1	302001678	1	AIR MANIFOLD ASSY. SET	19GALLON AS/PE2
1	302001682	1	Sugeslange Antistatic 5 m Ø36 lynkobl.	
1	302001704	1	Belt Container 1480 Set	
1	302001708	1	POWER CORD SJTW-A AWG	751-71 19GALLON AE
1	302001711	1	ELECTRONIC 100-120V SET1	100-120V 751-61-71
1	302001712	1	Circuit Board Ec 220/240V	220-240V 751-61-71
1	302004034	1	Stikdåse 16A/250V Eu	EU -590-21, 751-11/21, 761-71, 791-21
1	302004332	1	POWER CORD US	US 751-11/21
1	302004333	1	POWER CORD H05RR-F 3G1.5X8.4 AS3112 -AU	AU
1	302004336	1	SOCKET 13A/250V GB	GB,230V 751-11/21, 761-21
1	302004337	1	SOCKET 10A/250V CH	CH 751-11/21 761-21
1	302004338	1	SOCKET 15A/125V US/CSA	US 751-11/21 761-21
1	3750	1	Lås Ø20	
1	42538	1	"Motorpakningssæt "C" "	FOR IDENTIF. LETTER C
1	47035	1	COLLAR 55 SHORE A EPDM	19GALL.AE
1	47036	1	Gummipakning	
1	47302	1	Låseskive	
1	47364	1	PACKING RING 108X86X18	
1	48132	1	Sugeslange 3,5 m Ø27	791-2M/B1
1	48333	1	FINE-WIRE FUSE 6.3X32 10	590-21, 791-21, 791-2M/B1EUGB,230V
1	49594	1	Motor 220V 1200W	220-240V/1200W 751-71
1	49625	1	Kulsæt C	FOR IDENTIF. LETTER C
1	5149	1	Gulvmundstykke plast 400 mm Ø36	
1	60561	1	Sugemotor 220-240V 1200W	590-21, 791-21,, 791-2M/B1EUGB,230V
1	60877	1	BRACKET	
1	60901	1	Packing	
1	6114	1	Gummilæber (2 stk.)	
1	61167	1	MOTOR BEARING RING SET EC	FOR IDENTIF. LETTER C
1	61174	1	Jordkabel	
1	62359	1	GASKET 9X4X1	
1	6429	1	Sugeslange Alu Ø36Mm Pr.M	751-71
1	64937	1	SCREENING FILTER	EC 12GALLON AS/E, 791-2M/B1GB,110V

\* NOTE: PLEASE INDICATE LENGTHS IN METRES WHEN ORDERING

# ANBEFALEDE RESERVEDELE

ATTIX 7

20-08-2014

StyMiste ID  
A11IX7002

53

Pos	Vare nr.	Ant	Beskrivelse
1	65058	1	FINE-WIRE FUSE EC 12GALLON AS/E, 791-2M/B1GB,110V
1	7729	1	Geka kobling
1	909100204	1	Drejeknap 751-61-71

\* NOTE: PLEASE INDICATE LENGTHS IN METRES WHEN ORDERING