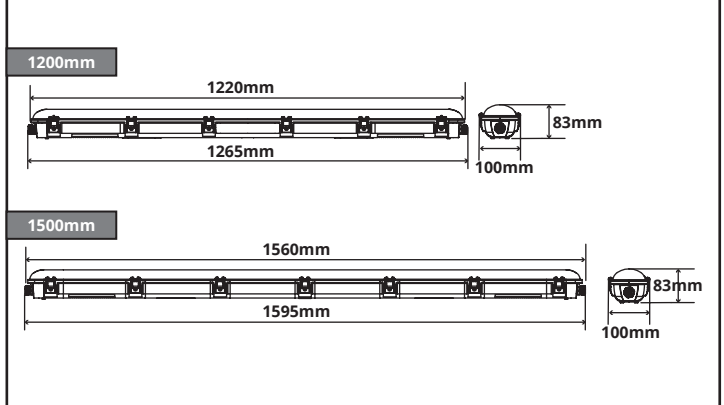


Item Description	EAN	CCT (K)	IP	IK	Ta (°C)	Vac	Hz	PF	CRI (Ra)	Input Current (A)	KG
LED Waterproof Zeus IP66 35W 1200 4000K Incl. 5x2.5mm TW DALI	8720094607191	4000	IP66	IK08	-25 ~+40	220-240	50/60	≥0.9	≥80	0.16	1.95
LED Waterproof Zeus IP66 51W 1500 4000K Incl. 5x2.5mm TW DALI	8720094607207	4000	IP66	IK08	-25 ~+40	220-240	50/60	≥0.9	≥80	0.23	2.4
LED Waterproof Zeus IP66 61W 1500 4000K Incl. 5x2.5mm TW DALI	8720094607498	4000	IP66	IK08	-25 ~+40	220-240	50/60	≥0.9	≥80	0.29	2.4

Inrush current

Driver	35W	51W	61W	
Electrical Characteristics				
Inrush Current I peak(A)	23.1	25.1	25.1	Input voltage 230V
Inrush Current Twidth(µs)	221	214	214	Input voltage 230V, measured at 50% Ipeak
Max. Number of Driver on MCB				
Type B 10A	13	13	13	
Type B 13A	17	17	17	
Type B 16A	22	21	21	
Type B 20A	27	26	26	
Type C 10A	22	21	21	
Type C 13A	29	28	28	
Type C 16A	37	35	35	
Type C 20A	45	43	43	

Dimensions



Installation

1

Item	L1 (mm)
Zeus 1200	860
Zeus 1500	1200

2

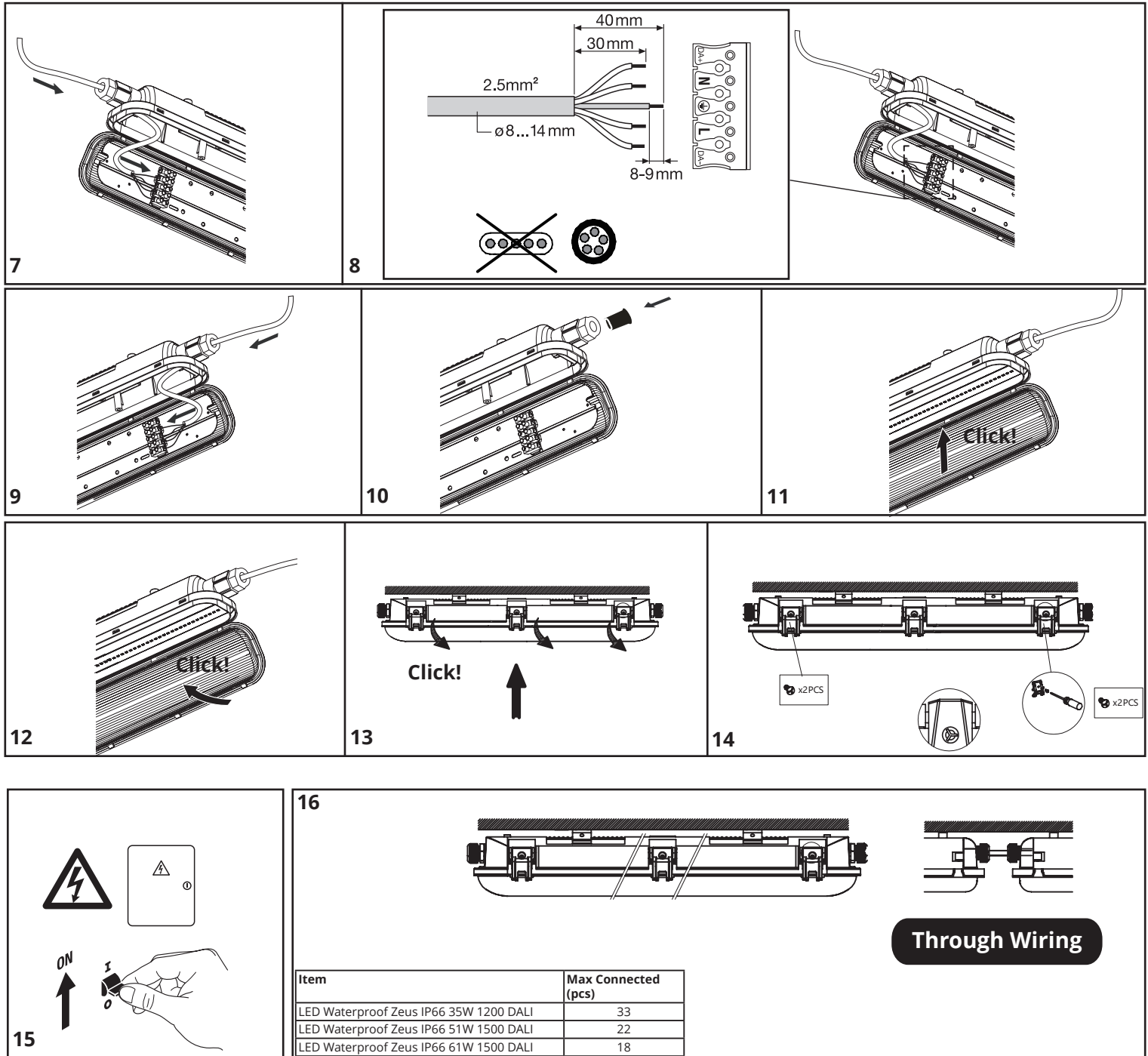
3a

3b

4

5

6



Warning

- Only qualified electrician is allowed to do installation, maintenance and inspection for safety concern. It is dangerous for non-professional operators.
- Power should be cut off before installation, maintenance or inspection.
- Please install and use the product strictly according to the instruction.
- Do not disassemble or remold the product at will to avoid accident of electric shock or light falling.
- Working out of temperature range of -25 ~ +40 will shorten the lifetime of the product.

