

## PRODUCT DESCRIPTION

The 2X2FT LED troffers are delivering high Lumen of exceptional 80+ CRI light while achieve 110 lumens per watt. It is available in 4000k, 5000k DLC CCT options and 0-10V dimming, which is perfect for new construction applications or retrofitting existing fluorescent troffer fixtures with recessed installation, widely used in office spaces, major retail stores, education, government, healthcare, and hospitality.

## PRODUCT SPECIFICATIONS

### • LED Chip

Use approved LM-80 SMD packing, Active color management maintains superior color consistency over time and temperature. Every fixture is tuned as a complete system to the optimal color point before shipment, ensuring fixture-to-fixture color consistency.

### • Construction:

Steel , commercial quality paint coating .

Bigger size MCPCB for better thermal management, by separating heat dissipation to reduce the weight of the lamp heat sinking.

IP Rating: IP20

Additional zhaga standard mounting hole.

### • Optical System

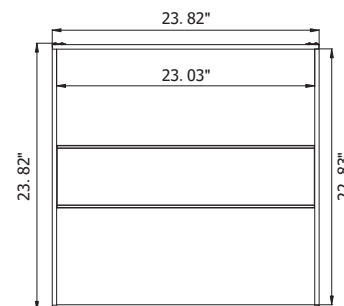
Central lens door enables convenience of PCBA's repalcing.

With double diffusion material, surface brightness even.

With a mask to prevent glare.

High optical grade lens providing good efficiency and impact resistance.

# 2'X2' LED TROFFER



## ORDER INFORMATION

Product code	Size mm.	Dimming	Fixture wattage	CCT	CRI(E)
65241	595x595	1-10V Dimming	40W	3,000k	E=80 CRI

## PERFORMANCE SUMMARY

Efficacy: 100 lm/w @4,000 kelvin (90 lm/w @3,000 kelvin)

Delivered Light Output: 3,600 lumen

Input Power: 40 Watt

CRI: Ra>80

DLC CCT: 3,000 kelvin

Input Voltage: 200-247 VAC

Diver output: DC36V 0.65A

THD: <20%(at 240V)

Power Factor: >0.9(240V)

Standard Warranty: 5 Years

Standard Lifetime: Designed to L70 minimum 50,000 hours

Mounting: Recessed

0-10V dimming (20%-100% smooth dimming)

Optional Function: Motion Sensor Available

Signal Current: 1.14mA

Dimensions: 595 x 595 mm. / H: 99 mm.

Recommended Dimmers: DIVA-DVTV(LUTRON), NOVA T NTSTV-DV(LUTRON), IP710-DL(LEVITON)

Fixture measurement and weight are round up, pls contact your OKT representative for exact data.

## REGULATORY & VOLUNTARY QUALIFICATIONS

ETL Listed Yes

cULus Listed E360437

DLC Qualifications Yes

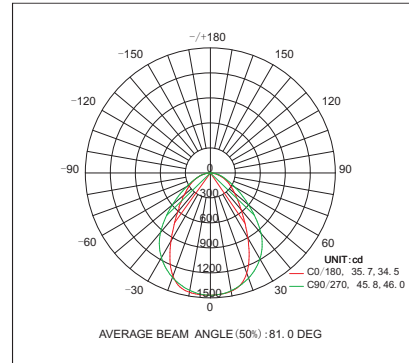
LM79 Report Yes

Damp Rated Yes

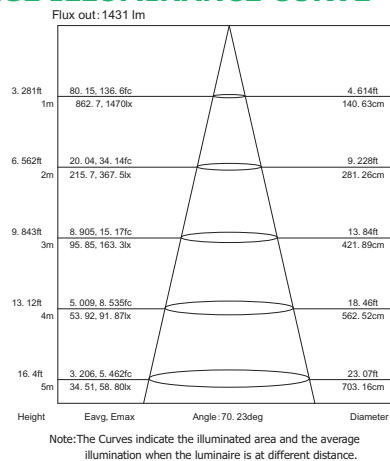
## PHOTOMETRY

Fixture photometry has been conducted accredited testing laboratory in accordance with IESNA LM-79-08. IESNA LM-79-08 specifies the entire luminaire as the source resulting in a fixture efficiency of 100%. Result may vary per actual order.

## LUMINOUS INTENSITY DISTRIBUTION DIAGRAM



## AVERAGE ILLUMINANCE CURVE



## ZONAL FLUX DIAGRAM

T	C0	C45	C90	C135	C180	C225	c270	c315
10	1441	1440	1436	1446	1454	1443	1431	1438
20	1279	1332	1342	1346	1318	1343	1333	1326
30	899.1	1056	1190	1076	948.7	1080	1176	1045
40	574.1	702.6	944.1	719.8	608.9	723.4	930.0	689.5
50	381.8	428.9	602.3	444.3	408.7	443.3	595.6	423.2
60	259.6	266.5	338.3	279.3	282.2	278.2	330.3	261.5
70	153.3	156.6	177.6	167.9	172.1	165.8	173.0	154.5
80	54.77	66.45	79.18	73.74	68.87	72.60	75.08	64.41
90	0	0.0014	0.0880	0.2290	0.4952	0	0	0

LUMINOUS INTENSITY: cd

## ZONAL LUMEN SUMMARY

T	φ zone	φ total	lum, lamp
0-10	138.9	138.9	4.94
10-20	393.7	532.6	19
20-30	554.0	1087	38.7
30-40	560.0	1647	58.6
40-50	458.6	2105	74.9
50-60	331.2	2436	86.7
60-70	219.9	2656	94.5
70-80	122.2	2778	98.9
80-90	31.01	2809	100

UNIT: lm

## COEFFICIENTS OF UTILIZATION

ppc	80%			70%			50%			30%			10%			0
	50%	30%	10%	50%	30%	10%	50%	30%	10%	50%	30%	10%	50%	30%	10%	0
pw	50%	30%	10%	50%	30%	10%	50%	30%	10%	50%	30%	10%	50%	30%	10%	0
pfc	20%			20%			20%			20%			20%			0
RCR	RCR: Room Cavity Ratio (CU)															
0.0	119	119	119	116	116	116	111	111	111	106	106	106	102	102	102	100
1.0	106	102	99	104	101	98	100	97	95	96	94	92	92	91	89	87
2.0	95	89	84	93	87	83	89	85	81	86	82	79	83	80	77	75
3.0	85	77	72	83	76	71	80	75	70	78	73	69	75	71	68	66
4.0	76	68	62	75	68	62	73	66	61	70	65	60	68	64	60	58
5.0	69	61	55	68	60	55	66	59	54	64	58	54	62	57	53	51
6.0	63	55	49	62	54	49	60	54	48	59	53	48	57	52	48	46
7.0	58	50	44	57	49	44	56	49	44	54	48	43	53	47	43	41
8.0	53	45	40	53	45	40	51	45	40	50	44	39	49	43	39	38
9.0	49	42	37	49	41	36	48	41	36	47	40	36	46	40	36	34
10.0	46	38	34	45	38	33	44	38	33	43	37	33	43	37	33	31