

# LEDGEAR™ Specification

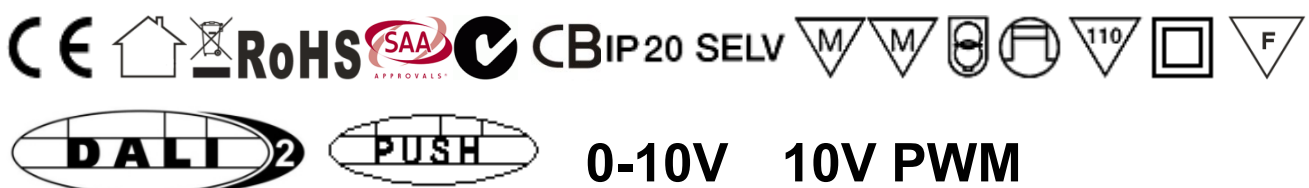
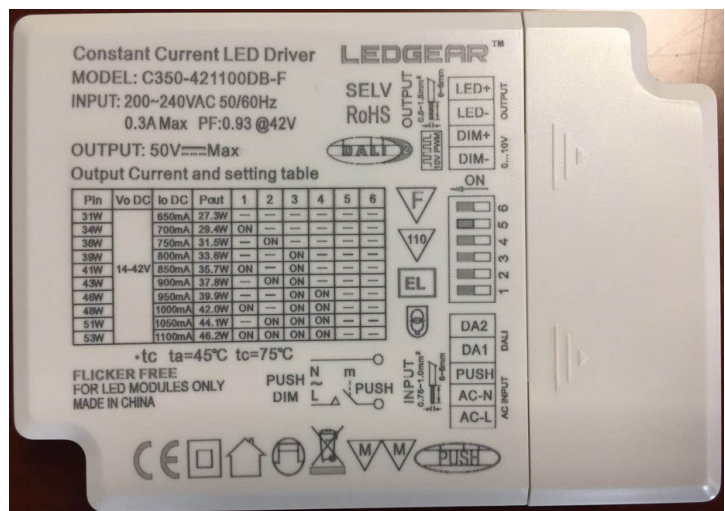
GENERAL GUIDELINES.....	1	Release of the wiring .....	6
PARAMETERS.....	3	Fixing conditions when using as independent Driver with Clip-On .....	6
DIAGRAM&INSTALLATION MANUAL.....	5	Wiring guidelines.....	6
PUSH Dimming Circuit diagram.....	5	MECHANICAL.....	7
DALI Diming Circuit diagram.....	5	PACKAGING .....	8
0-10V OR 10V PWM Dimming Circuit diagram .....	5	DIMMING COMPATIBILITY .....	9
Wiring type and cross section .....	6		

## GENERAL GUIDELINES

As a DALI member of DiiA, Kinglumi launched the fully functional LED electronics control gear LEDGEAR™ one4all version, it combinations DALI-2, Push-DIM, 0-10V and 10V PWM functions, also PIR and corridorFUNCTION for options.

They are positioned and designed to reduce your inventory and make it one for all applications, with adjustable current from 650mA to 1100mA.

LEDGEAR™ one4all supply constant current output. Operation from 200-240VAC and offers output voltage ranging between 14V and 42V. The driver without fans is design to be able to operate ambient temperature from -20° C to 40° C under free air convection (no total enclosed).



## **LED Electronic Control Gear**

DALI-2, Push-dim,0-10V, 10V PWM Constant Current Output  
With 14-42VDC Output Series



**KINGLUMI CO.,LTD.**

---

### **Product description**

- Easy and quick installed to the LED driver
- One4all design
- Constant current LED Driver, Output current 650 to 1100 mA
- For luminaires of protection class I and protection class II

### **Housing Properties**

- Casing: polycarbonate, white
- Type of protection IP20

### **Typical applications**

- For spot light and downlight in retail and hospitality applications
- For panel light and area light in office and education application

## LED Electronic Control Gear

DALI-2, Push-dim,0-10V, 10V PWM Constant Current Output

With 14-42VDC Output Series



KINBLUMI CO.,LTD.

## PARAMETERS

MODEL													
OUTPUT	DC voltage range	(14-42V) @36V											
	Rated current	650mA	700mA	750mA	800mA	850mA	900mA	950mA	1000mA	1050mA	1100mA		
	Current tolerance	±5%											
	Max. output power	23.4	25.2	27	28.8	30.6	32.4	34.2	36	37.8	39.6		
	Dimming range	1%-100%											
	Ripple & noise(max.)												
	Starting time	<0.3S @230V											
	Warm up time to 60%	<1.0 @230V											
	Turn off time	<2.0 @230V											
	Flicker percentage	<1%											
Flicker index													
INPUT	AC Voltage range	200-240VAC											
	Frequency range	47 ~ 63Hz											
	Max. input power	27.3	29.5	31.4	33.5	35.6	37.4	39.5	41.6	43.7	45.8		
	Power factor(typ.)	>0.9 at full power					>0.95 at full power						
	THD	<7%											
	Efficiency (typ.)	86.5%	86.5%	87%	87%	87%	87.5%	87.5%	87.5%	87.5%	87.5%	87.5%	
	AC current (typ.)	126	135	144	153	161	169	178	187	196	205		
	In-rush current (typ.)	<40A											
	Max. No. of psus on 16A circuit breaker												
	Leakage current	≤0.5mA											
	Switching cycles	>15,000											
Standby power	<1W												

## LED Electronic Control Gear

DALI-2, Push-dim,0-10V, 10V PWM Constant Current Output

With 14-42VDC Output Series



KINGLUMI CO.,LTD.

Protection	Over current	yes	yes	yes	yes	yes	yes	yes	yes	yes	yes	
	Short circuit	yes	yes	yes	yes	yes	yes	yes	yes	yes	yes	
	Over voltage	yes	yes	yes	yes	yes	yes	yes	yes	yes	yes	
	Over temperature	yes	yes	yes	yes	yes	yes	yes	yes	yes	yes	
	No-load operation	yes	yes	yes	yes	yes	yes	yes	yes	yes	yes	
	No damage at wrong mains voltage level	yes	yes	yes	yes	yes	yes	yes	yes	yes	yes	yes
Environment	Working Temp.	-20°C ~45°C										
	Max. case(tc point) Temp.	85°C										
	Working humidity	85%										
	Storage temp., humidity	-40°C ~80°C										
Connection	AC Connector	Push Type Terminal, Max. 1.5mm <sup>2</sup> input cable										
	DC Connector/	Not included										
	Output wire(type, length)	Not included										
Others	MTBF											
	Warranty years	5										
	Lifespan (hrs) @ ta=25°C	≧ 50000H										
	Glow wire test	>650°C										
	Dimension L x W x H	110X76X30mm										
	Packing											

**LED Electronic Control Gear**

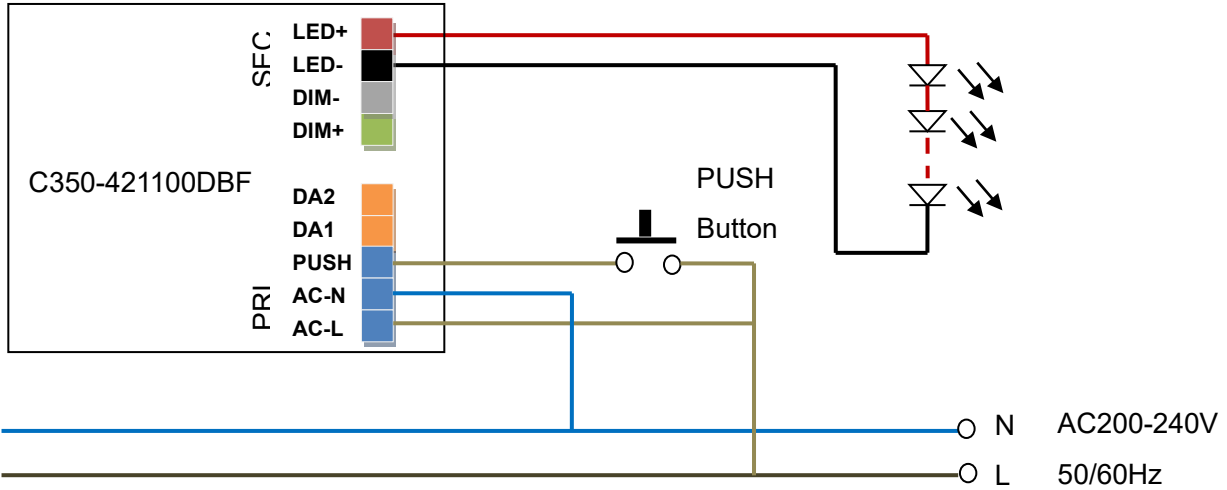
DALI-2, Push-dim,0-10V, 10V PWM Constant Current Output  
With 14-42VDC Output Series



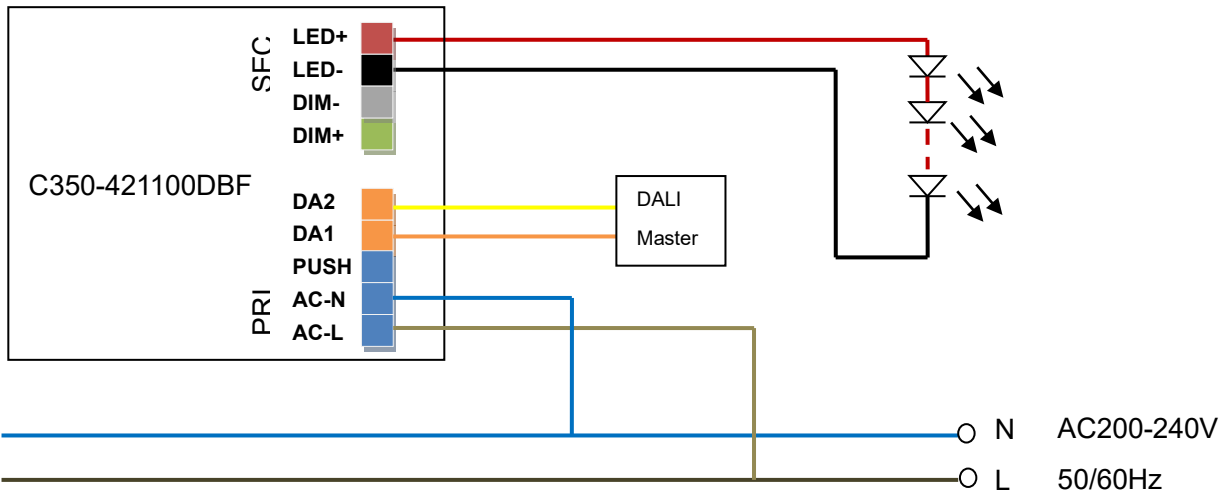
KINGLUMI CO.,LTD.

**DIAGRAM&INSTALLATION MANUAL**

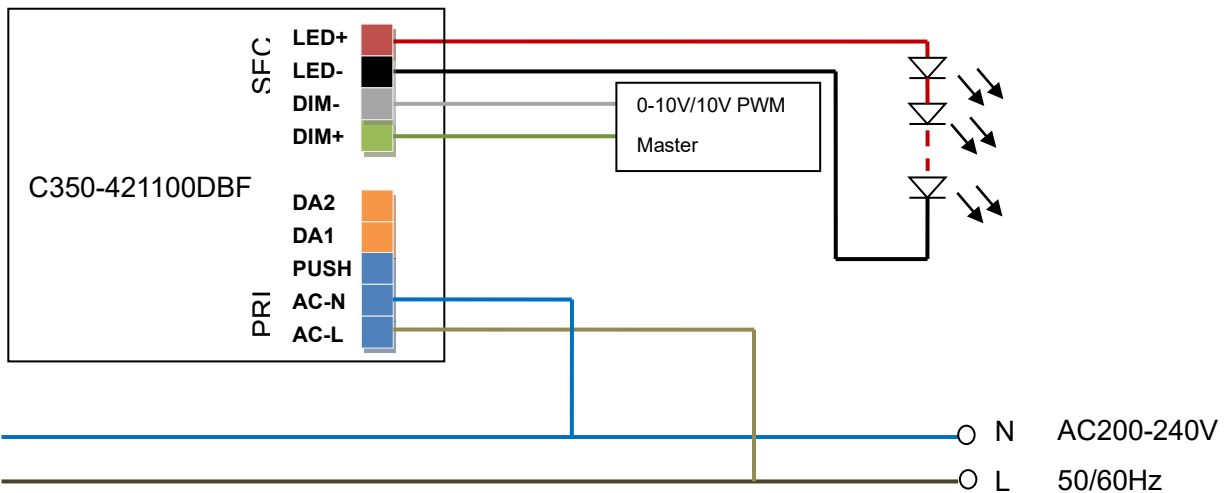
**PUSH Dimming Circuit diagram**



**DALI Diming Circuit diagram**



**0-10V OR 10V PWM Dimming Circuit diagram**



## LED Electronic Control Gear

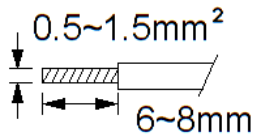
DALI-2, Push-dim, 0-10V, 10V PWM Constant Current Output  
With 14-42VDC Output Series



KINGLUMI CO., LTD.

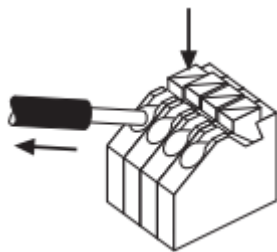
### Wiring type and cross section

The wiring can be in stranded wires with ferrules or solid with a cross section of 0.5–1.5 mm<sup>2</sup>. Strip 6–8 mm of insulation from the cables to ensure perfect operation of the push-wire terminals. Use one wire for each terminal connector only



### Release of the wiring

Press down the “push button” and remove the cable from front.



### Fixing conditions when using as independent Driver with Clip-On

Dry, acid-free, oil-free, fat-free. It is not allowed to exceed the maximum ambient temperature ( $t_a$ ) stated on the device. Minimum distances stated below are recommendations and depend on the actual luminaire. Is not suitable for fixing in corner.

### Wiring guidelines

- All connections must be kept as short as possible to ensure good EMI behavior.
- Mains leads should be kept apart from LED Driver and other leads (ideally 5 – 10 cm distance)
- Max. length of output wires is 2 m.
- Secondary switching is not permitted
- Incorrect wiring can damage LED modules
- The wiring must be protected against short circuits to earth (sharp edged metal parts, metal cable clips, louver, etc.)

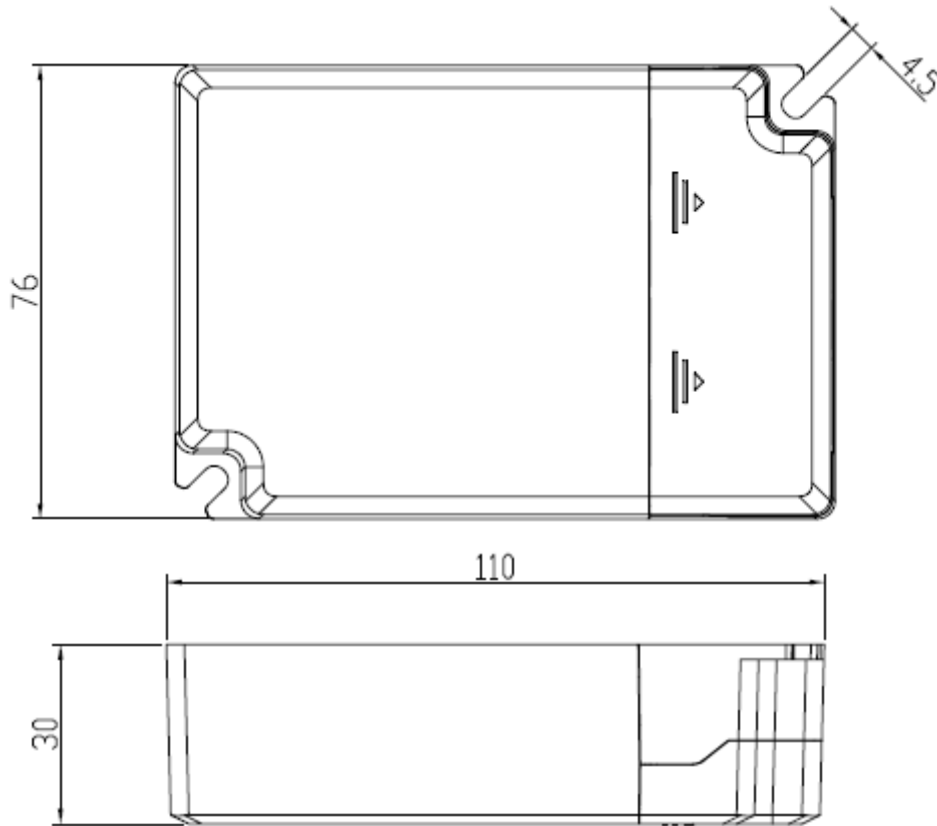
**LED Electronic Control Gear**

DALI-2, Push-dim,0-10V, 10V PWM Constant Current Output  
With 14-42VDC Output Series



KINGLUMI CO.,LTD.

**MECHANICAL**



Constant Current LED Driver **LEDGEAR™**  
 MODEL: C350-421100DB-F  
 INPUT: 200~240VAC 50/60Hz  
 0.3A Max PF:0.93@42V  
 OUTPUT: 50V  $\bar{\bar{=}}$  Max  
 Output Current and setting table

Pin	Vo DC	Io DC	Po	1	2	3	4	5	6
31W	14-42V	650mA	27.3W	-	-	-	-	-	-
34W		700mA	29.4W	ON	-	-	-	-	-
36W		750mA	31.5W	-	ON	-	-	-	-
39W		800mA	33.6W	-	-	ON	-	-	-
41W		850mA	35.7W	ON	-	ON	-	-	-
43W		900mA	37.8W	-	ON	ON	-	-	-
46W		950mA	39.9W	-	-	ON	ON	-	-
48W		1000mA	42W	ON	-	ON	ON	-	-
51W		1050mA	44.1W	-	ON	ON	ON	ON	-
53W		1100mA	46.2W	ON	ON	ON	ON	ON	-

tc ta=45°C tc=75°C

**FLICKER FREE**  
FOR LED MODULES ONLY  
MADE IN CHINA

**SELV**  
**RoHS**

**DALI**

OUTPUT: 0.5~1.5mm<sup>2</sup> 10V PWM  $\bar{\bar{=}}$  0-8mm

INPUT: 0.75~1.0mm<sup>2</sup> 0-8mm

PUSH DIM L N m PUSH

LED+ LED- DIM- DIM+ ON

0...10V OUTPUT

AC INPUT DALI 1 2 3 4 5 6

DA2 DA1 PUSH AC-N AC-L

**LED Electronic Control Gear**

DALI-2, Push-dim,0-10V, 10V PWM Constant Current Output  
With 14-42VDC Output Series



*KINGLUMI CO.,LTD.*

**PACKAGING**

Unit Box	Length x Width x Height (cm)	NA
	Net Weight (kg)	NA
Inner Carton	Qty per carton	NA
	Length x Width x Height (cm)	NA
	Net Weight (kg)	NA
Master Carton	Qty per carton	50
	Length x Width x Height (cm)	57.5x18.5x19
	Net Weight (kg)	0.19
	Gross Weight (kg)	NA

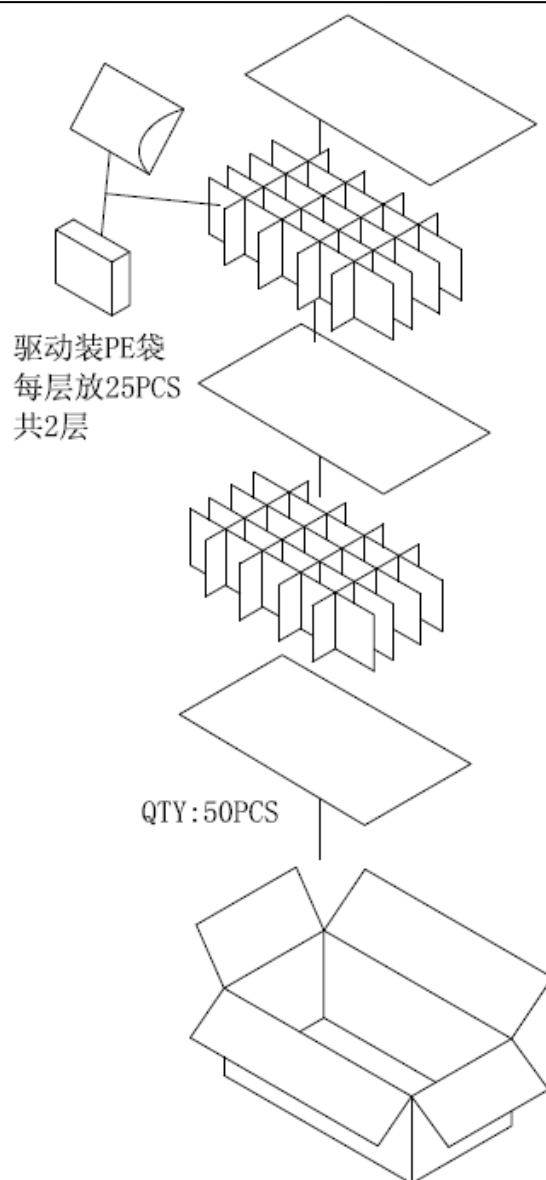


## LED Electronic Control Gear

DALI-2, Push-dim,0-10V, 10V PWM Constant Current Output  
With 14-42VDC Output Series



KINGLUMI CO.,LTD.



## DIMMING COMPATIBILITY

NA

**LED Electronic Control Gear**

DALI-2, Push-dim,0-10V, 10V PWM Constant Current Output

With 14-42VDC Output Series



**KINGLUMI CO.,LTD.**

VERSION #

#	MODIFICATIONS	Date.
1	Version 1	2018.08.17
2		
3		
4		
5		
6		
7		
8		
9		
10		
11		
12		