



LED Mirror Light

ML01

Introduction



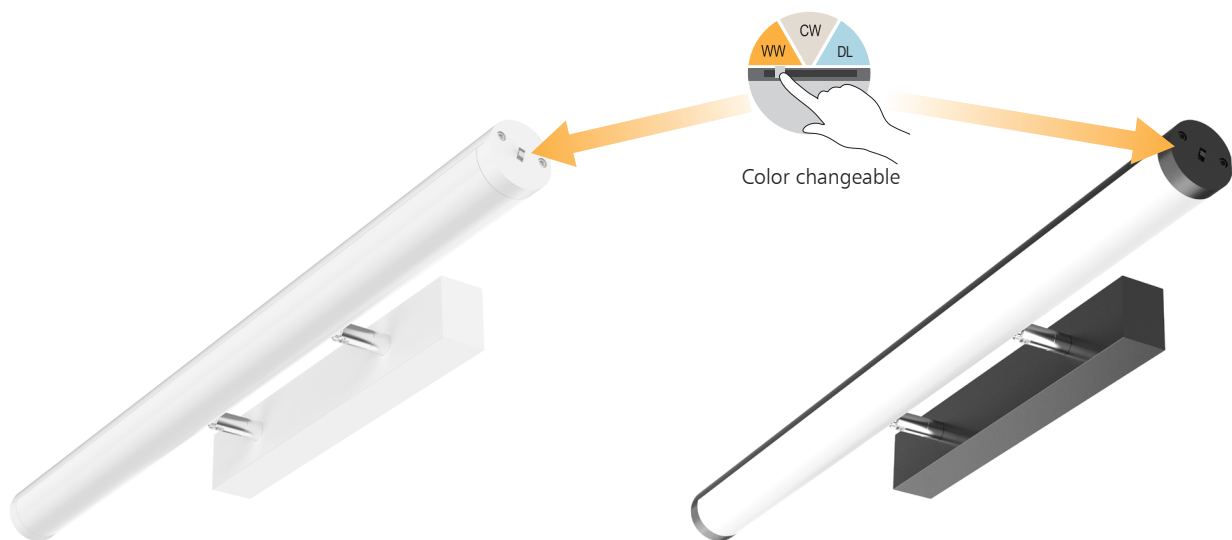
◀ ML01 Mirror light adopts high transmittance PC lampshade; With concise and elegant design, perfect details to create a sense of stylish.

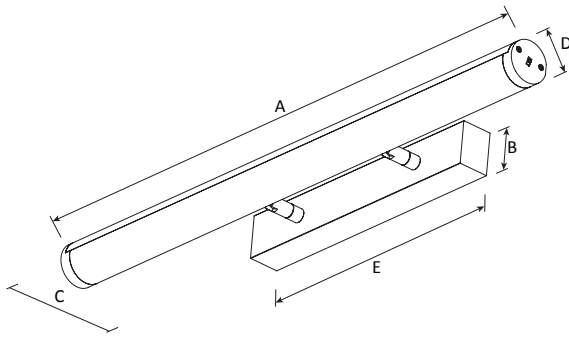
Features

1. High lumen SMD LED with 110lm/W light effect.
2. Multiple finish color for option(Brush Nickel, Chrome plated, Matt Black).
3. Convenient installation and disassembling.
4. Interchangeable CCT by slide switch.

Application Areas

Hotel, Shopping mall, home, restanrant, etc





Measurement

Model	Dimension(mm)					Size(mm)	Product Weight (Kg)		Package weight (Kg)		Carton Size(cm)	Qty/CTN	20GP (pcs)	40HQ (pcs)
	A	B	C	D	E		N.W/PC	G.W/PC	N.W/CTN	G.W/CTN				
ML01-580	580	41	111	40	285	580*41*111	0.66	0.77	7.92	10.5	63*39.5*22	12	6240	15120
ML01-860	860	41	111	40	440	860*41*111	0.87	1.035	10.44	13.8	91*39.5*22	12	4080	10080
ML01-1140	1140	41	111	40	560	1140*41*111	1.03	1.295	12.36	17.2	119*39.5*22	12	2640	6768

Technical Data Sheet

Model No.	ML01-580-10W		ML01-860-15W		ML01-1140-20W	
Watt(W)	10W		15W		20W	
Dimension(mm)	580*41*111		860*41*111		1140*41*111	
Rated Input Voltage(V)	AC100-240V					
Input Voltage(V)	AC85-265V					
LED	SMD					
SDCM	<6					
CCT(K)	1-CCT: 3000K / 4000K / 5000K / 5700K 3-CCT: 3000K + 4000K + 5700K					
"Luminous Flux (lm) ±5%	1-CCT	Non-DIM	1040~1180	1400~1845	2100~2300	
		DIM	-	-	-	
	3-CCT	Non-DIM	1020~1150	1400~1950	2100~2430	
		DIM	-	-	-	
CRI	≥80					
Beam Angle (°)	120°					
UGR	-					
LED Driver	Built-in					
DIM	-					
CCT Selection Switch	Yes					
Protection Class	Class I					
IP Rating	IP40					
IK Rating	IK08					
Finishing color	White RAL 9016					
Material	AL+PC					
Lifetime (hr)	50,000h					
Glow wire test (°C)	750°C					
Operating Temp.(°C)	-20°C ~45°C					
Storage Temp.(°C)	-20°C ~65°C					
Installation	Wall mount					
Brand Driver option	-					

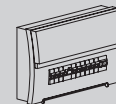
Driver Datasheet (Non-Dimmable)

Power	10W	15W	20W
Rated Input Voltage(V)	AC100-240V		
Frequency	50/60Hz		
Input Voltage	AC85-265V		
Efficiency	82%	85%	85%
Total load wattage	10W±1W	15W±5%	20W±5%
Power Factor	0.9		
Rated Input Current	≤0.11A	≤0.17A	≤0.22A
Full load output voltage	DC24-40V	DC24-40V	DC24-40V
Rated output current	250mA	350mA	490mA
Output current range	250mA±5%	350mA±5%	490mA±5%
Power tolerance	±5%		
Current output tolerance	±5%		
Short circuit protection	PASS		
Over voltage protection	PASS		
Over temperature protection	PASS		
THD	≤20% @ 230VAC		
Surge	L-N 500V		
Withstand voltage	AC3750V		

Installation Procedure

WARNING ⚡

1. Switch off before installation.
2. Switch on only after complete installation and examination of the circuit.
3. Professional electrician for installation and maintenance only.

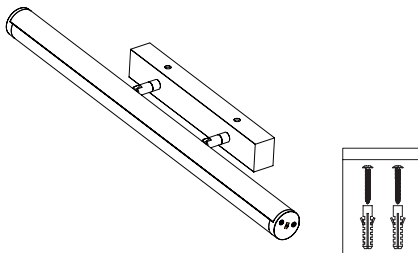


**Turn Off
Power Supply**

Turn Off power supply before starting any installation. Read instructions & check you have all the tools & accessories to complete the installation correctly.

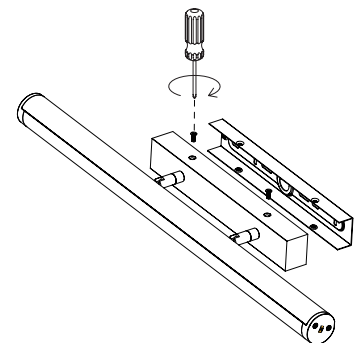
Installation

Step 1



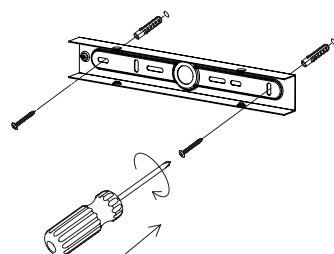
Take out the lamp and accessory pack from box.

Step 2



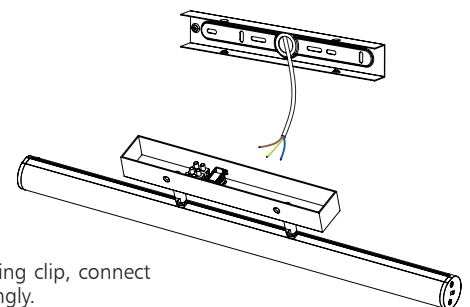
Take out the bracket.

Step 3



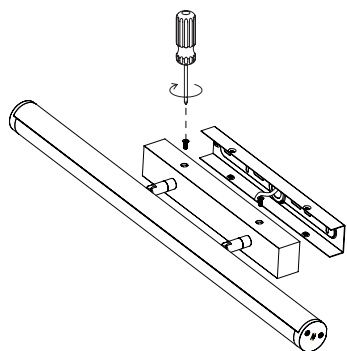
Knock the plastic anchor into ceiling.
Fix bracket with screw on the ceiling.

Step 4



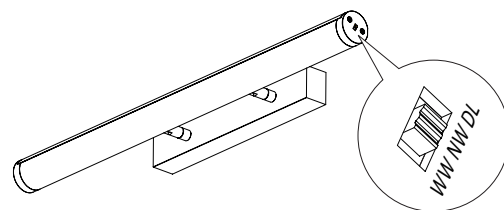
Remove the line pressing clip, connect the wires correspondingly.

Step 5



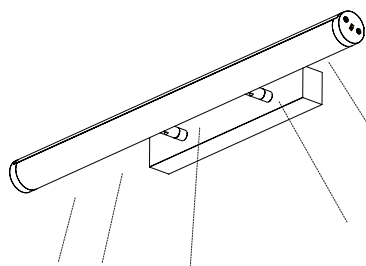
Fix the lamp on the bracket .

Step 6



Slide the preferred CCT before turn on the lamp.

Step 7



Switch on.

