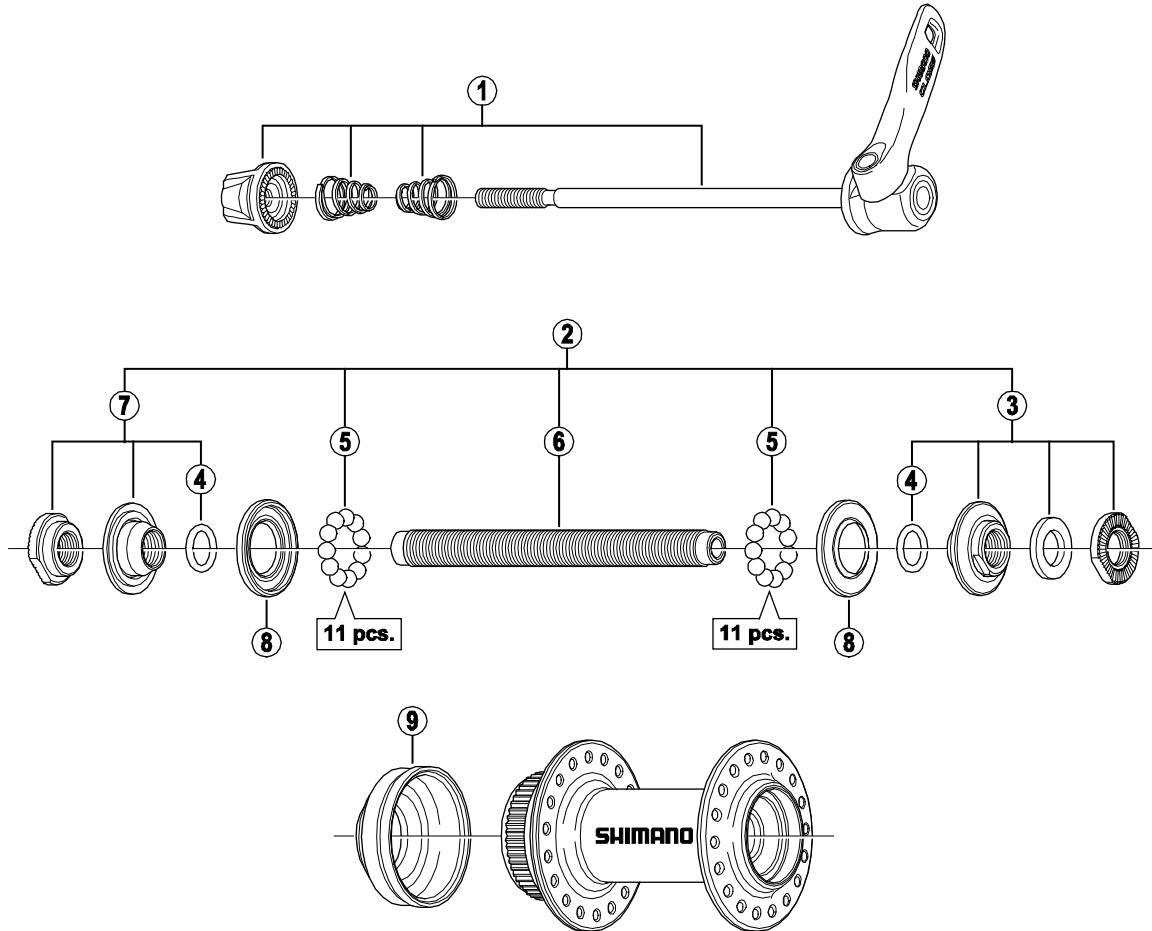


Front Hub (for Disc Brake)

HB-M435-S Silver Version

HB-M435-L Black Version



• Over Lock Nut Dimension: 100 mm (3-15/16")

ITEM NO.	SHIMANO CODE NO.	DESCRIPTION	INTERCHANGEABILITY	
1	Y4BG98010	Complete Quick Release 133 mm (5-1/4")	B	B
2	Y2U098010	Complete Hub Axle 108 mm (4-1/4")		
3	Y2TE98040	Right Hand Lock Nut Unit		
4	Y2T804000	O-Ring	A	A
5	Y4BB98030	Steel Ball (3/16") 22 pcs.	A	A
6	Y25W03000	Hub Axle M10 x 108 mm (4-1/4")		A
7	Y2U098020	Left Hand Lock Nut Unit		
8	Y2TA06000	Seal Ring	A	A
9	Y25Y06000	Rotor Mount Cover	A	

A: Same parts.

B: Parts are usable, but differ in materials, appearance, finish, size, etc.

Absence of mark indicates non-interchangeability.

HB-M595
HB-M495A

Mar.-2010-3025
© Shimano Inc. I

Specifications are subject to change without notice.

SHIMANO