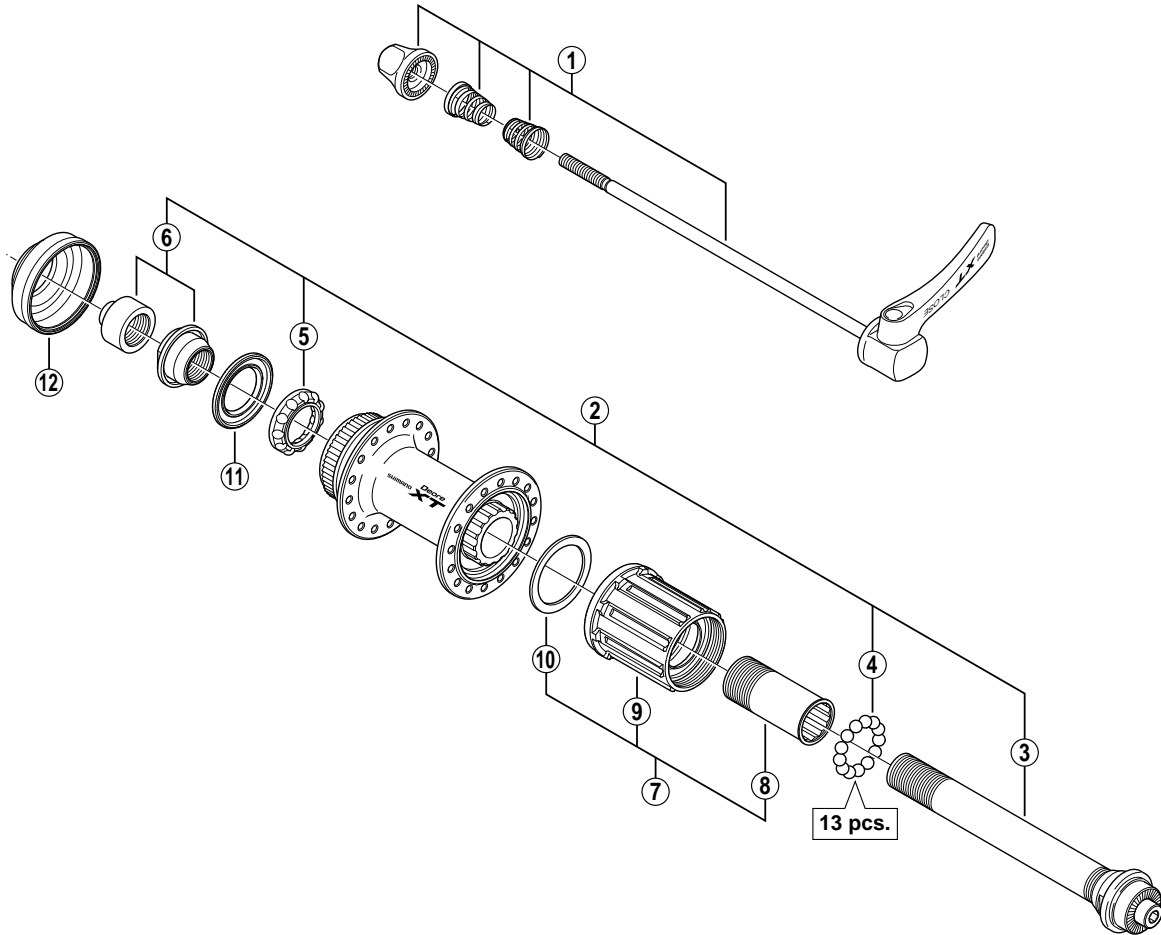


DEORE XT Freehub (8/9-Speed) for Disc Brake

**FH-M775-S** Silver Version  
**FH-M775-L** Black Version



• Over Lock Nut Dimension: 135 mm (5-5/16")

ITEM NO.	SHIMANO CODE NO.	DESCRIPTION	FH-M770 FH-M975 FH-M765		
			INTERCHANGEABILITY		
1	Y-3D0 98010	Complete Quick Release 168 mm (6-5/8") / Silver	A	B	B
	Y-3D0 98020	Complete Quick Release 168 mm (6-5/8") / Black	B	B	B
	Y-3D0 98030	Complete Quick Release 173 mm (6-13/16") / Silver	A	B	B
	Y-3D0 98040	Complete Quick Release 173 mm (6-13/16") / Black	B	B	B
2	Y-3D0 98050	Complete Hub Axle			
3	Y-3CZ 98020	Hub Axle Unit	A	B	
4	Y-000 91210	Steel Ball (3/16") 20 pcs.	A	B	
5	Y-26J 98030	Ball Retainer (3/16")	A		
6	Y-3D0 98060	Left Hand Lock Nut (M14) & Cone (M14) w/Dust Cover			
7	Y-3CZ 98040	Complete Freewheel Body w/Body Fixing Bolt	A	B	
8	Y-3CZ 18000	Body Fixing Bolt	A	B	
9	Y-3CZ 98050	Freewheel Body Unit	A	B	
10	Y-3CZ 12000	Freewheel Body Washer	A	B	
11	Y-26D 10000	Seal Ring	A	A	
12	Y-25Y 06000	Rotor Mount Cover	A	A	A

A: Same parts.

B: Parts are usable, but differ in materials, appearance, finish, size, etc.

Absence of mark indicates non-interchangeability.

0807-2700A

Specifications are subject to change without notice.

**SHIMANO**