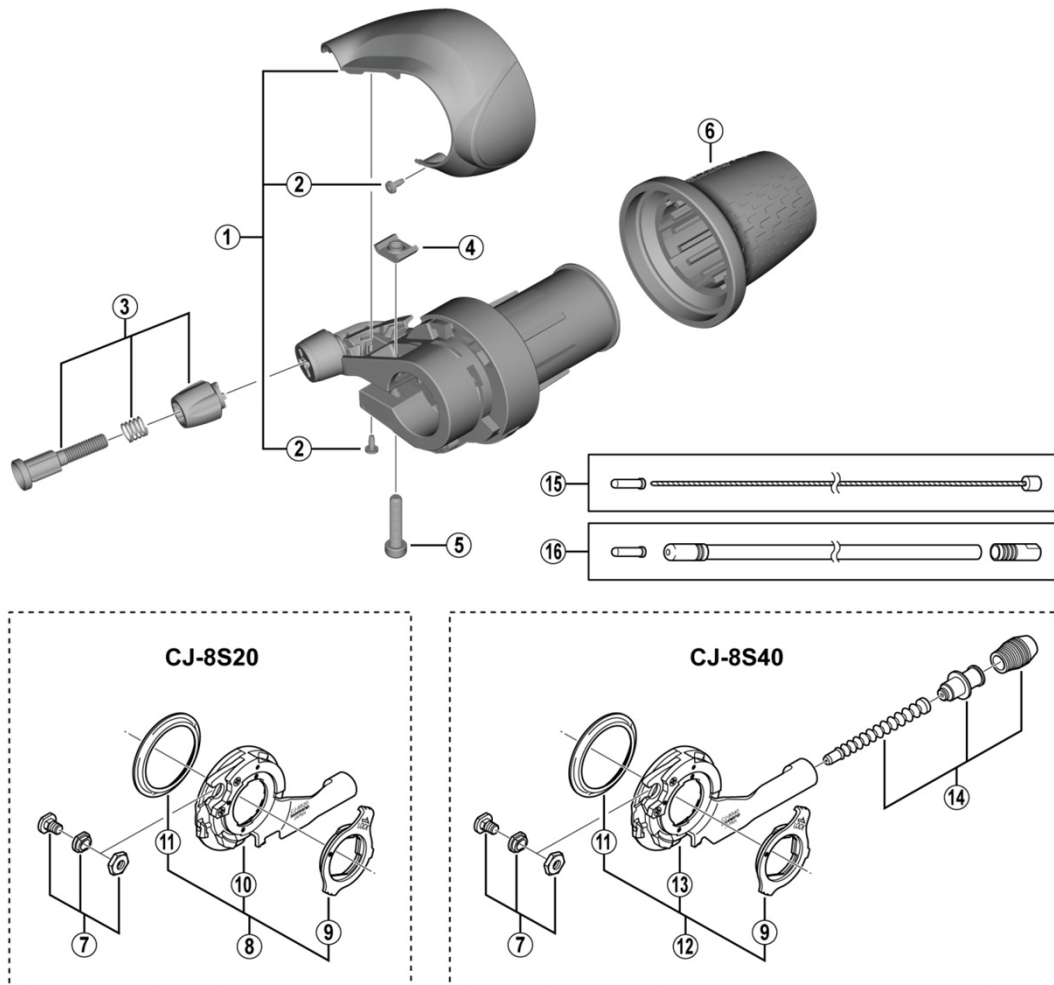


NEXUS REVOSHIFT Shifter SL-C6000-8 8-speed



SB-C6000

SL-8S31

ITEM NO.	SHIMANO CODE NO.	DESCRIPTION	INTERCHANGEABILITY		
1	Y0EA98010	Indicator Cover & Fixing Screws (Silver)			
	Y0EA98020	Indicator Cover & Fixing Screws (Black)			
2	Y6F004020	Cover Fixing Screw (Silver)	A	A	
	Y6F004000	Cover Fixing Screw (Black)	A	A	
3	Y01A98010	Cable Adjustment Barrel Unit	A	A	
4	Y6NA08000	Clamp Nut		A	
5	Y6F409100	Clamp Bolt (M4 x 18.7)		A	
6	Y6FD14000	Grip	A	A	
7	Y74Y98030	Inner Cable Fixing Bolt Unit	A	A	
8	Y74Y98120	CJ-8S20 Cassette Joint Unit	A	A	
9	Y33Z98020	Cassette Joint Fixing Ring	A	A	
10	Y74Y98130	CJ-8S20 Cassette Joint	A	A	
11	Y74Y18000	Driver Cap	A	A	
12	Y74Y98140	CJ-8S40 Cassette Joint Unit	A	A	
13	Y74Y98150	CJ-8S40 Cassette Joint	A	A	
14	Y74Y98160	Outer Casing Holder Unit	A	A	
15	Y60098911	Shift inner cable stainless steel • Stainless steel inner cable • Diameter 1.2 mm x 2100 mm incl. inner end cap		A	
* 16	Y6YE98010	SP41 shift outer casing • SP41 (2100 mm) with sealed outer cap • Sealed outer cap (1 pc.) • Inner end cap (1 pc.)			

A: Same parts.

B: Parts are usable, but differ in materials, appearance, finish, size, etc.

Absence of mark indicates non-interchangeability.

Specifications are subject to change without notice.

Mar.-2020-4274A

© Shimano Inc. I

SHIMANO