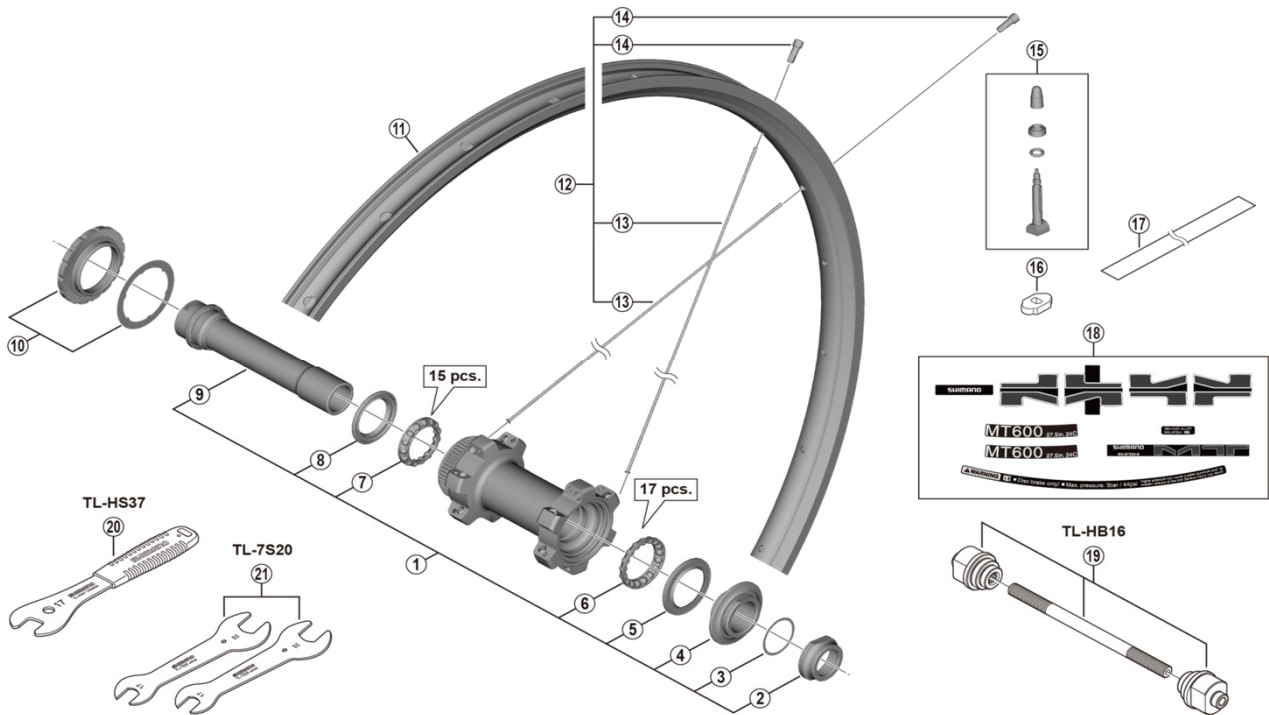


Front Wheel WH-MT600-TL-F15-B-275



WH-MT500-F15-B-275

• Over Lock Nut Dimension: 110 mm (4-11/32")

ITEM NO.	SHIMANO CODE NO.	DESCRIPTION	INTERCHANGEABILITY	
1	Y0G198010	Complete Hub Axle	A	
2	Y24612000	Right Hand Lock Nut	A	
3	Y24613000	Adjusting Washer	A	
4	Y24698040	Right Hand Cone w/Dust Cap	A	
5	Y27X15000	Right Hand Seal Ring	A	
6	Y27X98030	Right Hand Ball Retainer (5/32" x 17)	A	
7	Y27X98040	Left Hand Ball Retainer (5/32" x 15)	A	
8	Y27X14000	Left Hand Seal Ring	A	
9	Y2AJ98020	Hub Axle Unit	A	
10	Y24698030	Lock Ring & Washer	A	
11	-	Rim {24H}		
12	-	Spoke Unit {Spoke (281 mm x 24 pcs.) / Nipple (24 pcs.)}		
13	Y0G2S2000	Spoke (281 mm)		
14	Y012Z4075	Nipple		
15	Y4RJ98020	Valve Unit		
16	Y4RJ10000	Valve Tool		
17	Y48J00010	Tubeless Tape		
18	Y0FY98010	Rim Sticker Unit		
18	Y0FY98020	Rim Sticker Unit (Red)		
18	Y0FY98030	Rim Sticker Unit (Blue)		
18	Y0FY98040	Rim Sticker Unit (Orange)		
18	Y0FY98050	Rim Sticker Unit (Green)		
18	Y0FY98060	Rim Sticker Unit (Yellow)		
18	Y0FY98070	Rim Sticker Unit (Gray)		
19	Y20W98020	TL-HB16 Hub Setting Tool	A	
20	Y23098030	TL-HS37 Hub Spanner (17 mm)	A	
21	Y13098900	TL-7S20 Hub Spanner (17 mm x 22 mm) 2 pcs.	A	

A: Same parts.

B: Parts are usable, but differ in materials, appearance, finish, size, etc.

Absence of mark indicates non-interchangeability.

Specifications are subject to change without notice.

Jun.-2018-4420

© Shimano Inc. ITP

SHIMANO