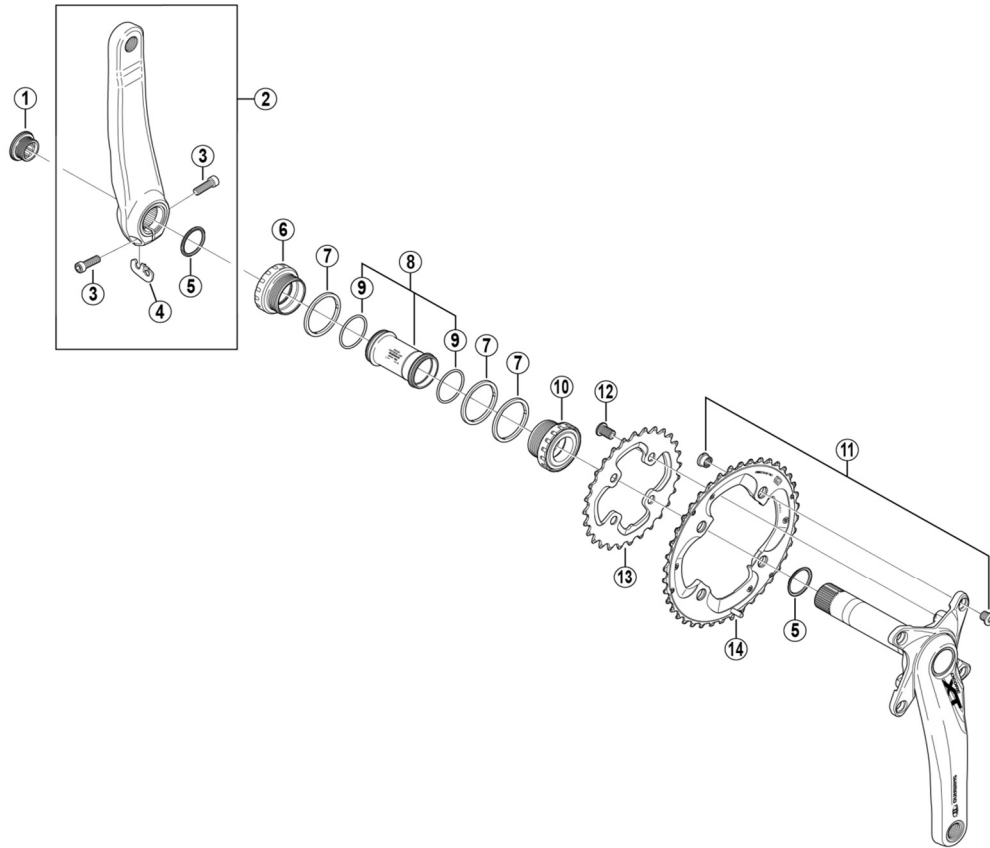


DEORE XT Front Chainwheel FC-M785



- Chaining teeth combinations: 38-24T(AM) / 38-26T(AK) / 40-28T(AJ)
- Bolt circle diameter: 104 mm...(For outer gear), 64 mm...(For inner gear)

ITEM NO.	SHIMANO CODE NO.	DESCRIPTION	INTERCHANGEABILITY		
			FC-M985	FC-M780	FC-M770-10
1	Y1F811100	Crank Arm Fixing Bolt	B	A	A
2	Y1MM98010	Left Hand Crank Arm 165 mm (Silver)		A	B
	Y1MM98020	Left Hand Crank Arm 165 mm (Black)		A	B
	Y1MM98030	Left Hand Crank Arm 170 mm (Silver)		A	B
	Y1MM98040	Left Hand Crank Arm 170 mm (Black)		A	B
	Y1MM98050	Left Hand Crank Arm 175 mm (Silver)		A	B
	Y1MM98060	Left Hand Crank Arm 175 mm (Black)		A	B
	Y1MM98070	Left Hand Crank Arm 180 mm (Silver)		A	B
	Y1MM98080	Left Hand Crank Arm 180 mm (Black)		A	B
* 3	Y1GS21000	Clamp Bolt with Washer (M6 x 21)			
4	Y1FU98120	Plate		A	A
5	Y1F316000	Ring	A	A	A
6	Y1J198080	Left Hand Adapter (B.C.1.37" x 24T) English Thread (SM-BB70)	B	A	A
7	Y1F813000	Spacer (2.5 mm)	A	A	A
8	Y1E598210	Inner Cover & O-Ring	B	A	A
9	Y1TF21000	O-Ring	A	A	A
10	Y1J198090	Right Hand Adapter (B.C.1.37" x 24T) English Thread (SM-BB70)	B	A	A
11	Y1ML98010	Outer Gear Fixing Bolt (M8 x 7) & Nut (4 sets)			
12	Y1MM98100	Inner Gear Fixing Bolt (M8 x 8.5 / 4 pcs.)		A	B
13	Y1ML24000	Chainring 24T-AM			
	Y1ML26000	Chainring 26T-AK			
	Y1ML28000	Chainring 28T-AJ			
14	Y1ML98040	Chainring 38T-AM			
	Y1ML98020	Chainring 38T-AK			
	Y1ML98030	Chainring 40T-AJ			

A: Same parts.

B: Parts are usable, but differ in materials, appearance, finish, size, etc.

Absence of mark indicates non-interchangeability.

Specifications are subject to change without notice.

Jan.-2018-3165B

© Shimano Inc. I

SHIMANO