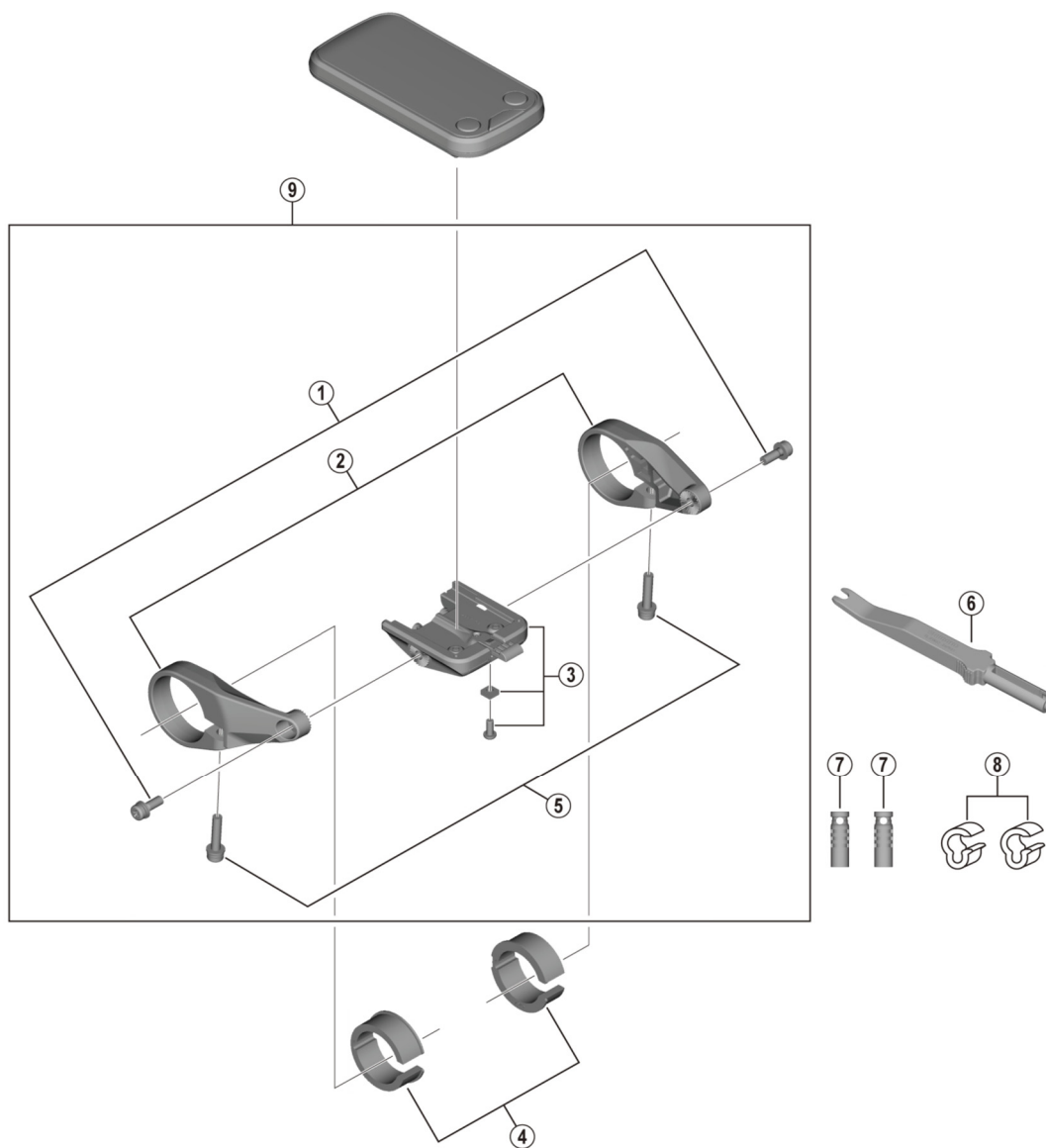


E6100 Series Cycle Computers

SC-E6100



ITEM NO.	SHIMANO CODE NO.	DESCRIPTION
1	Y78S98010	Stay Fixing Screw (M4 x 11 mm) 2 pcs.
2	Y78S98020	Stay R & Stay L
3	Y78S98030	Bracket Terminal
4	Y70Z98040	Adapter (Dia. 25.4 mm) 2 pcs.
5	Y70Z98050	Clamp Screw (M4 x 20 mm) 2 pcs.
	Y70Z98010	Clamp Screw (M4 x 15.5 mm) 2 pcs.
6	Y6VE16000	TL-EW02 Plug Tool
7	Y6VE15000	Dummy Plug
8	Y70H98040	Band A (2 pcs.)
* 9	Y78S98040	Bracket Unit

May-2019-4440A
© Shimano Inc. I

Specifications are subject to change without notice.

SHIMANO