

Dealer's Manual

Chain (11-speed)

CN-9000
CN-6800
CN-HG901-11
CN-HG900-11
CN-HG701-11
CN-HG700-11
CN-HG601-11
CN-HG600-11
CN-E8000-11

CONTENTS

| | |
|---|----------|
| IMPORTANT NOTICE | 3 |
| TO ENSURE SAFETY | 4 |
| INSTALLATION..... | 8 |
| How to use | 8 |
| Chain length..... | 9 |
| ■ Rear derailleur for ROAD..... | 9 |
| ■ Rear derailleur for MTB/Trekking..... | 10 |

IMPORTANT NOTICE

- **This dealer's manual is intended primarily for use by professional bicycle mechanics.**

Users who are not professionally trained for bicycle assembly should not attempt to install the components themselves using the dealer's manuals.

If any part of the information on the manual is unclear to you, do not proceed with the installation. Instead, contact your place of purchase or a local bicycle dealer for their assistance.

- Make sure to read all instruction manuals included with the product.
- Do not disassemble or modify the product other than as stated in the information contained in this dealer's manual.
- All dealer's manuals and instruction manuals can be viewed on-line on our website (<http://si.shimano.com>).
- Please observe the appropriate rules and regulations of the country, state or region in which you conduct your business as a dealer.

For safety, be sure to read this dealer's manual thoroughly before use, and follow it for correct use.

The following instructions must be observed at all times in order to prevent personal injury and physical damage to equipment and surroundings.

The instructions are classified according to the degree of danger or damage which may occur if the product is used incorrectly.

DANGER

Failure to follow the instructions will result in death or serious injury.

WARNING

Failure to follow the instructions could result in death or serious injury.

CAUTION

Failure to follow the instructions could cause personal injury or physical damage to equipment and surroundings.


TO ENSURE SAFETY

WARNING

- Be sure to follow the instructions provided in the manuals when installing the product.

It is recommended to use genuine Shimano parts only. If parts such as bolts and nuts become loose or damaged, the bicycle may suddenly fall over, which may cause serious injury.

In addition, if adjustments are not carried out correctly, problems may occur, and the bicycle may suddenly fall over, which may cause serious injury.

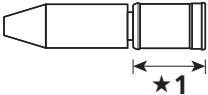
-  Be sure to wear safety glasses or goggles to protect your eyes while performing maintenance tasks such as replacing parts.
- After reading the dealer's manual thoroughly, keep it in a safe place for later reference.

Be sure to also inform users of the following:

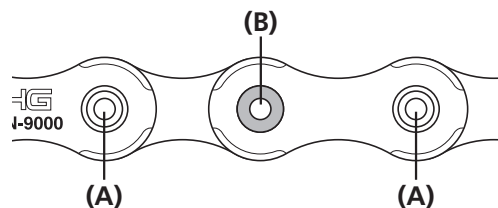
- *Intervals between maintenance depend on the use and riding circumstances. Clean the chain with an appropriate chain cleaner regularly. Never use alkali based or acid based solvents, such as rust cleaners. If those solvent be used chain might break and cause serious injury.*
- Check the chain for any damage (deformation, cracks, or corrosion), elongation due to wear, skipping, or other abnormalities such as unintended gear shifting. If any problems are found, consult a dealer or an agency. If you continue to ride the bicycle in such a condition, the chain may break causing the bicycle to fall, and serious injury may result.

For Installation to the Bicycle, and Maintenance:

- Only use the tool and connecting pin models specified in the table to connect the chain. If unsuitable connecting pins or tools are used to connect the chain, the connecting pin force may not be sufficient, which could cause the chain to break or fall off.

| | |
|----------------|--|
| Chain | 11-speed CN-9000/6800/HG901-11/ HG900-11/HG701-11/HG700-11/ HG601-11/HG600-11/CN-E8000-11 |
| Connecting pin |  ★1 5.8 mm |
| Tool | TL-CN34, TL-CN28 |

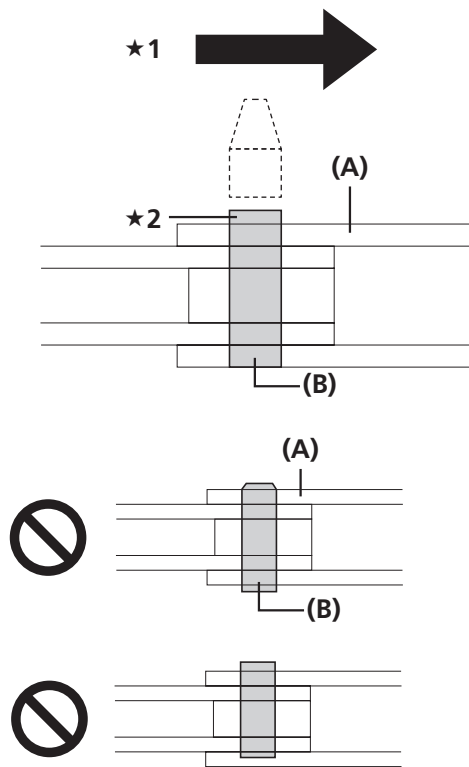
- If it is necessary to adjust the length of the chain due to a change in the number of sprocket teeth, make the cut in a place other than where the chain has been joined using a reinforced connecting pin. The chain will be damaged if it is cut at a place where it is joined with a reinforced connecting pin.



- (A) Link pin
- (B) Reinforced connecting pin

- When readjusting the length of the chain, be sure to insert the reinforced connecting pin from the same side that the chain cutter was inserted (the same direction as when the chain was cut).

- Make sure that the connecting pin is as shown in the illustrations after adjustment. (The pin will protrude slightly after the break off pin is removed)



- ★1 Travel direction of bicycle
- ★2 Slightly protruding

(A) Link surface
(B) Connecting pin

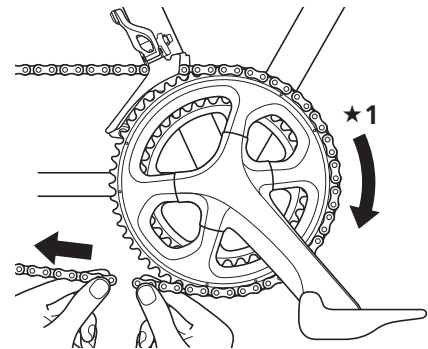
NOTE

Be sure to also inform users of the following:

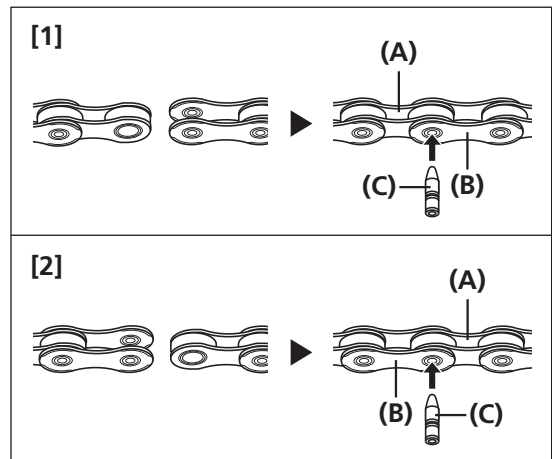
- CN-E8000-11 can be used only in combination with single front chainrings.
- The gears should be periodically washed with a neutral detergent. In addition, cleaning the chain with neutral detergent and lubricating it can be an effective way of extending the life of the gears and the chain.
- Products are not guaranteed against natural wear and deterioration from normal use and aging.
- For maximum performance we highly recommend Shimano lubricants and maintenance products.

For Installation to the Bicycle, and Maintenance:

- We strongly recommend setting the connecting pin in the hole of the outer link at the front end in the direction of chain movement, as in Fig. [1]. The chain's level of strength is enhanced compared to the method in Fig. [2].



★1 Direction of chain movement



(A) Inner link
(B) Outer link
(C) Connecting pin

For CN-HG901-11/HG900-11/HG701-11/HG700-11/
HG601-11/HG600-11/E8000-11

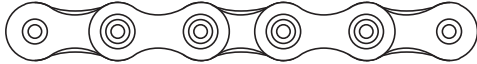
- In order to achieve good gear shifting performance, these have a forward side and a reverse side and must be fitted in the correct orientation.

- **Front (outer side)**

The side with the mark shown in the illustration is the front (outer side).



- **Reverse (inner side)**



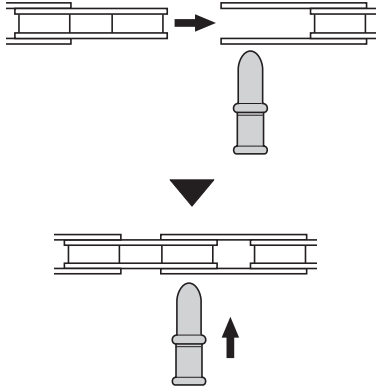
The actual product may differ from the illustration because this manual is intended mainly to explain the procedures for using the product.

INSTALLATION

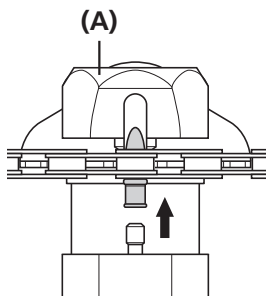
INSTALLATION

How to use

1. Push in

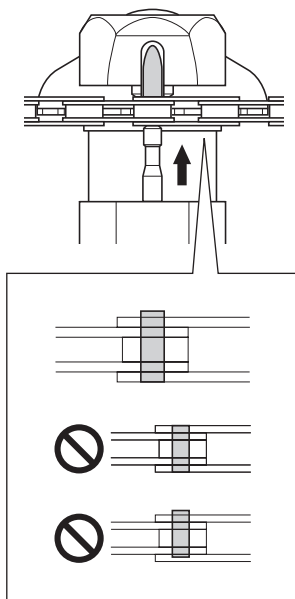


2. Press

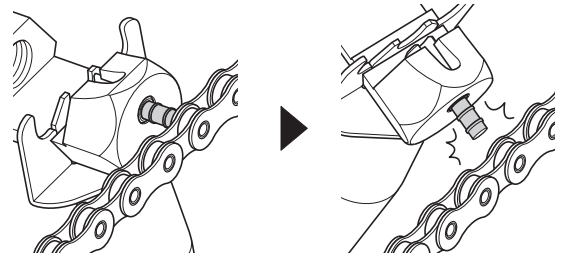


(A) Chain cutter

3. After pressing

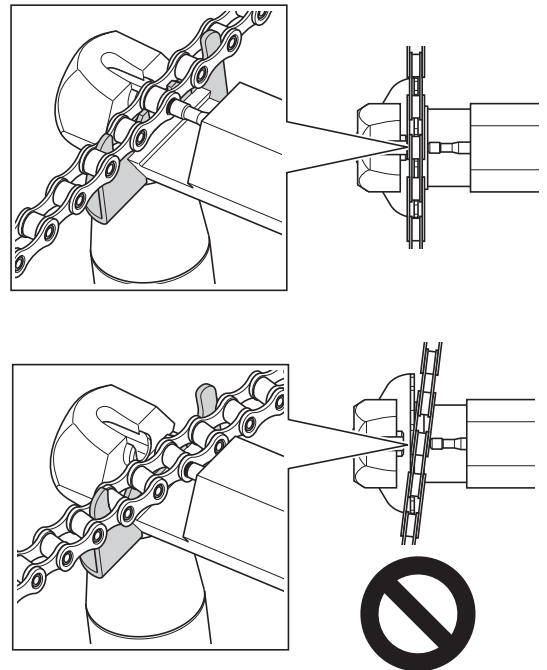


4. Break off the excess portion



NOTE

Set the chain on the chain cutter as shown in the figure when using the chain cutter. If the tool is used with the chain set incorrectly, the positioning plate will get damaged.



Chain length

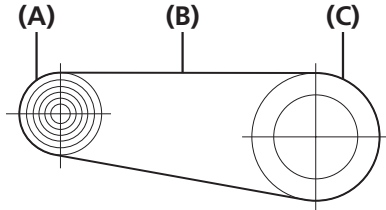
■ Rear derailleur for ROAD

Procedures for adjusting chain length vary by rear derailleur type.

SHADOW RD

1. Mount the chain on to the largest sprocket and the largest chainring.

Next, add 1-3 links to set the length of the chain.

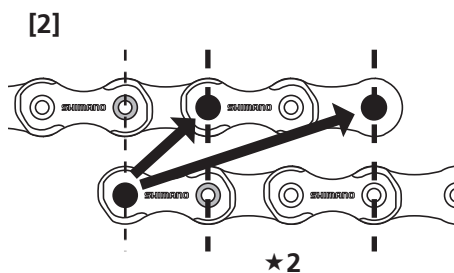
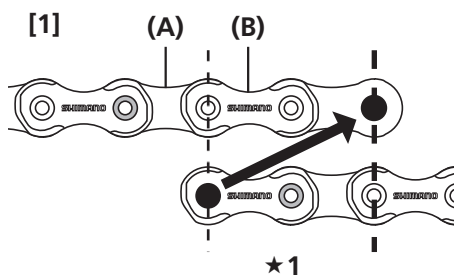


- (A) Largest sprocket
- (B) Chain
- (C) Largest chainring

When mounting the chain, if the inner links and outer links match (as in [1]), set it to a length with 2 links added.

If the inner links match together and the outer links match together (as in [2]), set it to a length with 1 or 3 links added.

When setting to the length with 1 link added (in [2]), if you are concerned about drive wandering after mounting the chain on the largest sprocket and largest chainring, set it to a length with another 2 links added.



★1 +2 links

★2 +1 link or +3 links

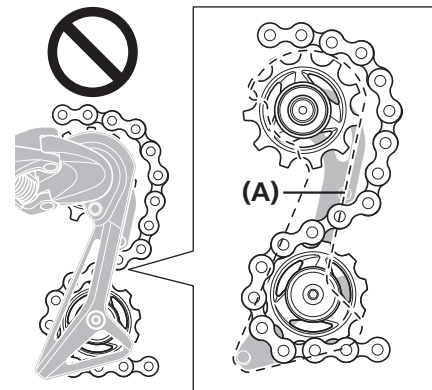
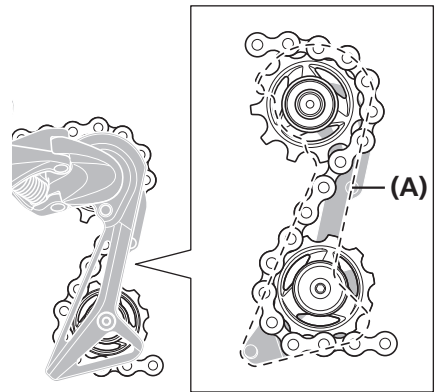
- (A) Inner link
- (B) Outer link

NOTE

The rear derailleur plate assembly is equipped with a pin or plate that prevents the chain from derailing.

When passing the chain through the rear derailleur, pass it through the rear derailleur body from the side of the chain derailment prevention plate as shown in the illustration.

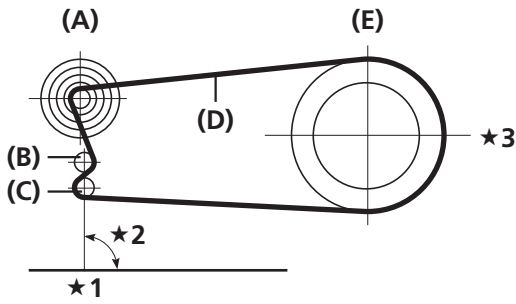
If the chain is not passed through the correct position, damage may be caused to the chain or rear derailleur.



- (A) Pin for preventing chain derailment

RD other than SHADOW RD

Using sprockets 27T and smaller

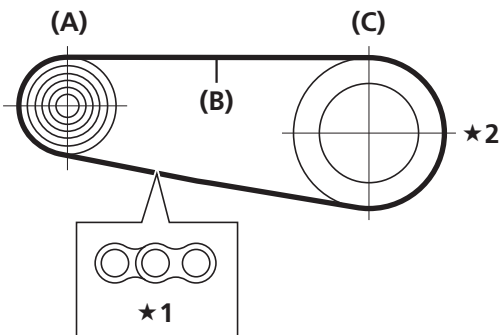


- ★1 Right angle to the ground
- ★2 90°
- ★3 Front double

- | | |
|-----|-------------------|
| (A) | Smallest sprocket |
| (B) | Guide pulley |
| (C) | Tension pulley |
| (D) | Chain |
| (E) | Largest chainring |

Using sprockets 28T and larger

1. Add 2 links. (With the chain engaged with the largest sprocket and the largest chainring)

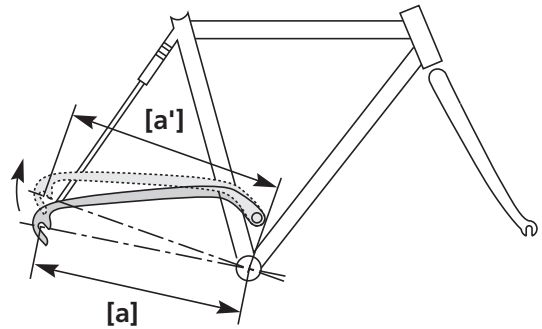


- ★1 +2 links
- ★2 Front double

- | | |
|-----|-------------------|
| (A) | Largest sprocket |
| (B) | Chain |
| (C) | Largest chainring |

■ Rear derailleur for MTB/Trekking

The length of [a] will vary depending on the movement of the rear suspension. Consequently, an excessive load may be placed on the drive system if the chain length is too short. The rear suspension operates and stops when dimension [a] is at its greatest extension.

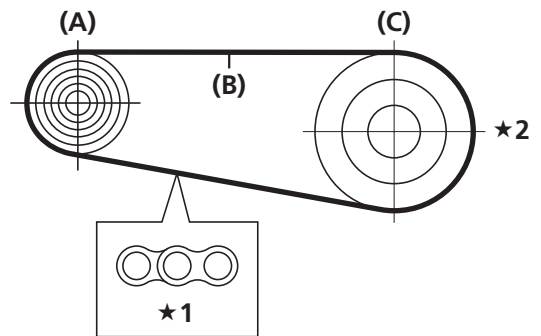


For triple/double front chainrings

1. Mount the chain on to the largest sprocket and the largest chainring. Next, add 2 links to set the length of the chain.

For single front chainrings

1. Set the chain on the largest sprocket and the front chainring. Next, add 2 links to set the length of the chain.



- ★1 +2 links
- ★2 Single/Double/Triple front chainrings

- | | |
|-----|-------------------|
| (A) | Largest sprocket |
| (B) | Chain |
| (C) | Largest chainring |

SHIMANO

SHIMANO NORTH AMERICA BICYCLE, INC.

One Holland, Irvine, California 92618, U.S.A. Phone: +1-949-951-5003

SHIMANO EUROPE B.V.

High Tech Campus 92, 5656 AG Eindhoven, The Netherlands Phone: +31-402-612222

SHIMANO INC.

3-77 Oimatsu-cho, Sakai-ku, Sakai-shi, Osaka 590-8577, Japan

Please note: specifications are subject to change for improvement without notice. (English)
© Feb. 2018 by Shimano Inc. ITP