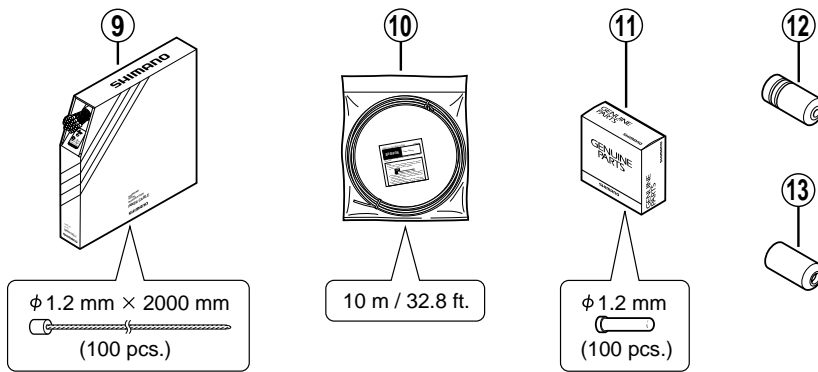
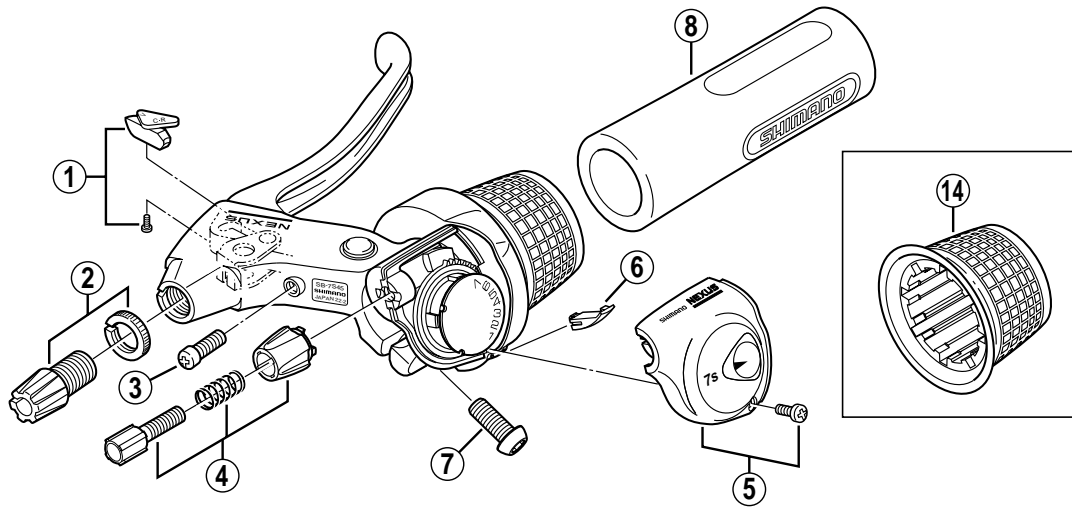


SHIMANO NEXUS Revo-Shift Lever SB-7S45 For 7-Speed



SL-7S10

| ITEM NO. | SHIMANO CODE NO. | DESCRIPTION | INTERCHANGEABILITY |
|----------|------------------|---|--------------------|
| 1 | Y-8TS 98010 | Adjustment Block & Screw | |
| 2 | Y-8TS 98030 | Brake Cable Adjusting Bolt (M10 x 16) & Nut | |
| 3 | Y-89E 05010 | Reach Adjusting Screw (M4 x 10.8) | |
| 4 | Y-61W 98030 | Cable Adjusting Bolt Unit | A |
| 5 | Y-65R 98010 | Indicator Cover & Fixing Screw | |
| 6 | Y-65L 19000 | Wire Cover | |
| 7 | Y-8BS 10000 | Clamp Bolt (M6 x 14.8) | |
| 8 | Y-61X 14010 | Half Grip (φ 22.2 mm / Black) | A |
| | Y-61X 14000 | Half Grip (φ 22.2 mm / Gray) | A |
| 9 | Y-600 98510 | Inner Cable Box (Stainless / 100 pcs.) for Shift | A |
| 10 | Y-6Z2 98100 | SIS-SP40 Outer Casing (Black) for Shift | |
| | Y-6Z2 98110 | SIS-SP40 Outer Casing (High-Tech Gray) for Shift | |
| 11 | Y-620 98030 | Inner End Caps (φ 1.2 mm / 100 pcs.) | A |
| 12 | Y-6ZA 98010 | SIS-SP40 Outer Caps (Revo-Shift Lever Side / Black / φ 6 mm / 100 pcs.) | |
| 13 | Y-6Z1 90010 | SP40 Sealed Outer Cap (Cassette Joint Side / Silver / φ 6 mm) | |
| 14 | Y-65R 01000 | Shift Actuator (Black) | |

The table indicates the adaptability of conventional parts to SB-7S45.

9907-1682A

A : Same parts.

Absence of mark indicates non-interchangeability.

Specifications are subject to change without notice.

SHIMANO