

# SHIMANO

## SHIMANO EUROPA

Industrieweg 24 NL-8071 CT Nunspeet, Holland  
Phone 31-3412-72222

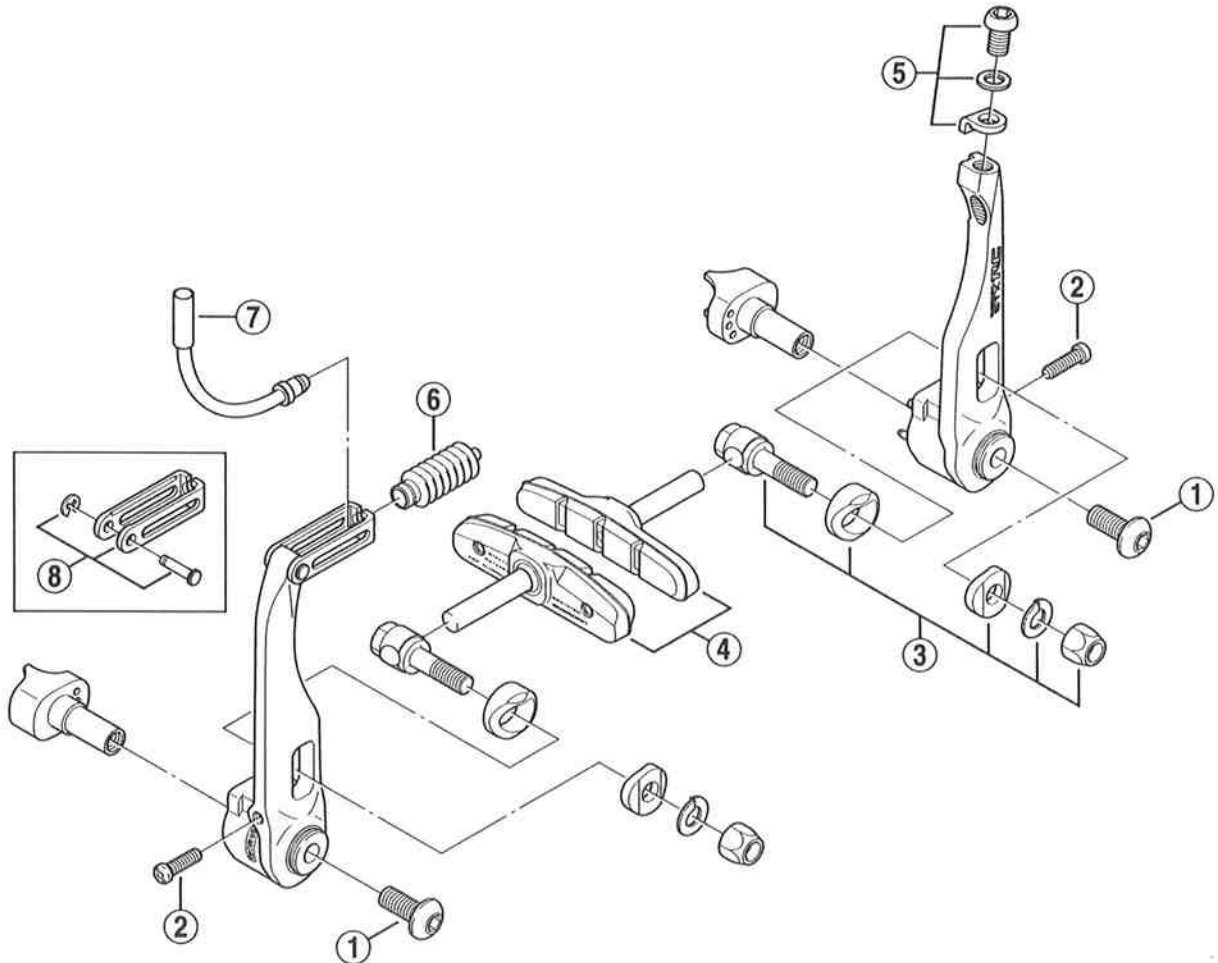
## SHIMANO AMERICAN CORPORATION

One Shimano Drive, P.O. Box 19815, Irvine,  
California U.S.A. 92623-9815 Phone 714-951-5003

## Small parts list for after market.

- You may photocopy this sheet and use it as an order form.
- Sie können dieses Blatt kopieren und als Bestellformular verwenden.
- Vous pouvez photocopier cette feuille et l'utiliser comme bon de commande.
- Dit blad kan gecopieerd en als bestelformulier gebruikt worden.
- Potete fotocopiare questo foglio e usarlo come modulo di commissione.

## SHIMANO STX-RC V-Brake BR-MC40



Q'TY	ITEM NO.	SHIMANO CODE NO.	DESCRIPTION
	1	84F 1010	Link Fixing Bolt (M6 × 16)
	2	8BP 1600	Spring Tension Adjustment Screw
	3	8BP 9801	Shoe Fixing Bolt Unit
	4	8CF 9810	M70/T2 Brake Shoe Set (10 pairs)
	5	8BP 9802	Cable Fixing Bolt Unit (M6 × 11.5)
	6	8BP 1400	Boot
	7	8AA 9807	Inner Cable Lead Unit (90°)
		8AA 9808	Inner Cable Lead Unit (135°)
		8AA 9812	Inner Cable Lead Unit (45°)
	8	8AA 9809	Inner Cable Lead Hook Unit (Silver)