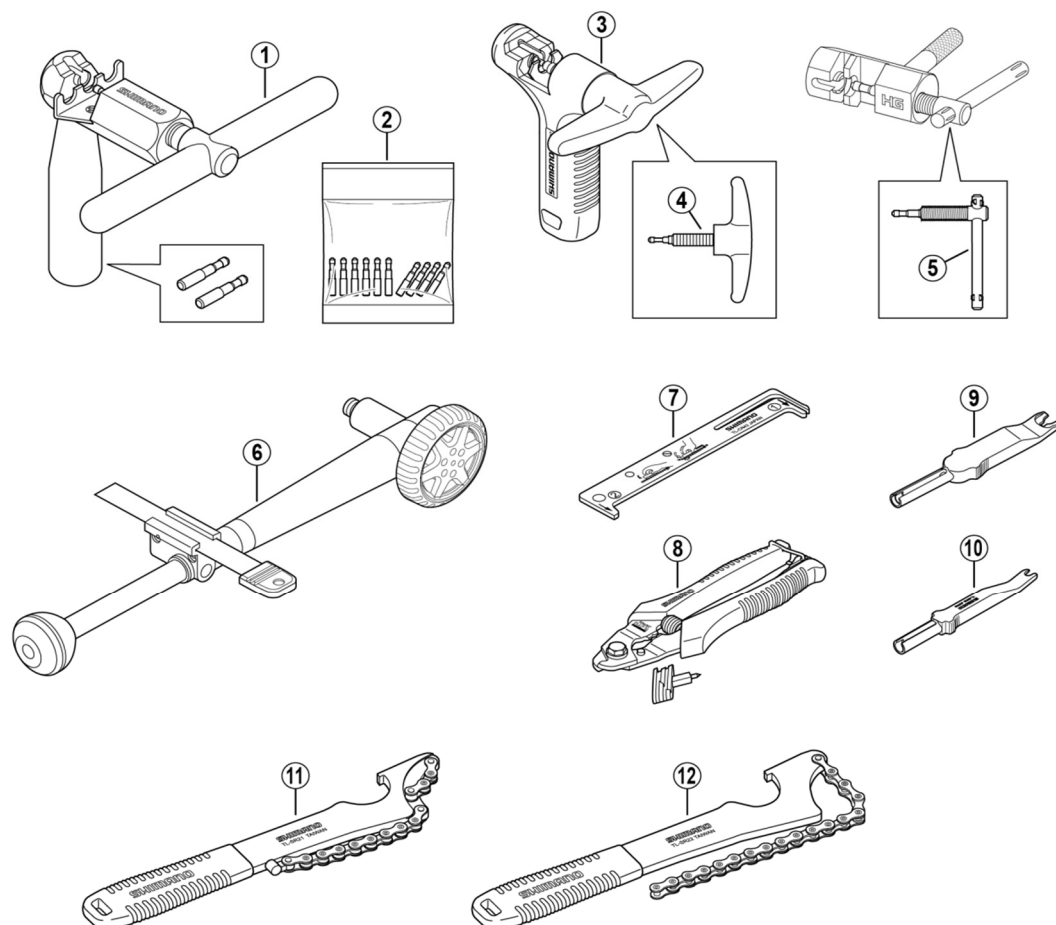


SPECIAL TOOL (4)

Others



ITEM NO.	SHIMANO CODE NO.	DESCRIPTION
1	Y13098710	TL-CN35 Chain Cutter w/Spare Pins (2 pcs.) 9 - 12 speed Compatible
	Y13098550	TL-CN34 Chain Cutter w/Spare Pins (2 pcs.) 6 - 11 speed Compatible
2	Y13098551	Spare Pins (10 pcs.) for TL-CN35/CN34/CN33
3	Y13098700	TL-CN29 Chain Cutter for IG / HG / UG Chain (9 - 12 speed Compatible)
	Y13098500	TL-CN28 Chain Cutter for IG / HG / UG Chain (6 - 11 speed Compatible)
4	Y13098190	Spare Arrow (Option) for TL-CN29/CN28/CN27
5	Y13098170	Spare Arrow (Option) for TL-CN23
6	Y13098270	TL-RD11 Dropout Alignment Tool
7	Y12160000	TL-CN42 Chain Wear Indicator
8	Y09898010	TL-CT12 Cable Cutter w/Liner needle
9	Y7CY02000	TL-EW01 Plug Tool
10	Y6VE16000	TL-EW02 Plug Tool
*	Y13098730	TL-SR24 Sprocket Removal Tool for 10 - 12 Speed Chain
* 11	Y13098510	TL-SR23 Sprocket Removal Tool for 6 - 11 Speed Chain
*	Y12189000	TL-SR21 Sprocket Removal Tool for 6 - 10 Speed Chain
* 12	Y12189010	TL-SR22 Sprocket Removal Tool for Single Speed Chain

Jul.-2018-3637B
© Shimano Inc. I

Specifications are subject to change without notice.

SHIMANO