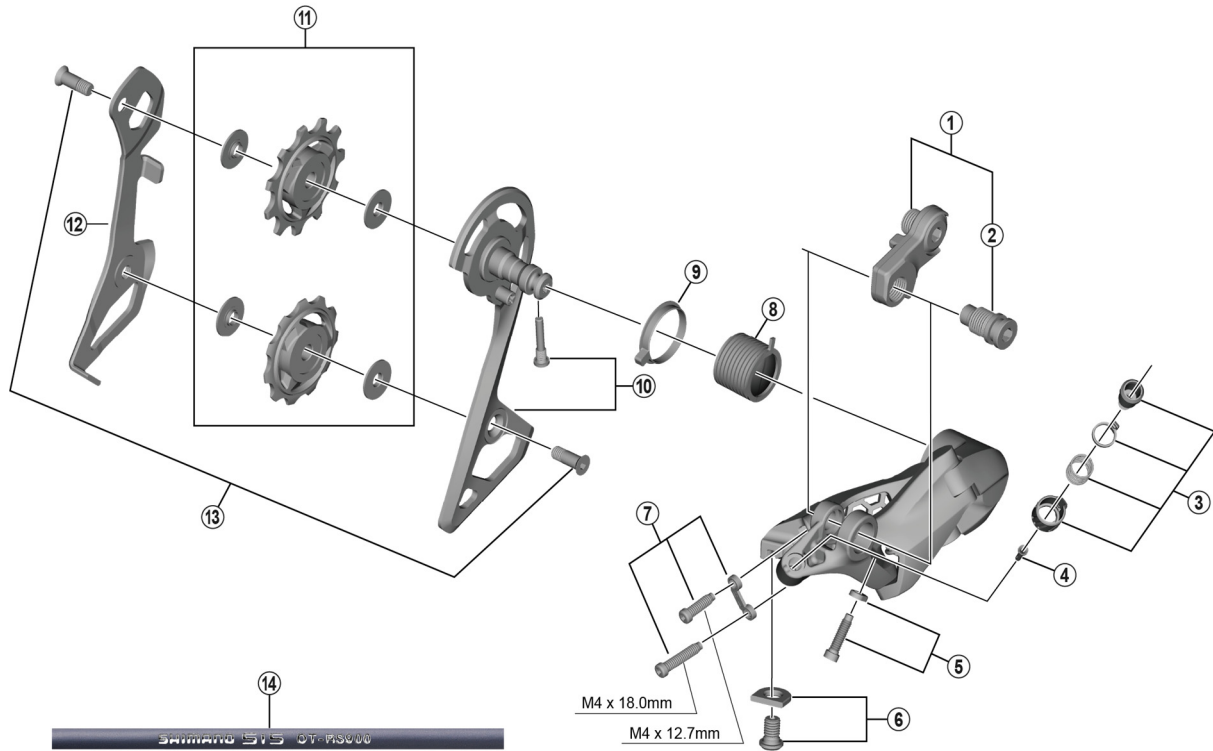


# ULTEGRA Rear Derailleur RD-R8000-SS (11-speed)



ITEM NO.	SHIMANO CODE NO.	DESCRIPTION	RD-R9100		RD-R8000-SS	
			INTERCHANGEABILITY		INTERCHANGEABILITY	
1	Y3E998020	Bracket Axle Unit (for normal type)	B	A		
2	Y3E958000	B-Axle 2 (for Direct Mount type)	A	A		
* 3	Y3E998030	Cable Adjusting Bolt Unit	B	A		
4	Y5PV48000	Cover with tongue	A	A		
5	Y5ZR98040	End Adjusting Bolt (M4 x 15) & Plate	A			
6	Y3E998050	Cable Fixing Bolt & Plate		A		
7	Y3E998060	Stroke Adjusting Bolts & Plate		A		
8	Y5PV17000	P-Tension Spring	A	A		
9	Y5PV24000	P-Seal Ring	A	A		
10	Y3E998070	Outer Plate & Fixing Bolt	B			
11	Y3E998010	Tension & Guide Pulley Set		A		
12	Y3E906000	Inner Plate	B			
13	Y5V598140	Pulley Bolt (2 pcs.)	B	A		
14	Y0BM98011	OT-RS900 (Black) 240 mm x 10 pcs. (with Sealed Outer Cap & Outer Cap with Long Tongue)	A	A		
	Y0BM98021	OT-RS900 (White) 240 mm x 10 pcs. (with Sealed Outer Cap & Outer Cap with Long Tongue)	A	A		
	Y0BM98031	OT-RS900 (Red) 240 mm x 10 pcs. (with Sealed Outer Cap & Outer Cap with Long Tongue)	A	A		
	Y0BM98041	OT-RS900 (High-tech gray) 240 mm x 10 pcs. (with Sealed Outer Cap & Outer Cap with Long Tongue)	A	A		

A: Same parts.

B: Parts are usable, but differ in materials, appearance, finish, size, etc.

Absence of mark indicates non-interchangeability.

Specifications are subject to change without notice.

Nov.-2017-4284A

© Shimano Inc. I

# SHIMANO