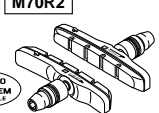


# Cartridge-Type BRAKE SHOES for ATB (1)


**1** **M70R2**



**For V-BRAKE Brake**

**Fits:** BR-M970 BR-M960  
BR-M951 BR-M950  
BR-M739 BR-M510


**2** **For Ceramic Rim**



**For V-BRAKE Brake**

**Fits:** BR-M960 BR-M951  
BR-M950 BR-M750  
BR-M739

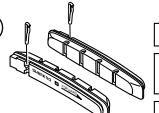
**3** **M70R2**



**For V-BRAKE Brake**

**Fits:** BR-M760 BR-M750  
BR-M739

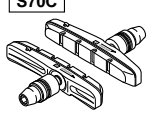
**7** **M70R2**  
**M70R2 (Severe Condition)**  
**For Ceramic Rim**



**For V-BRAKE Brake**

**Fits:** BR-M970 BR-M960 BR-M951 BR-M950  
BR-M760 BR-M750 BR-M739 BR-M510  
BR-M431 BR-M430

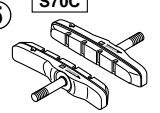
**4** **S70C**



**For V-BRAKE Brake**

**Fits:** BR-M760 BR-M580  
BR-MX70

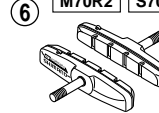
**5** **S70C**



**For V-BRAKE Brake**

**Fits:** BR-M750 BR-M739  
BR-M510

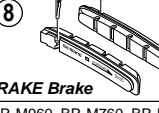
**6** **M70R2** **S70C**



**For V-BRAKE Brake**

**Fits:** BR-M431 BR-M430

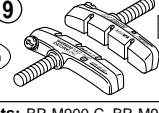
**8** **S70C**



**For V-BRAKE Brake**

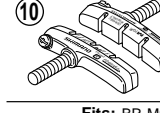
**Fits:** BR-M960 BR-M760 BR-M750 BR-M739  
BR-M580 BR-M510 BR-M431 BR-M430  
BR-MX70

**9** **M70R**



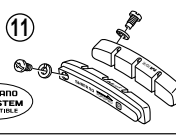
**Fits:** BR-M900-C BR-M900  
BR-M737 BR-M565-E

**10** **M70R for Ceramic Rim**



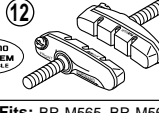
**Fits:** BR-M900-C BR-M900  
BR-M737 BR-M565-E

**11** **M70R**  
**M70R for Ceramic Rim**



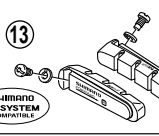
**Fits:** BR-M900-C BR-M900  
BR-M737 BR-M565-E

**12** **M65T**



**Fits:** BR-M565 BR-M565-E  
BR-MC33 BR-MC33-E

**13** **M65T**



**Fits:** BR-M565 BR-M565-E  
BR-MC33 BR-MC33-E

## ■ Brake shoe characteristics

	Cartridge shoe	M-system	Length	Threaded shoe post	Brake shoe characteristics
<b>M70R2</b>	○	○	70 mm	○	A race shoe that performs well in dry and wet conditions, and is also highly resistant to wear may give off noise.
<b>M70R2 (Severe Condition)</b>	○	○	70 mm	○	Shoe thickness is 1 mm thicker than M70R2.
<b>Ceramic</b>	○	—	70 mm	○	Specific shoe for ceramic rims.
<b>S70C</b>	○	—	70 mm	○	Performs well in dry conditions and tends to be low noise. Wears in muddy conditions.
<b>M70R</b>	○	○	70 mm	—	A race shoe that performs well in dry and wet conditions.
<b>M65T</b>	○	○	60 mm	—	Performs especially well in wet conditions and may pass DIN standards. Faster rim wear and tends to fade.

ITEM NO.	SHIMANO CODE NO.	DESCRIPTION
1	<b>Y-8E4 9801A</b>	M70R2 (BR-M970) Brake Shoe Set (Pair)
	<b>Y-8CL 9803A</b>	M70R2 (BR-M960) Brake Shoe Set (Pair)
	<b>Y-8AB 98010</b>	M70R2 (BR-M950) Brake Shoe Set (Pair)
2	<b>Y-8CL 9804A</b>	BR-M960 Brake Shoe Set (Pair) for Ceramic Rim
	<b>Y-8AA 98030</b>	BR-M950 Brake Shoe Set (Pair) for Ceramic Rim
	<b>Y-8AA 98100</b>	BR-M739 Brake Shoe Set (Pair) for Ceramic Rim
3	<b>Y-8BW9801A</b>	M70R2 (BR-M750) Brake Shoe Set (Pair)
4	<b>Y-8CX 9801A</b>	S70C (BR-M760) Brake Shoe Set (Pair)
	<b>Y-8DA 9801A</b>	S70C (BR-M580) Brake Shoe Set (Pair)
5	<b>Y-8GV 98020</b>	S70C (BR-M750) Brake Shoe Set (Pair)
6	<b>Y-8C8 98030</b>	M70R2 (BR-M430) Brake Shoe Set (Pair)
	<b>Y-8C8 98020</b>	S70C (BR-M430) Brake Shoe Set (Pair)
7	<b>Y-8AA 98020</b>	M70R2 (BR-M950/M739) Brake Shoes & Fixing Pins (Pair)
	<b>Y-8AA 98200</b>	M70R2 (Severe Condition) Brake Shoes & Fixing Pins (Pair)
	<b>Y-8AA 98040</b>	BR-M950/M739 Brake Shoes & Fixing Pins (Pair) for Ceramic Rim
8	<b>Y-8AA 98130</b>	S70C (BR-M750) Brake Shoes & Fixing Pins (Pair)
9	<b>Y-83X 98010</b>	M70R (BR-M737) Brake Shoe Set (4 pcs.)
10	<b>Y-8BG 98100</b>	M70R Brake Shoe Set (4 pcs.) for Ceramic Rim
11	<b>Y-83X 98020</b>	M70R Brake Shoes & Fixing Screws (2 pairs)
	<b>Y-83X 98070</b>	M70R Brake Shoes & Fixing Screws (2 pairs) for Ceramic Rim
12	<b>Y-8BA 98010</b>	M65T Brake Shoe Set (4 pcs.)
13	<b>Y-8BA 98020</b>	M65T Brake Shoes & Fixing Screws (2 pairs)

0612-1325L

Specifications are subject to change without notice.

# SHIMANO