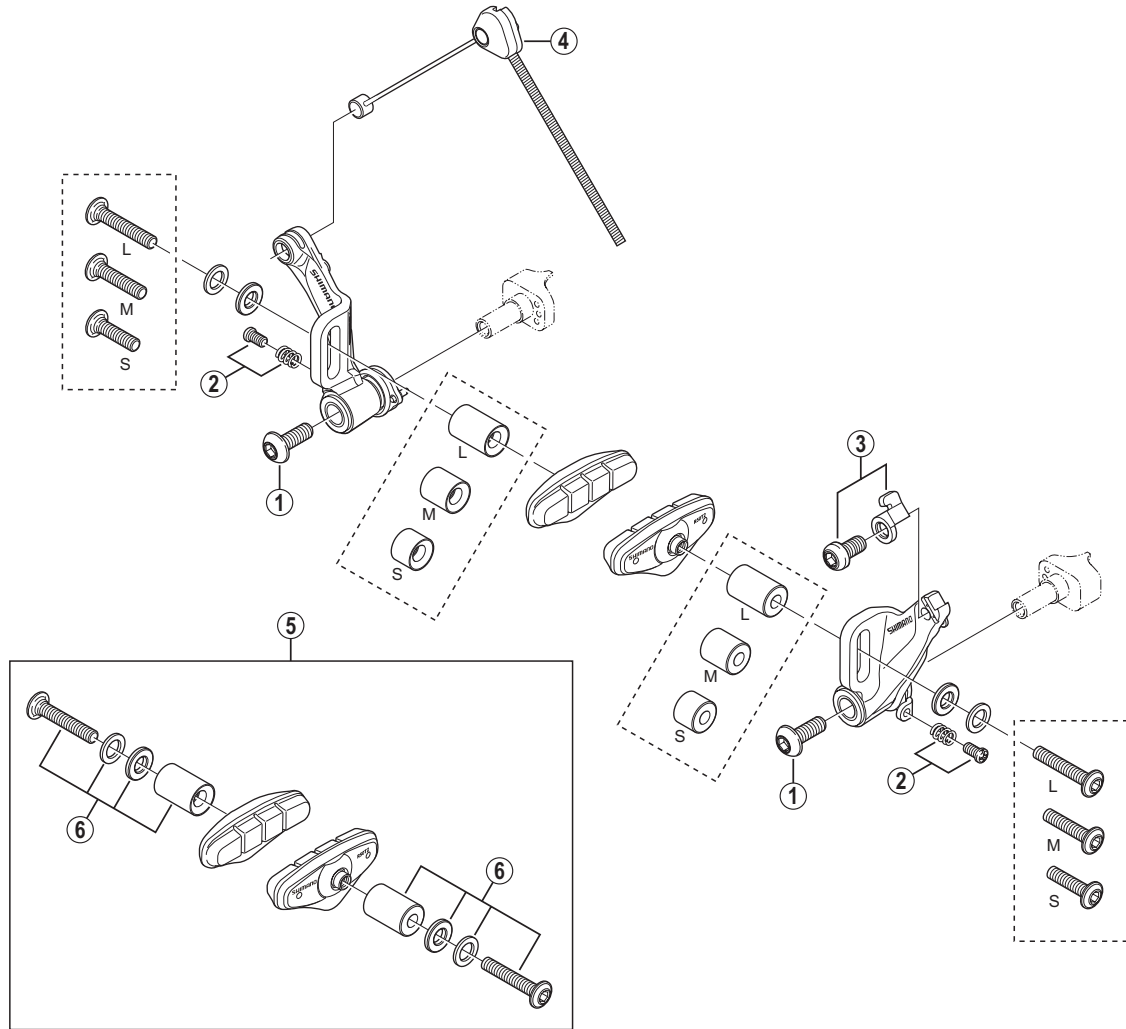


CYCLOCROSS Cantilever Brake BR-CX50



BR-CX70
BR-M421 (V-BRAKE)

ITEM NO.	SHIMANO CODE NO.	DESCRIPTION	INTERCHANGE-ABILITY
1	Y82N18500	Link Fixing Bolt (M6 x 25)	B A
	Y82N18800	Link Fixing Bolt (M6 x 16)	B A
2	Y8B098010	Spring Tension Adjustment Screw (M4 x 7) & Stopper	A A
3	Y8K498010	Cable Fixing Bolt (M6 x 11.5) & Plate	A
4	Y8K598010	Unit Link	A
5	Y8K598020	R50T2 Brake Shoe Set (Pair) / Shoe Fixing Bolts (L) & R-Washers (L)	B
	Y8K598030	R50T2 Brake Shoe Set (Pair) / Shoe Fixing Bolts (M) & R-Washers (M)	B
	Y8K598040	R50T2 Brake Shoe Set (Pair) / Shoe Fixing Bolts (S) & R-Washers (S)	B
*	Y8K598050	Shoe Fixing Bolt (L) & R-Washer (L) Unit	B
* 6	Y8K598060	Shoe Fixing Bolt (M) & R-Washer (M) Unit	B
*	Y8K598070	Shoe Fixing Bolt (S) & R-Washer (S) Unit	B

A: Same parts.
B: Parts are usable, but differ in materials, appearance, finish, size, etc.
Absence of mark indicates non-interchangeability.

May-2013-3222A
© Shimano Inc. I

Specifications are subject to change without notice.

SHIMANO